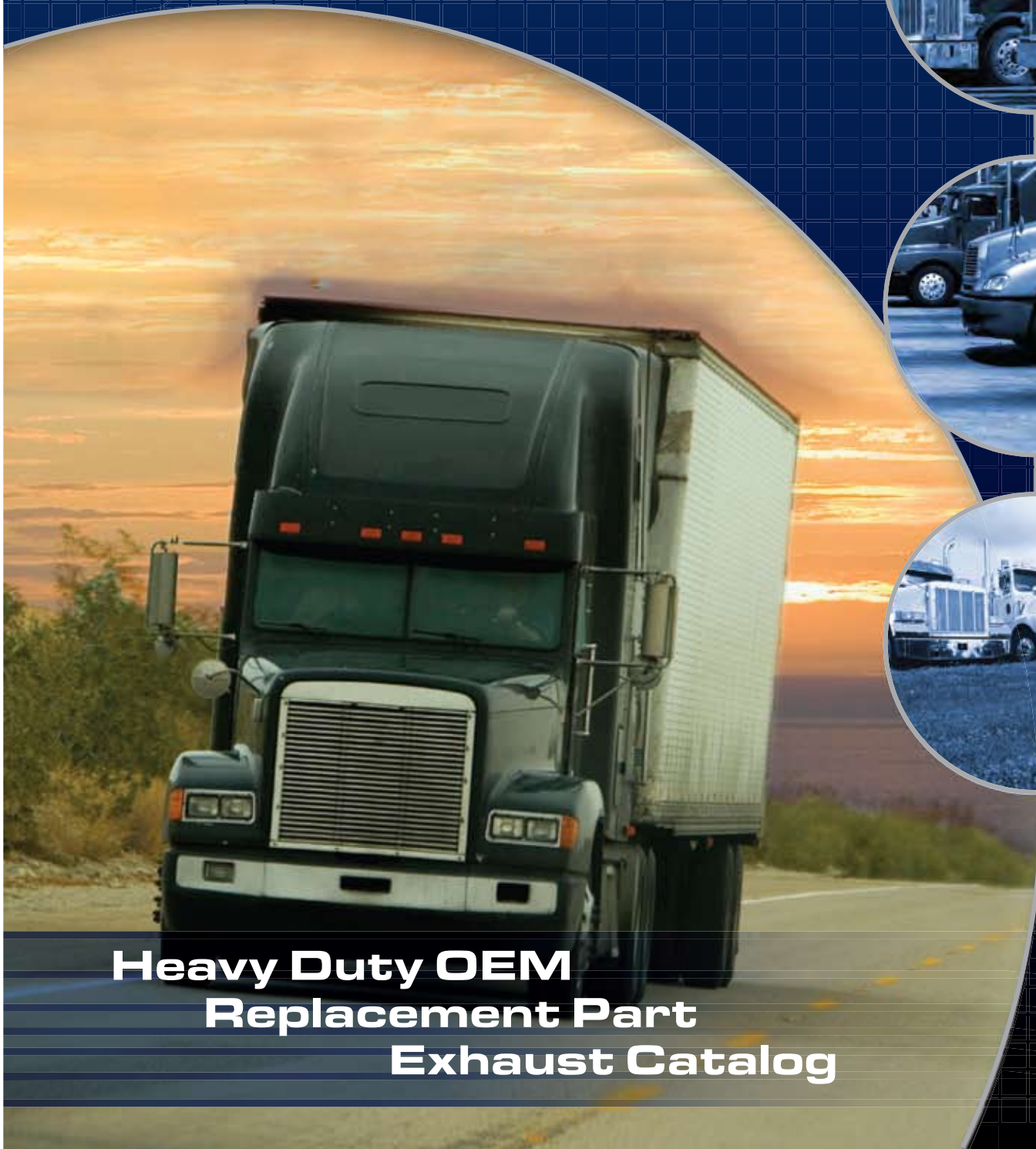


DYNAFLEX PRODUCTS
Diesel Exhaust Technologies 
'Forming a better connection'



**Heavy Duty OEM
Replacement Part
Exhaust Catalog**

VERSION 2
2008
OEM 08V2

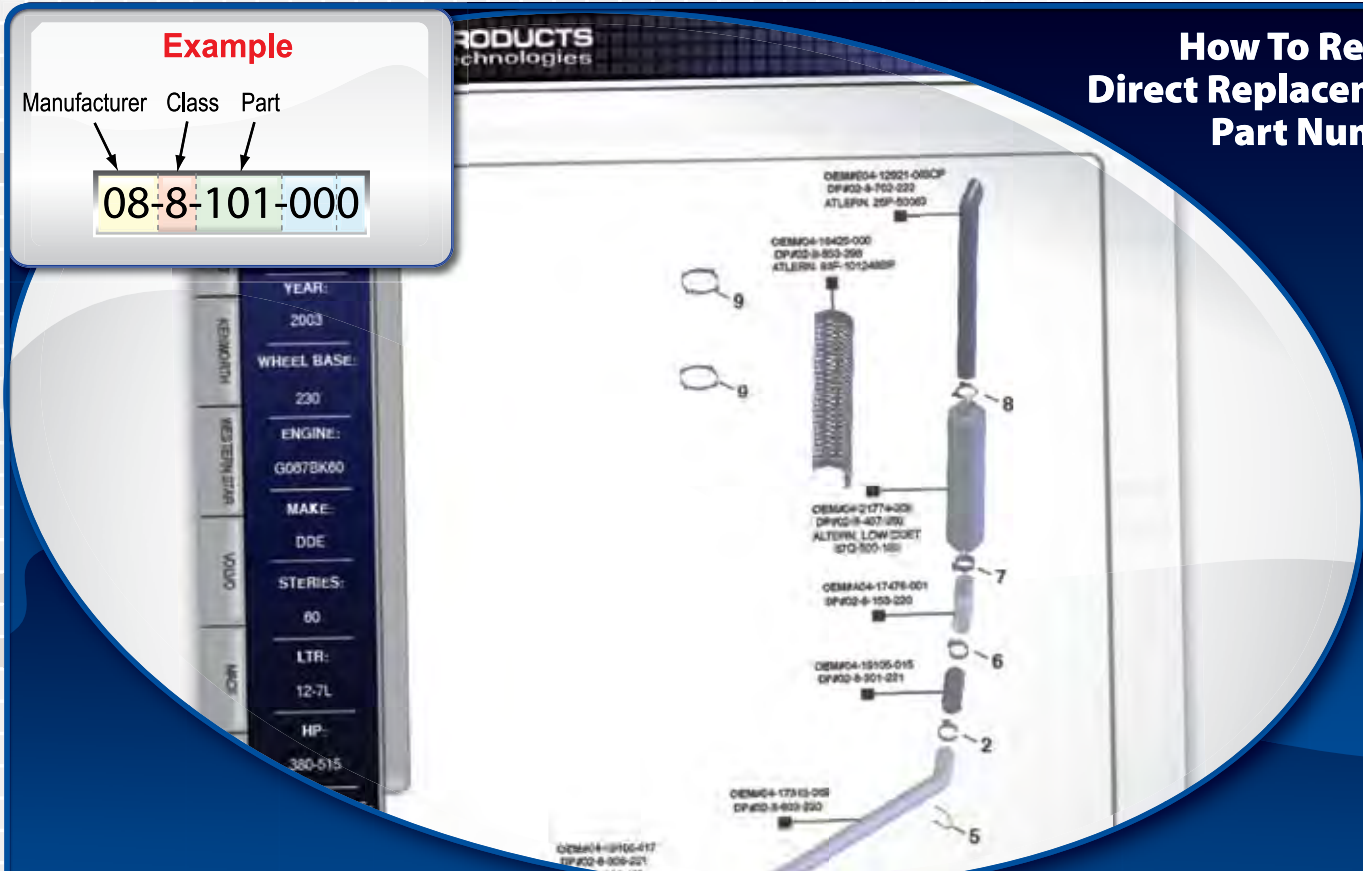
External Version

Example

Manufacturer Class Part

08-8-101-000

How To Read A Direct Replacement Part Number



Manufacturer		GVW Class		Part		Internal Number Sequences	
Ref	ON Highway 01-29 Off Highway 51-74	Ref	0-9	Ref	000-999	01-99	0-9
0		0	Off Highway	000-999	Accessories		
01	FORD	1	6000 lbs & less	100-149	Turbo outlet tubes		
02	FREIGHTLINER	2	6001 - 10000	150-299	Elbows		
03	GMC	3	10001 - 14000	300-399	Flex tubes		
04	HINO	4	14001 - 16000	400-499	Mufflers		
05	INTERNATIONAL	5	16001 - 19500	500-539	Spools		
06	ISUZU	6	19501 - 26000	540-599	(Y) Tubes		
07	KENWORTH	7	26001 - 33000	600-699	Intermediate Tubes		
08	MACK	8	33001 & 150,000	700-849	Top Stacks		
09	PETERBILT			850-899	Shields		
10	STERLING			900-999	Enviro Mufflers		
11	VOLVO						
12	WESTERN STAR						
51	CATERPILLAR						
52	CASE						
53	DAEWOO						
54	MASSEY FERGUSON						
55	GROVE						
56	JCB						
57	JOHN DEERE						
58	HITACHI						
59	HYSTER						
60	IMCO						
61	INGERSOLL RAND						
62	KALMAR						
63	KOMATSU						
64	LEIBHERR						
65	mitsubishi						
66	SAMSUNG						
67	TEREX						
68	VOLVO						

Numeric 9 Digit Numbers Only

QUICK ONE HANDED ENTRY VIA KEYPAD.

FREIGHTLINER

FL1701	FLD 120 Dual Exhaust ...6	Century Class SE.....11	Medium Duty Business	Columbia SE.....20
Business Class Medium Duty.2	Medium Duty BC.....7	Columbia single.....12	Class GVM 48000.....16	Corondo Exhaust.....21
Business Class M2.....3	Century Class (1998).....8	FL 112DAY CAB SE.....13	FLD 120 SE.....17	Corondo.....22
Century Class(2001).....4	Columbia 9	Classic.....14	120 Dual Exhaust.....18	FL 112 SE.....23
Century Class T Single.....5	ColumbiaDual Exhaust..10	CL 120 Columbia SE....15	Classic Dual Exhaust....19	

FREIGHTLINER

PETERBILT

330 DAY CAB SE.....24	378.....29	379 DAY CAB.....34	378 Single Exhaust.....38
330 MID Range MD.....25	379x Unibuilt Ultra CAB...30	379 Unibuilt Horizontal..35	
385 DAY CAB.....26	377.....31	379 DAY CAB Horizontal	
379 Unibuilt.....27	386.....32	Exhaust.....36	
387.....28	387 SE.....33	379 Unibuilt.....37	

PETERBILT

KENWORTH

T300 Medium DUTY.....39	W903L2 Aero CAB.....43	W900L Aero CAB.....48	T800 2H Air Ride CAB..52	T800 Extended DAY
T300 MediumDutyClass 3...40	W900L Aero CAB.....44	T603 Aero CAB.....49	T800 SE.....53	CAB.....56
T300 MediumDutyClass 7...41	T800 Extended DAY CAB.45	T603 Aero CAB SE.....50	T600 SE.....54	W900I Dual Exhaust
W903L2 Aero CAB.....42	T603 Aero CAB46	T800 Extended DAY	W900B.....55	60 Engine.....57
W903L2 Aero CAB.....43	T2000.....47	CAB.....51		T800 SE.....58

KENWORTH

WESTERNSTAR

4900EX(2003).....59	64TT 780 Dual Exhaust..64		
4900SA Dual Exhaust.....60			
4900 Heritage CAB.....61			
4900EX(2007).....62			
4900EX(2008).....63			

WESTERN STAR

VOLVO

VNL 64T 780 Dual Exhaust.....65	VNM 64T DAY CAB Single Exhaust(2004).....67		
VNM 64T DAY CAB Single Exhaust(2003).....66	VNM 64T Single Exhaust(2004).....68		

VOLVO

MACK

CH612 DAY CAB Single....69	CV71Granit DAY CAB Single Roll Off.....72	Dump Truck74	
CH 613 DAY CAB Single Exhaust(2001).....70	460 CX613 Dual Exhaust.....73	460 CX613 Dual Exhaust.....75	
CH 613 DAY CAB Single Exhaust(1997).....71	CH613 Single Exhaust		

MACK

INTERNATIONAL

4700 Medium Duty Truck...76	9200i Prosleep Single Exhaust.....81	Eagle 9400i Single Exhaust.....84	
4300 Horizontal Exhaust....77	DAY CAB 9100i Single Exhaust.....82	9400i Single Exhaust...85	
4400 Horizontal Exhaust....78	8100 DAY CAB.....83		
99001 Eagle.....79			
9400i Single Exhaust.....80			

INTERNATIONAL

STERLING

A 9500 DAY CAB Single Exhaust.....86	Single Exhaust.....88		
9500 DAY CAB Single Exhaust Muffler.....87	LT 8500.....89		
AT9500 DAY	AT9500 DAY CAB.....90		
	L8513.....91		
	LT9500.....92		

STERLING

FORD

F650 XL Super Duty.....93			
F650 XL Super Duty Crew.....94			

FORD

HINO

Medium Duty FE2620 (2003).....95			
Medium Duty FE2620 (2002).....96			

HINO



6466 Gayhart St.
City of Commerce,
CA 90040, U.S.A.

FREIGHTLINER

PETERBILT

KENWORTH

WESTERN STAR

VOLVO

MACK

INTERNATIONAL

STERLING

FORD

HINO

MODEL:
FL70

CLASS:

7

YEAR:

2000

WHEEL BASE:

252

ENGINE SERIAL:

45941989

ENGINE MAKE:

CUMMINS

MODEL/SERIES:

ISC

LTR:

8.3

HP:

225

WHEEL CONFIG:



OE NUMBER QUOTED FOR REFERENCE ONLY

1.) OEM # 681-492-06-40
DP # 02-7-004-151

4.) OEM # 04-19104-018
DP # 02-7-307-151

2.) OEM # 04-16566-001
DP # 02-7-084-159

5.) OEM # A04-09520-000
DP # 02-7-028-155

3.) OEM # 04-19249-001
DP # 02-7-058-150

6.) OEM # 23-09132-064
DP # 02-7-090-151

NOTE: Some of Dynaflex OEM Replacement Parts are Universally sized to accommodate a wide range of application and may not be an exact replica of your OEM part. But they will not effect fit and function, typically this applies to tail pipes and flex units.

FREIGHTLINER

PETERBILT

KENWORTH

WESTERN STAR

VOLVO

MACK

INTERNATIONAL

STERLING

FORD

HINO

MODEL:
BUSINESS CLASS
MEDIUM DUTY

CLASS:

7

YEAR:

2005

WHEEL BASE:

252

ENGINE SERIAL:

KAL87459

ENGINE MAKE:

CAT

MODEL/SERIES:

CAT C7

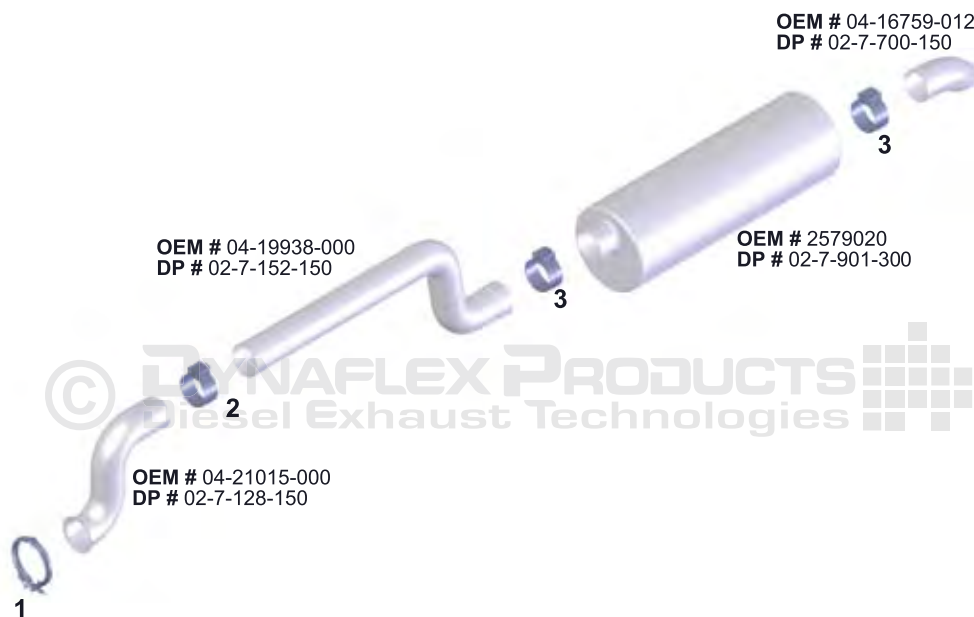
LTR:

7.2L

HP:

190-350@1440 RPM

WHEEL CONFIG:



OE NUMBER QUOTED FOR REFERENCE ONLY

1.) OEM # 681-492-00-40
DP # 02-8-003-151

2.) OEM # 04-20164-000
DP # 02-7-051-151

3.) OEM # TCP-A40AFE
DP # 02-7-059-150

NOTE: Some of Dynaflex OEM Replacement Parts are Universally sized to accommodate a wide range of application and may not be an exact replica of your OEM part. But they will not effect fit and function, typically this applies to tail pipes and flex units.

FREIGHTLINER

PETERBILT

KENWORTH

WESTERN STAR

VOLVO

MACK

INTERNATIONAL

STERLING

FORD

HINO

MODEL:
BUSINESS CLASS M2

CLASS:

7

YEAR:

2004

WHEEL BASE:

150

ENGINE SERIAL:

0906373051

ENGINE MAKE:

MERCEDES BENZ

MODEL/SERIES:

906

LTR:

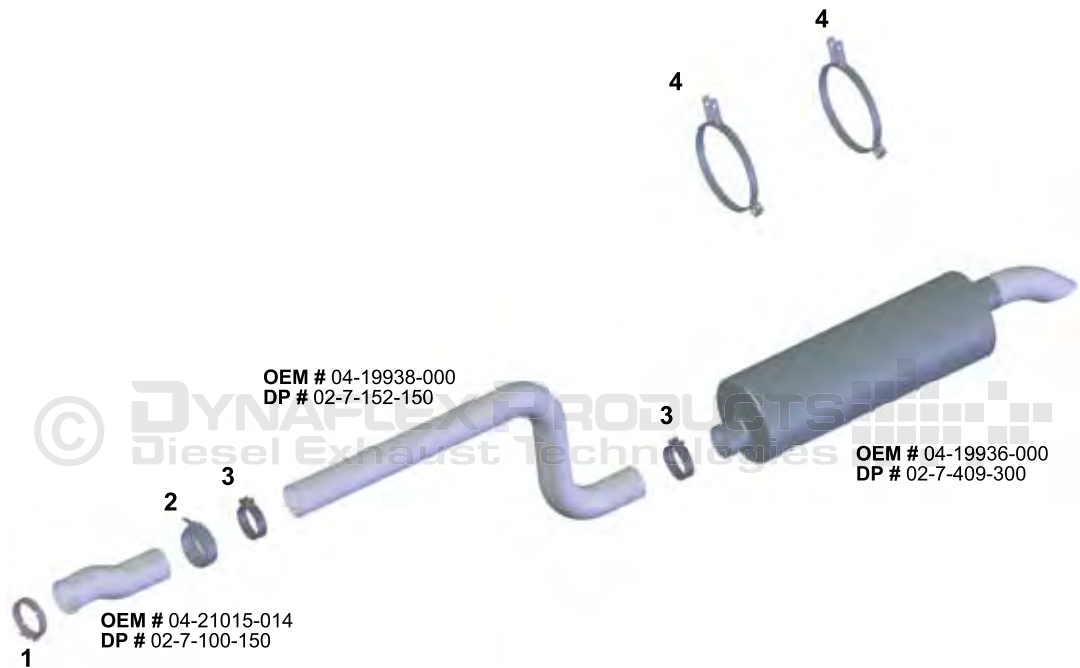
6.37

HP:

250

WHEEL CONFIG:

2X2



OE NUMBER QUOTED FOR REFERENCE ONLY

1.- OEM # A04-19184-000
DP # 02-7-001-151

2.- OEM # 04-20164-000
DP # 02-7-051-151

3.- OEM # TCP-A40AFE
DP # 02-7-059-150

4.- OEM # A04-20919-000
DP # 02-7-041-305

NOTE: Some of Dynaflex OEM Replacement Parts are Universally sized to accommodate a wide range of application and may not be an exact replica of your OEM part. But they will not effect fit and function, typically this applies to tail pipes and flex units.

FREIGHTLINER

MODEL:
CENTURY CLASS

CLASS:

8

YEAR:

2001

WHEEL BASE:

242

ENGINE SERIAL:

06R0601490

ENGINE MAKE:

DDE

MODEL/SERIES:

60

LTR:

12.7L

HP:

380-515

WHEEL CONFIG:

380-515

PETERBILT

KENWORTH

WESTERN STAR

VOLVO

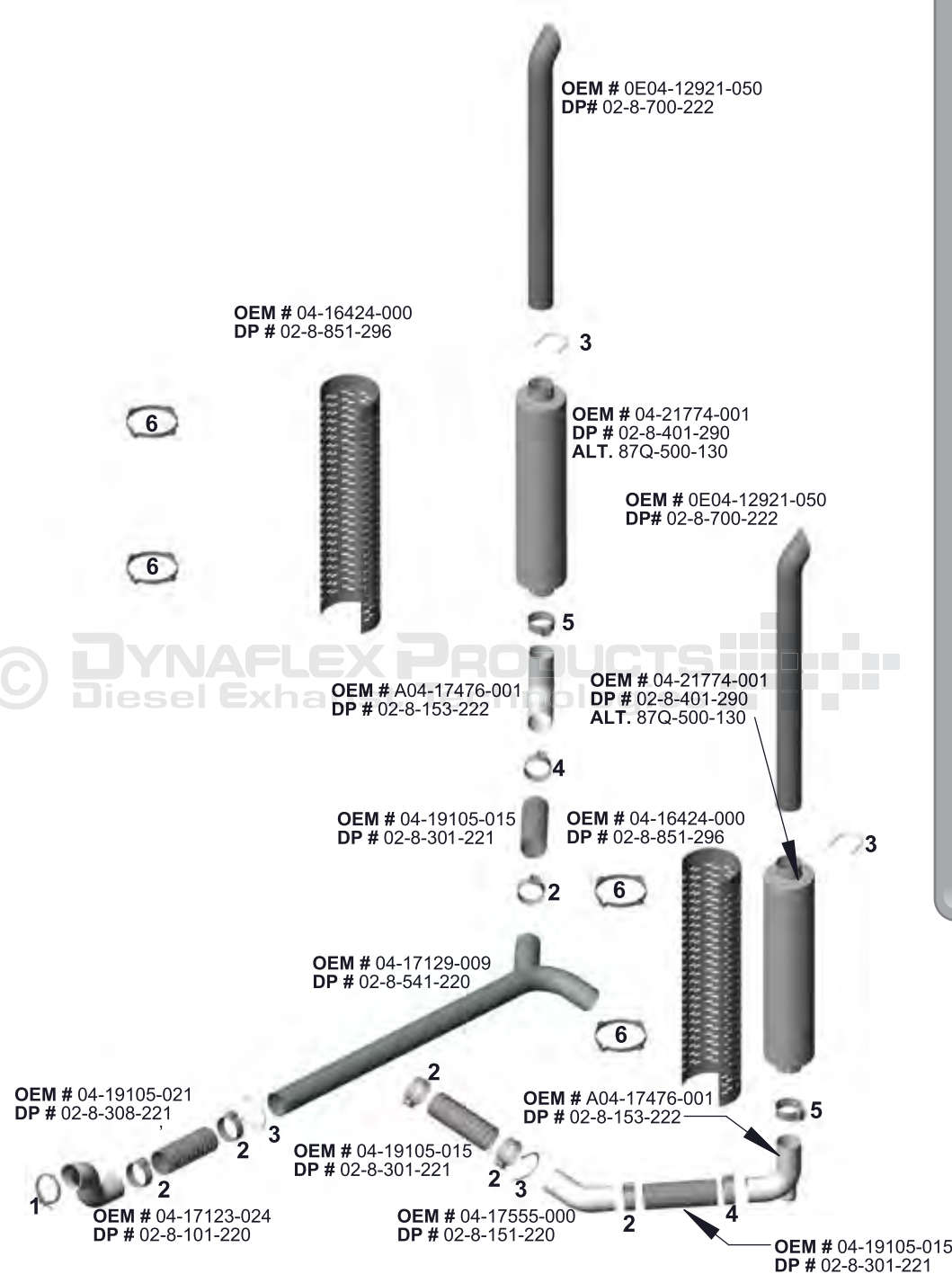
MACK

INTERNATIONAL

STERLING

FORD

HINO



OE NUMBER QUOTED FOR REFERENCE ONLY

- 1.- OEM # 01-14596-000 2.- OEM # 04-19249-000 3.- OEM # 23-09459-005 4.- OEM # 04-19249-002
DP # 02-8-001-221 DP # 02-8-052-220 DP # 02-8-026-225 DP # 02-8-052-221
- 5.- OEM # TCP-A50AFE 6.- OEM # A04-12111-010
DP # 02-8-055-220 DP # 02-8-071-295

NOTE: Some of Dynaflex OEM Replacement Parts are Universally sized to accommodate a wide range of application and may not be an exact replica of your OEM part. But they will not effect fit and function, typically this applies to tail pipes and flex units.

FREIGHTLINER

MODEL:
FLD 120
DUAL EXHAUST

CLASS:

8

YEAR:

1997

WHEEL BASE:

265

ENGINE SERIAL:

06R0380920

ENGINE MAKE:

DDE

MODEL/SERIES:

6067GK60

LTR:

12.7L

HP:

380

WHEEL CONFIG:

4X2

PETERBILT

KENWORTH

WESTERN STAR

VOLVO

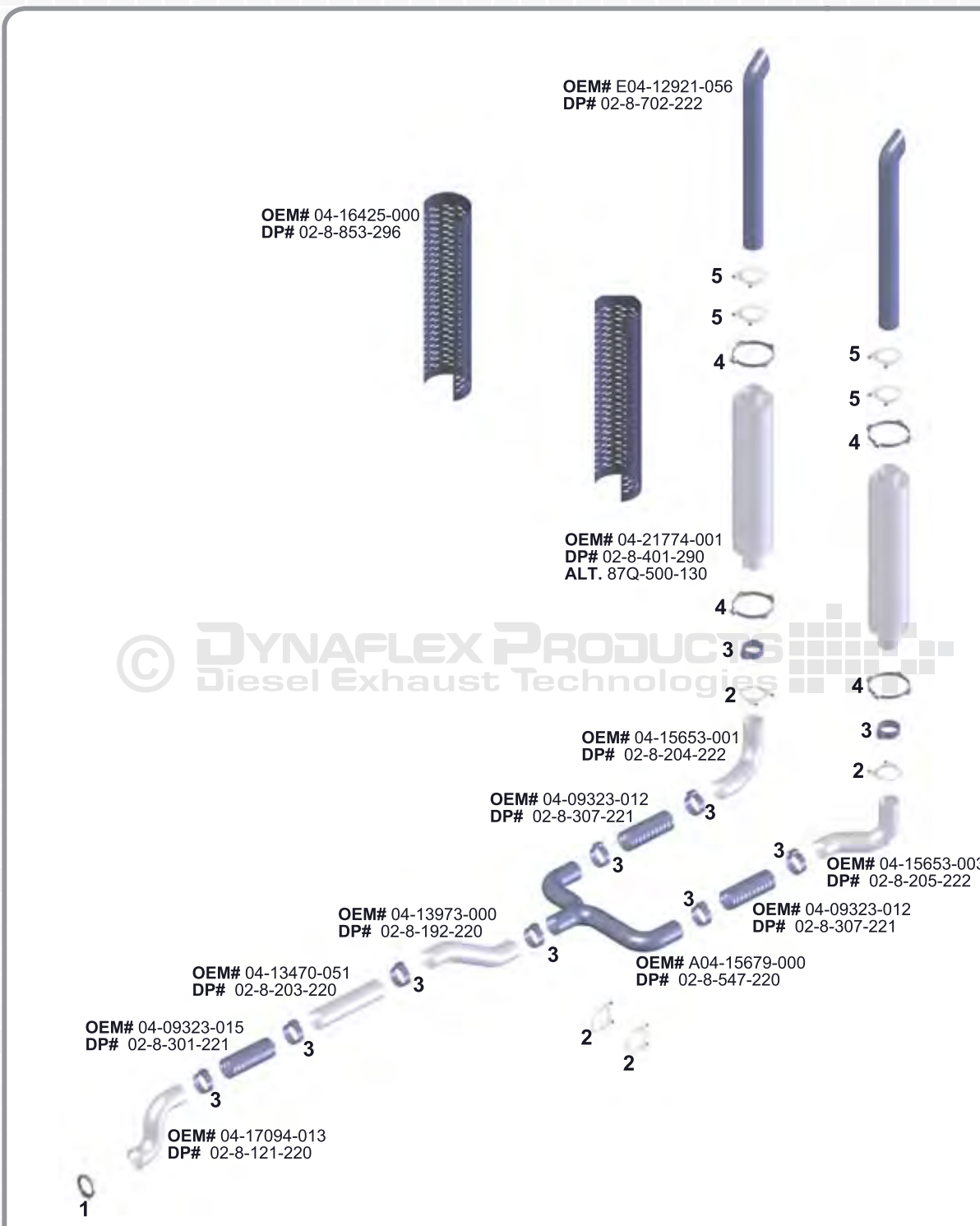
MACK

INTERNATIONAL

STERLING

FORD

HINO



© DYNAFLEX PRODUCTS Diesel Exhaust Technologies

OE NUMBER QUOTED FOR REFERENCE ONLY

- | | | | |
|--|--|--|--|
| 1.) OEM# 01-14596-000
DP# 02-8-001-221 | 2.) OEM# A04-09364-000
DP# 02-8-025-225 | 3.) OEM# A04-12096-000
DP# 02-8-051-220 | 4.) OEM# A04-12111-001
DP# 02-8-071-295 |
| 5.) OEM# A04-09537-000
DP# 02-8-025-222 | | | |

NOTE: Some of Dynaflex OEM Replacement Parts are Universally sized to accommodate a wide range of application and may not be an exact replica of your OEM part. But they will not effect fit and function, typically this applies to tail pipes and flex units.

FREIGHTLINER

PETERBILT

KENWORTH

WESTERN STAR

VOLVO

MAK

INTERNATIONAL

STERLING

FORD

HINO

MODEL
MEDIUM DUTY
BUSINESS CLASS

CLASS:

8

YEAR:

2003

WHEEL BASE:

270

ENGINE SERIAL:

0906323216

ENGINE MAKE:

MBE

MODEL/SERIES:

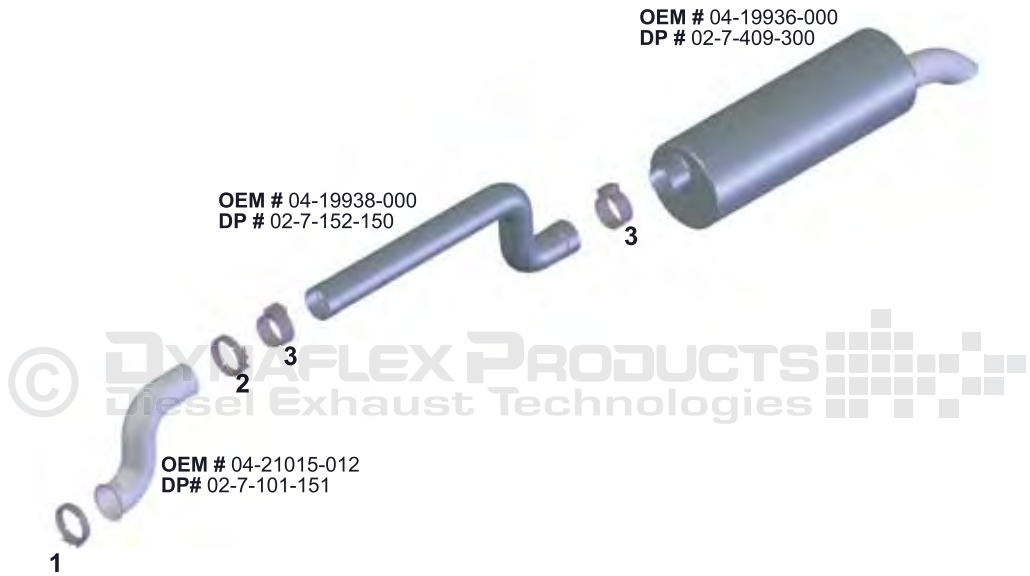
906.933

LTR:

6.37L 388 cu in

HP:

WHEEL CONFIG:



OEM NUMBER QUOTED FOR REFERENCE ONLY

1.) OEM # A04-19184-000
DP# 02-7-001-151

2.) OEM # 04-20164-000
DP # 02-7-051-151

3.) OEM # TCP A40AFE
DP # 02-7-059-150

NOTE: Some of Dynaflex OEM Replacement Parts are Universally sized to accommodate a wide range of application and may not be an exact replica of your OEM part. But they will not effect fit and function, typically this applies to tail pipes and flex units.

FREIGHTLINER

MODEL:
CENTURY CLASS

CLASS:	8
YEAR:	1998
WHEEL BASE:	239
ENGINE SERIAL:	U6R0401164
ENGINE MAKE:	DDE
MODEL/SERIES:	60
LTR:	12.70
HP:	38
WHEEL CONFIG:	4X2

PETERBILT

KENWORTH

WESTERN STAR

VOLVO

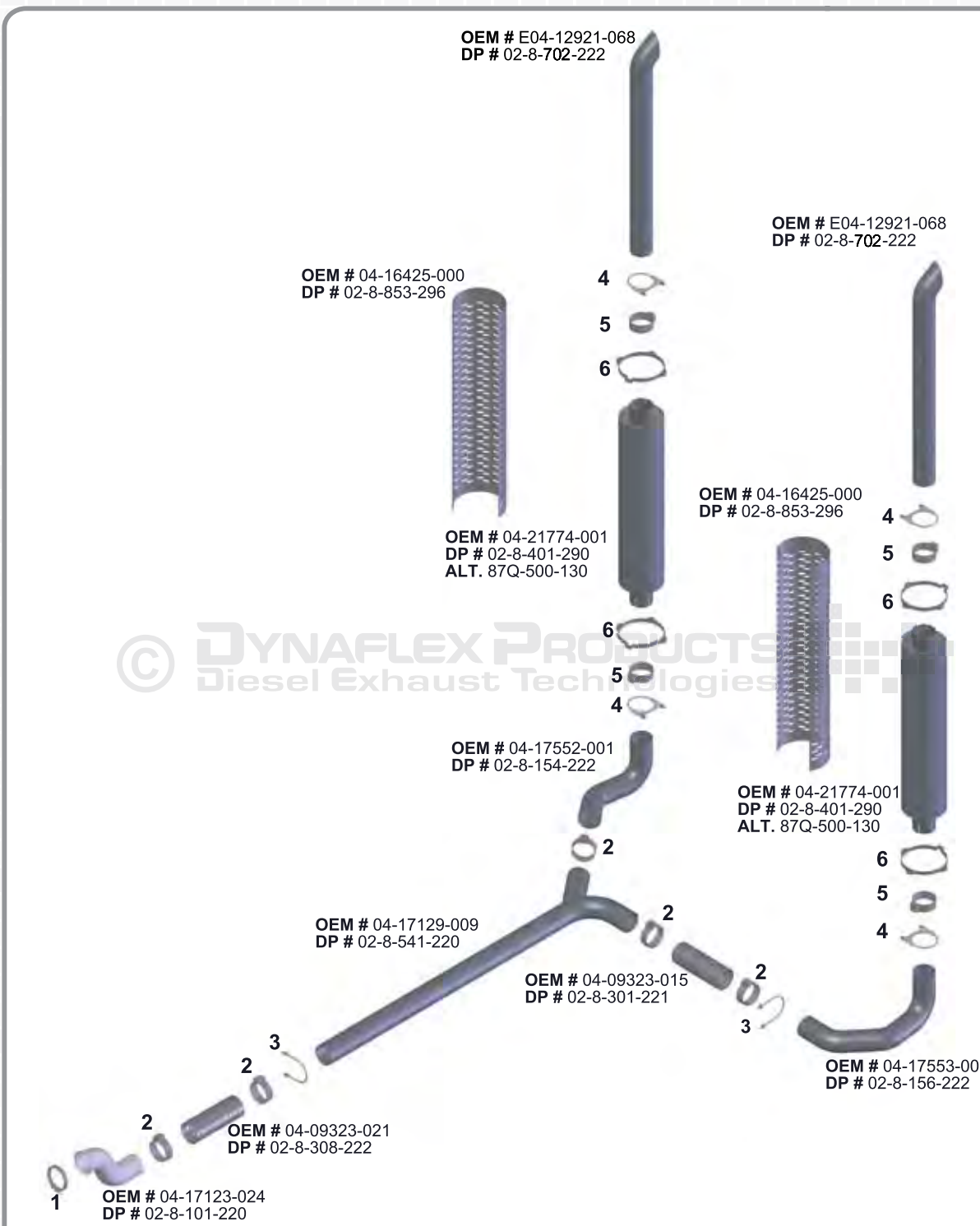
MACK

INTERNATIONAL

STERLING

FORD

HINO



© DYNAFLEX PRODUCTS Diesel Exhaust Technologies

OE NUMBER QUOTED FOR REFERENCE ONLY

- | | | |
|--|--|--|
| 1.- OEM # 01-14596-000
DP # 02-8-001-221 | 2.- OEM # A04-12096-000
DP # 02-8-051-221 | 3.- OEM # 23-09459-005
DP # 02-8-026-225 |
| 4.- OEM # A04-09537-000
DP # 02-8-025-222 | 5.- OEM # A04-12096-002
DP # 02-8-051-221 | 6.- OEM # A04-12111-001
DP # 02-8-072-220 |

NOTE: Some of Dynaflex OEM Replacement Parts are Universally sized to accommodate a wide range of application and may not be an exact replica of your OEM part. But they will not effect fit and function, typically this applies to tail pipes and flex units.

FREIGHTLINER

PETERBILT

KENWORTH

WESTERN STAR

VOLVO

MACK

INTERNATIONAL

STERLING

FORD

HINO

MODEL:
COLUMBIA

CLASS:

8

YEAR:

2001

WHEEL BASE:

230

ENGINE SERIAL:

06R0602247

ENGINE MAKE:

DDE

MODEL/SERIES:

607BK60

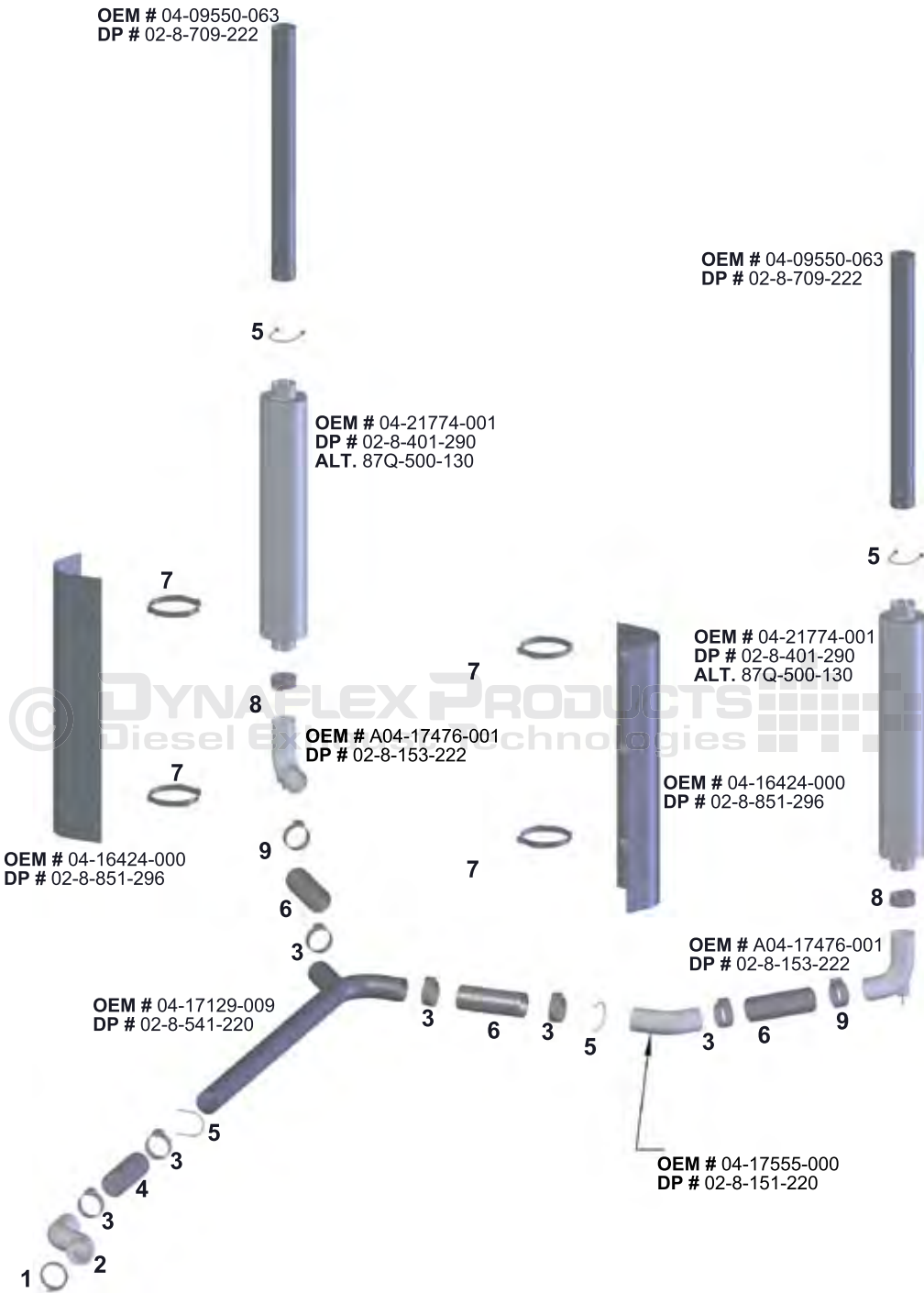
LTR:

12.7L

HP:

380

WHEEL CONFIG:



OE NUMBER QUOTED FOR REFERENCE ONLY

- | | | | | |
|---|---|--|---|---|
| 1.- OEM # 01-14596-000
DP # 02-8-001-221 | 2.- OEM # 04-17123-04
DP # 02-8-101-220 | 3.- OEM # 04-19249-000
DP # 02-8-052-220 | 4.- OEM # 04-19105-021
DP # 02-8-308-221 | 9.- OEM # 04-19249-002
DP # 02-8-052-221 |
| 5.- OEM # 23-09459-005
DP # 02-8-026-225 | 6.- OEM # 04-19105-015
DP # 02-8-301-221 | 7.- OEM # A04-12111-010
DP # 02-8-071-295 | 8.- OEM # TCP-A50AFE
DP # 02-8-055-221 | |

NOTE: Some of Dynaflex OEM Replacement Parts are Universally sized to accommodate a wide range of application and may not be an exact replica of your OEM part. But they will not effect fit and function, typically this applies to tail pipes and flex units.

FREIGHTLINER

PETERBILT

KENWORTH

WESTERN STAR

VOLVO

MACK

INTERNATIONAL

STERLING

FORD

HINO

MODEL:
CORONADO
DUAL EXHAUST

CLASS:

8

YEAR:

2005

WHEEL BASE:

225

ENGINE SERIAL:

MXSO4029

ENGINE MAKE:

CAT

MODEL/SERIES:

C15

LTR:

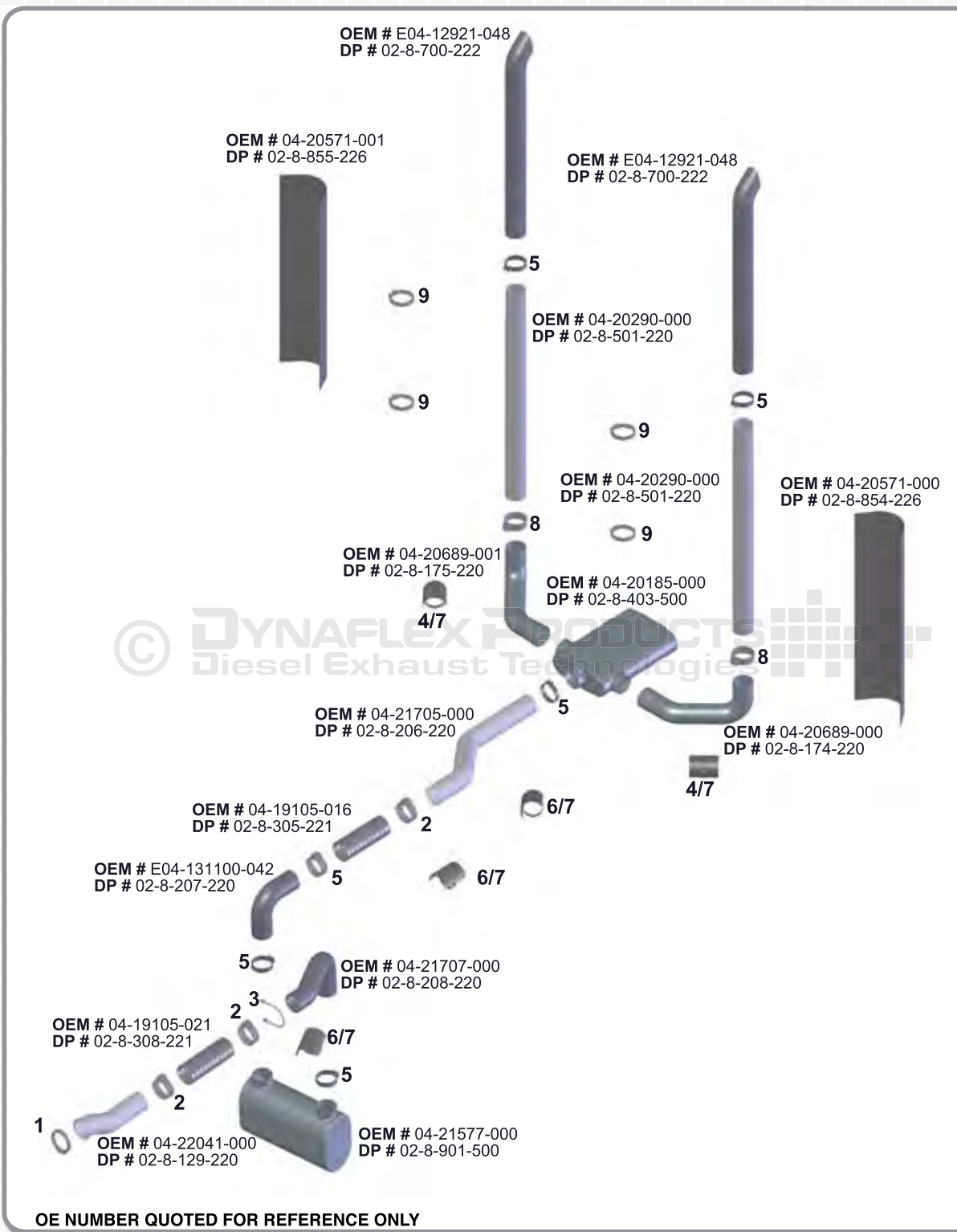
15.2L

HP:

435-625@2100RPM

WHEEL CONFIG:

4X2



OE NUMBER QUOTED FOR REFERENCE ONLY

- | | | | | |
|---|---|---|---|---|
| 1.- OEM # 01-14596-000
DP # 02-8-001-221 | 2.- OEM # 04-21778-000
DP # 02-8-053-221 | 3.- OEM # 23-09459-005
DP # 02-8-026-225 | 4.- OEM # 04-16566-003
DP # 02-8-085-229 | 5.- OEM # 02-8-055-220
DP # TCP A50AFE |
| 6.- OEM # 04-16566-006
DP # 02-8-086-220 | 7.- OEM # 23-09132-080
DP # 02-8-090-221 | 8.- OEM # ABP-N35-04-20289-000
DP # 02-8-058-220 | 9.- OEM # 04-20164-001
DP # 02-8-050-221 | |

NOTE: Some of Dynaflex OEM Replacement Parts are Universally sized to accommodate a wide range of application and may not be an exact replica of your OEM part. But they will not effect fit and function, typically this applies to tail pipes and flex units.

FREIGHTLINER

PETERBILT

KENWORTH

WESTERN STAR

VOLVO

MACK

INTERNATIONAL

STERLING

FORD

HINO

MODEL:
CENTURY CLASS
SINGLE EXHAUST

CLASS:

8

YEAR:

2005

WHEEL BASE:

166

ENGINE SERIAL:

06120782219

ENGINE MAKE:

DDE

MODEL/SERIES:

60

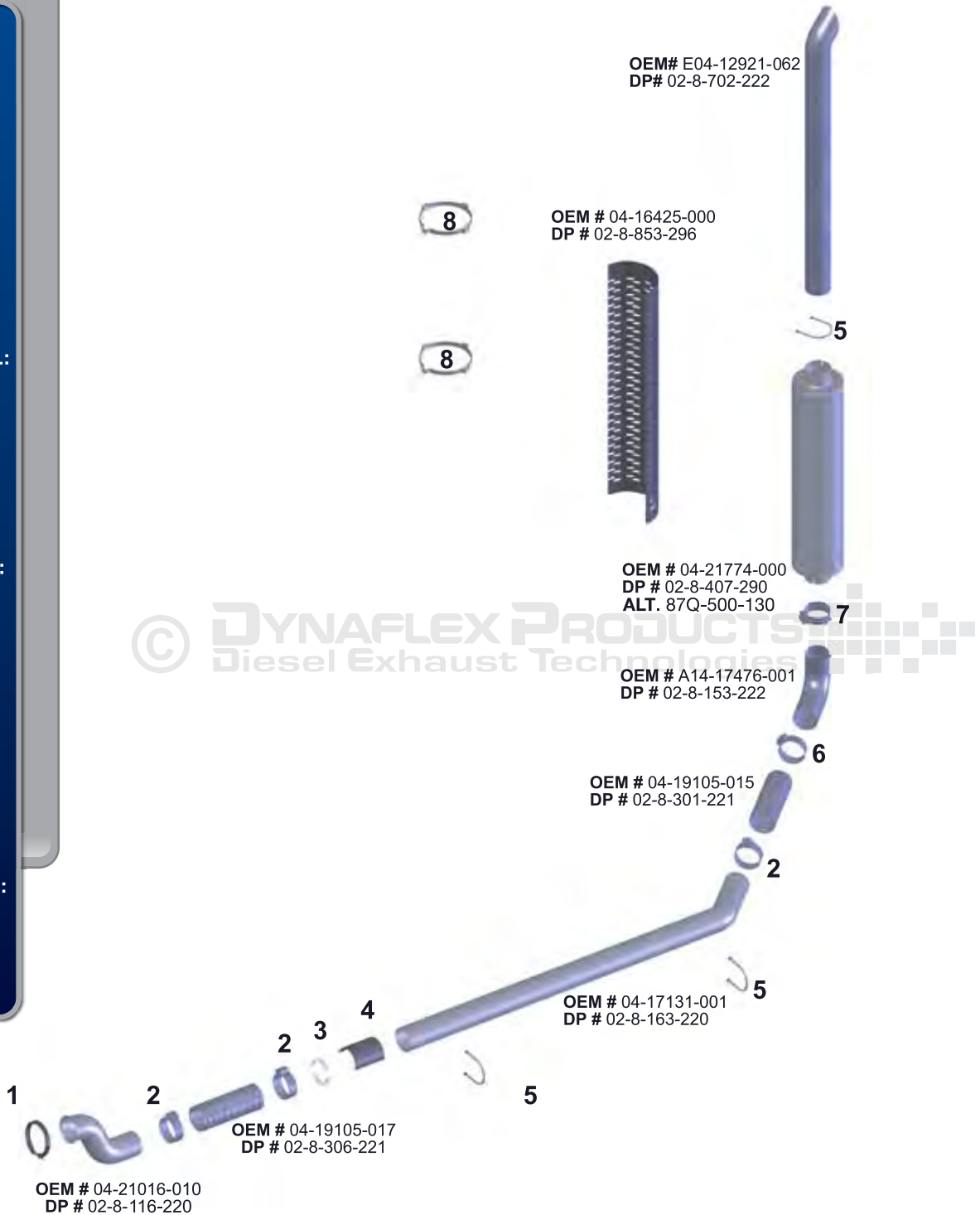
LTR:

12.7L

HP:

380-515

WHEEL CONFIG:



© DYNAFLEX PRODUCTS Diesel Exhaust Technologies

OE NUMBER QUOTED FOR REFERENCE ONLY

- | | | | |
|---|---|---|--|
| 1.- OEM # 04-14596-000
DP # 02-8-001-221 | 2.- OEM # 04-21778-000
DP # 02-8-053-221 | 3.- OEM # 23-09132-080
DP # 02-8-090-221 | 4.- OEM # 04-16566-003
DP # 02-8-085-229 |
| 5.- OEM # 23-09459-005
DP # 02-8-026-225 | 6.- OEM # 04-21778-002
DP # 02-8-053-226 | 7.- OEM # TCP-A50AFE
DP # 02-8-055-220 | 8.- OEM # A04-12111-001
DP # 02-8-072-295 |

NOTE: Some of Dynaflex OEM Replacement Parts are Universally sized to accommodate a wide range of application and may not be an exact replica of your OEM part. But they will not effect fit and function, typically this applies to tail pipes and flex units.

FREIGHTLINER

MODEL:
COLUMBIA
SINGLE

CLASS:

8

YEAR:

2006

WHEEL BASE:

258

ENGINE SERIAL:

06R0849726

ENGINE MAKE:

DDE

MODEL/SERIES:

60

LTR:

12.7L

HP:

380-515

WHEEL CONFIG:

PETERBILT

KENWORTH

WESTERN STAR

VOLVO

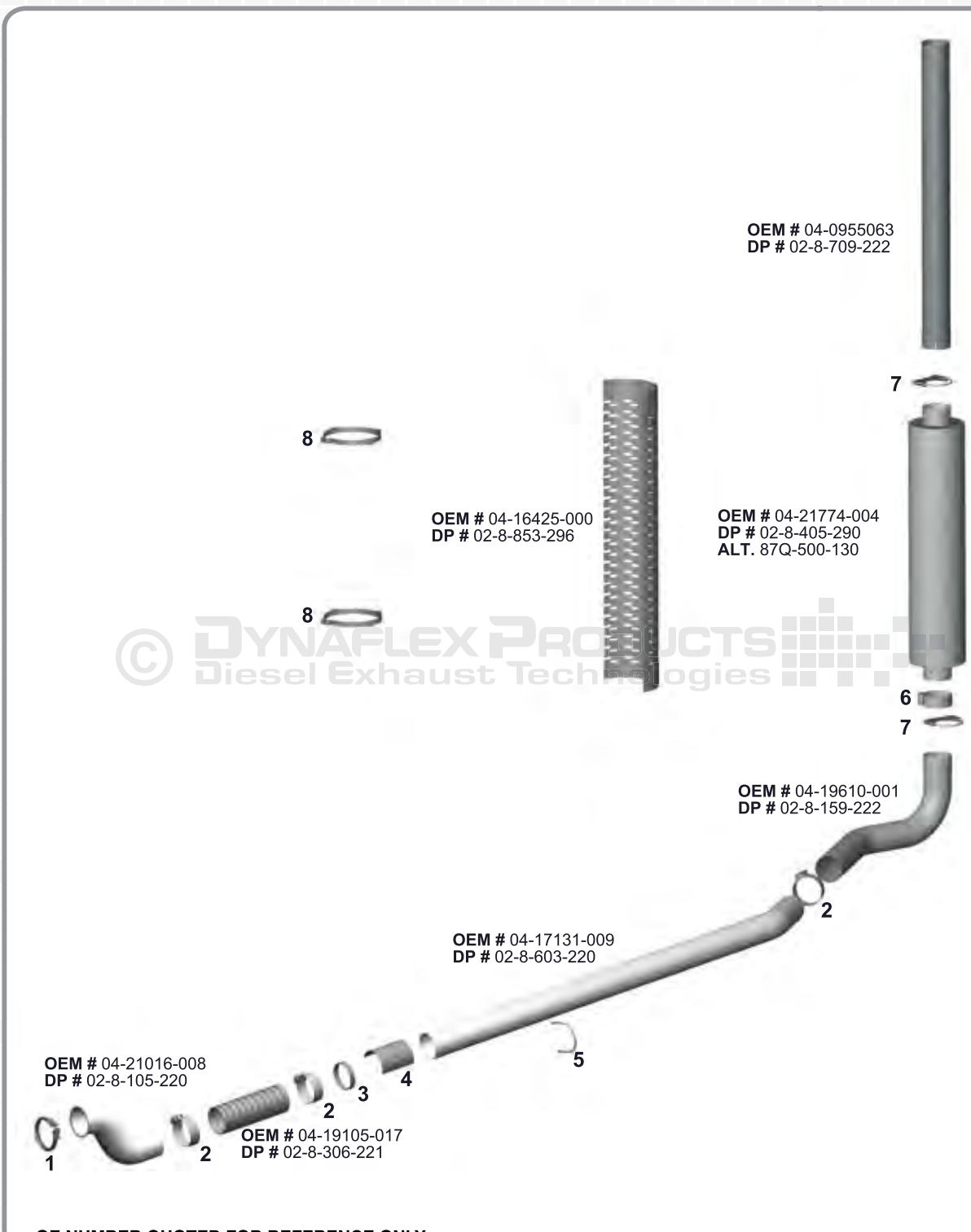
MACK

INTERNATIONAL

STERLING

FORD

HINO



© DYNAFLEX PRODUCTS Diesel Exhaust Technologies

OE NUMBER QUOTED FOR REFERENCE ONLY

- | | | | |
|---|---|--|--|
| 1.- OEM # 04-14596-000
DP # 02-8-001-221 | 2.- OEM # 04-21778-000
DP # 02-8-053-221 | 3.- OEM # 23-09132-080
DP # 02-8-090-221 | 4.- OEM # 04-16566-003
DP # 02-8-085-229 |
| 5.- OEM # 23-09459-005
DP # 02-8-026-225 | 6.- OEM # TCP-A50AFE
DP # 02-8-055-220
50AS-500AZ | 7.- OEM # A04-09537-000
DP # 02-8-025-222 | 8.- OEM # A04-12111-001
DP # 02-8-072-295 |

NOTE: Some of Dynaflex OEM Replacement Parts are Universally sized to accommodate a wide range of application and may not be an exact replica of your OEM part. But they will not effect fit and function, typically this applies to tail pipes and flex units.

FREIGHTLINER

PETERBILT

KENWORTH

WESTERN STAR

VOLVO

MACK

INTERNATIONAL

STERLING

FORD

HINO

MODEL:
FL 112 DAY CAB
SINGLE EXHAUST

CLASS:

8

YEAR:

2003

WHEEL BASE:

166

ENGINE SERIAL:

2K592132

ENGINE MAKE:

DDE

MODEL/SERIES:

60

LTR:

12.7L

HP:

380-515

WHEEL CONFIG:

2X4



OE NUMBER QUOTED FOR REFERENCE ONLY

- | | | | |
|---|---|---|--|
| 1.- OEM # 01-14596-000
DP # 02-8-001-221 | 2.- OEM # 04-21778-000
DP # 02-8-053-221 | 3.- OEM # 23-09459-005
DP # 02-8-026-225 | 4.- OEM # A04-09364-000
DP # 02-8-025-225 |
| 5.- OEM # TCP-A50AFE
DP # 02-8-055-220 | 6.- OEM # 04-16566-003
DP # 02-8-085-229 | 7.- OEM # 23-09132-080
DP # 02-8-090-221 | |

NOTE: Some of Dynaflex OEM Replacement Parts are Universally sized to accommodate a wide range of application and may not be an exact replica of your OEM part. But they will not effect fit and function, typically this applies to tail pipes and flex units.

FREIGHTLINER

MODEL:
CLASSIC

CLASS:

8

YEAR:

2001

WHEEL BASE:

273

ENGINE SERIAL:

06R0573544

ENGINE MAKE:

DDE

MODEL/SERIES:

60

LTR:

12.7L

HP:

380-515

WHEEL CONFIG:

PETERBILT

KENWORTH

WESTERN STAR

VOLVO

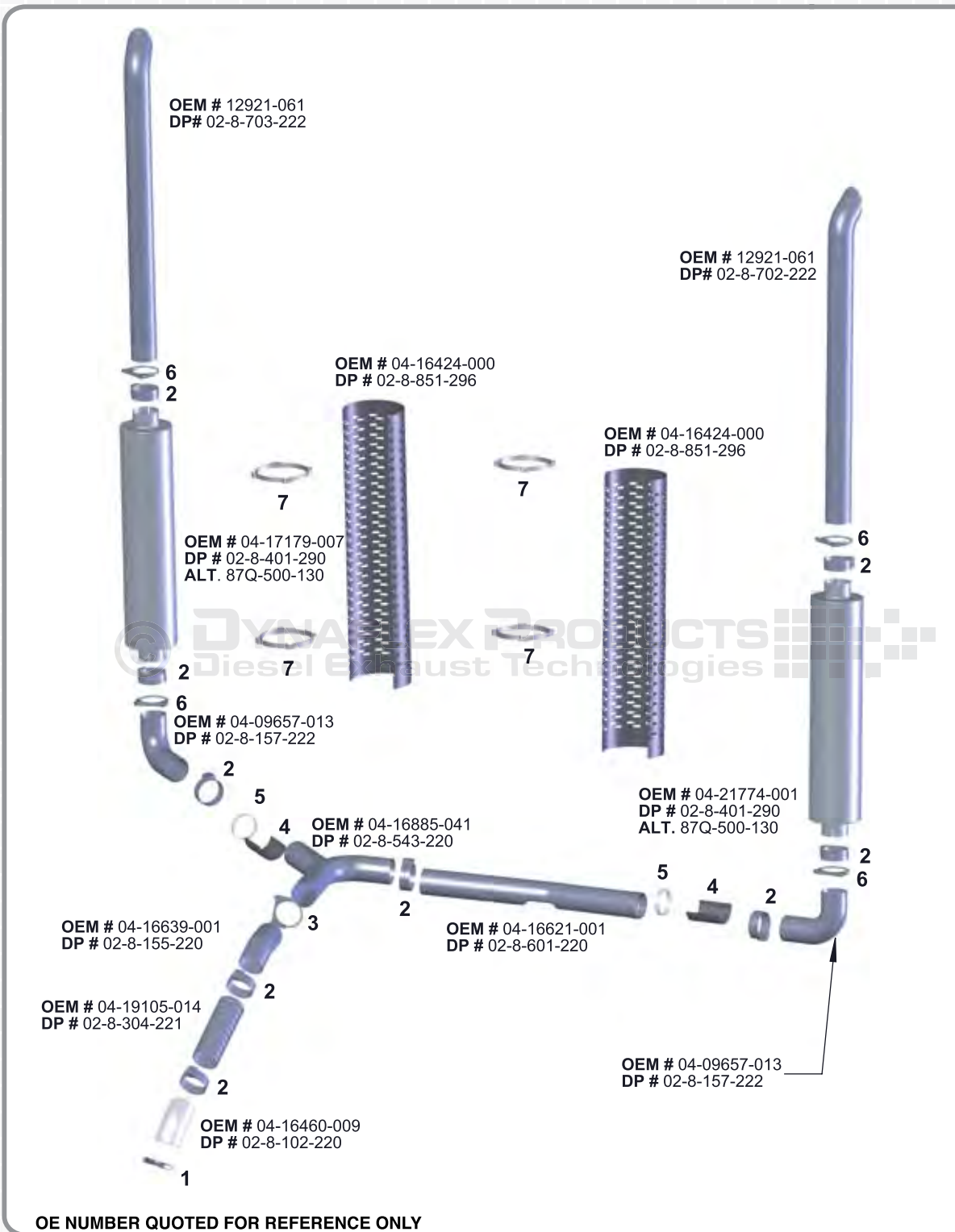
MACK

INTERNATIONAL

STERLING

FORD

HINO



- | | | | |
|---|--|--|--|
| 1.- OEM # 01-14596-000
DP # 02-8-001-221 | 3.- OEM # A04-09364-000
DP # 02-8-025-225 | 5.- OEM # 23-09132-080
DP # 02-8-090-221 | 7.- OEM # A04-12111-010
DP # 02-8-071-295 |
| 2.- OEM # 04-19249-002
DP # 02-8-052-221 | 4.- OEM # 04-16566-03
DP # 02-8-085-229 | 6.- OEM # A04-09537-000
DP # 02-8-025-222 | |

NOTE: Some of Dynaflex OEM Replacement Parts are Universally sized to accommodate a wide range of application and may not be an exact replica of your OEM part. But they will not effect fit and function, typically this applies to tail pipes and flex units.

FREIGHTLINER

PETERBILT

KENWORTH

WESTERN STAR

VOLVO

MACK

INTERNATIONAL

STERLING

FORD

HINO

MODEL:
CL 120 COLUMBIA
SINGLE EXHAUST

CLASS:

8

YEAR:

2003

WHEEL BASE:

225

ENGINE SERIAL:

06R0700032

ENGINE MAKE:

DDE

MODEL/SERIES:

60

LTR:

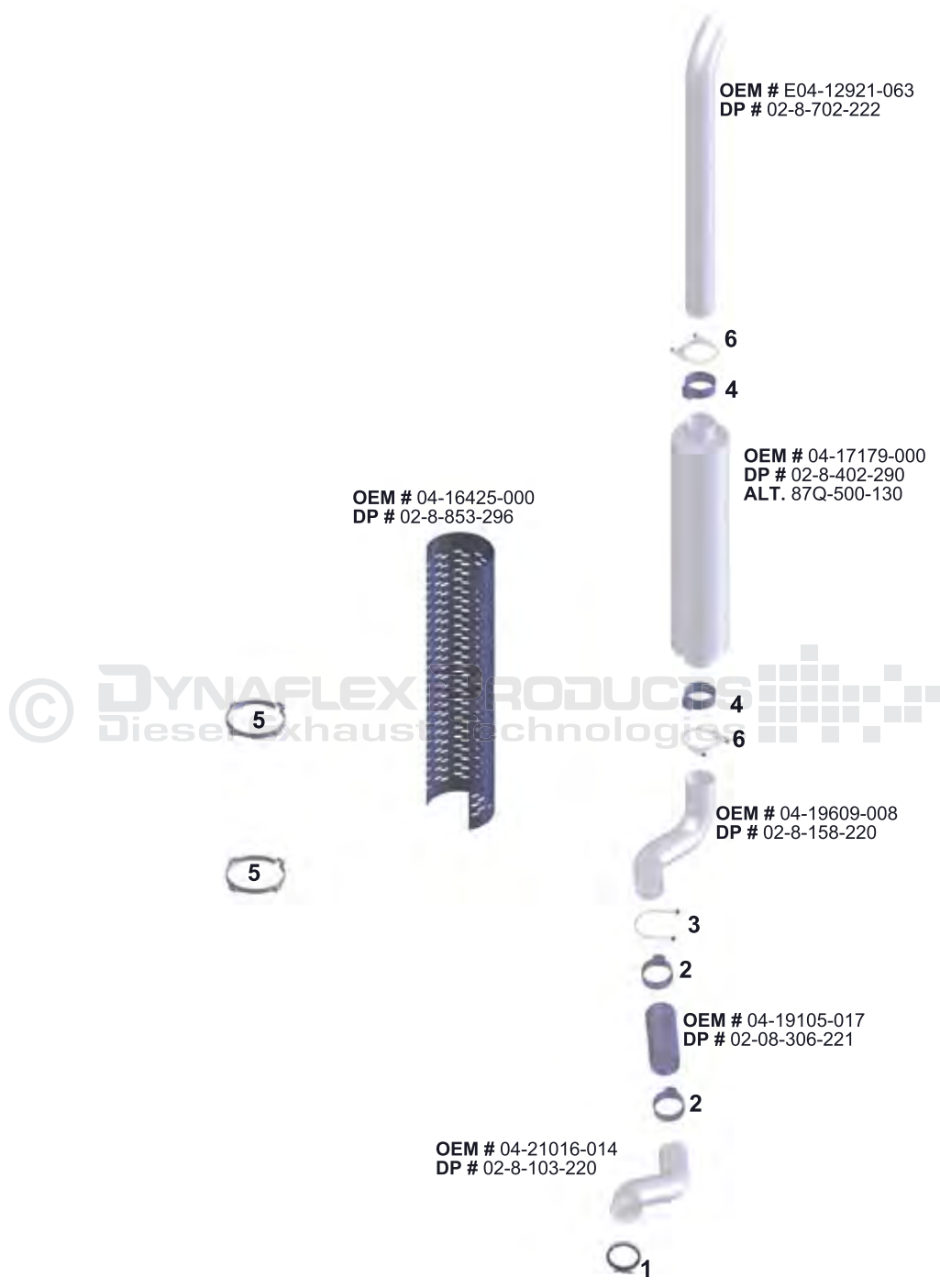
12.7L

HP:

380-515

WHEEL CONFIG:

4X2



OE NUMBER QUOTED FOR REFERENCE ONLY

- | | | |
|---|--|--|
| 1.) OEM # 01-14596-008
DP # 02-8-002-221 | 2.) OEM # 04-21778-000
DP # 02-08-053-221 | 3.) OEM # 23-09459-005
DP # 02-8-026-225 |
| 4.) OEM # TCP A50AFE
DP # 02-8-055-220 | 5.) OEM # A04-12111-001
DP # 02-8-072-295 | 6.) OEM # A04-09364-000
DP # 02-8-025-225 |

NOTE: Some of Dynaflex OEM Replacement Parts are Universally sized to accommodate a wide range of application and may not be an exact replica of your OEM part. But they will not effect fit and function, typically this applies to tail pipes and flex units.

FREIGHTLINER

MODEL:
MEDIUM DUTY BUSINESS
CLASS GVW 48000

CLASS:

8

YEAR:

2007

WHEEL BASE:

252

ENGINE SERIAL:

0906644696

ENGINE MAKE:

MBE

MODEL/SERIES:

906

LTR:

388 CU IN
6.37 LITERS

HP:

-

WHEEL CONFIG:

4X2

PETERBILT

KENWORTH

WESTERN STAR

VOLVO

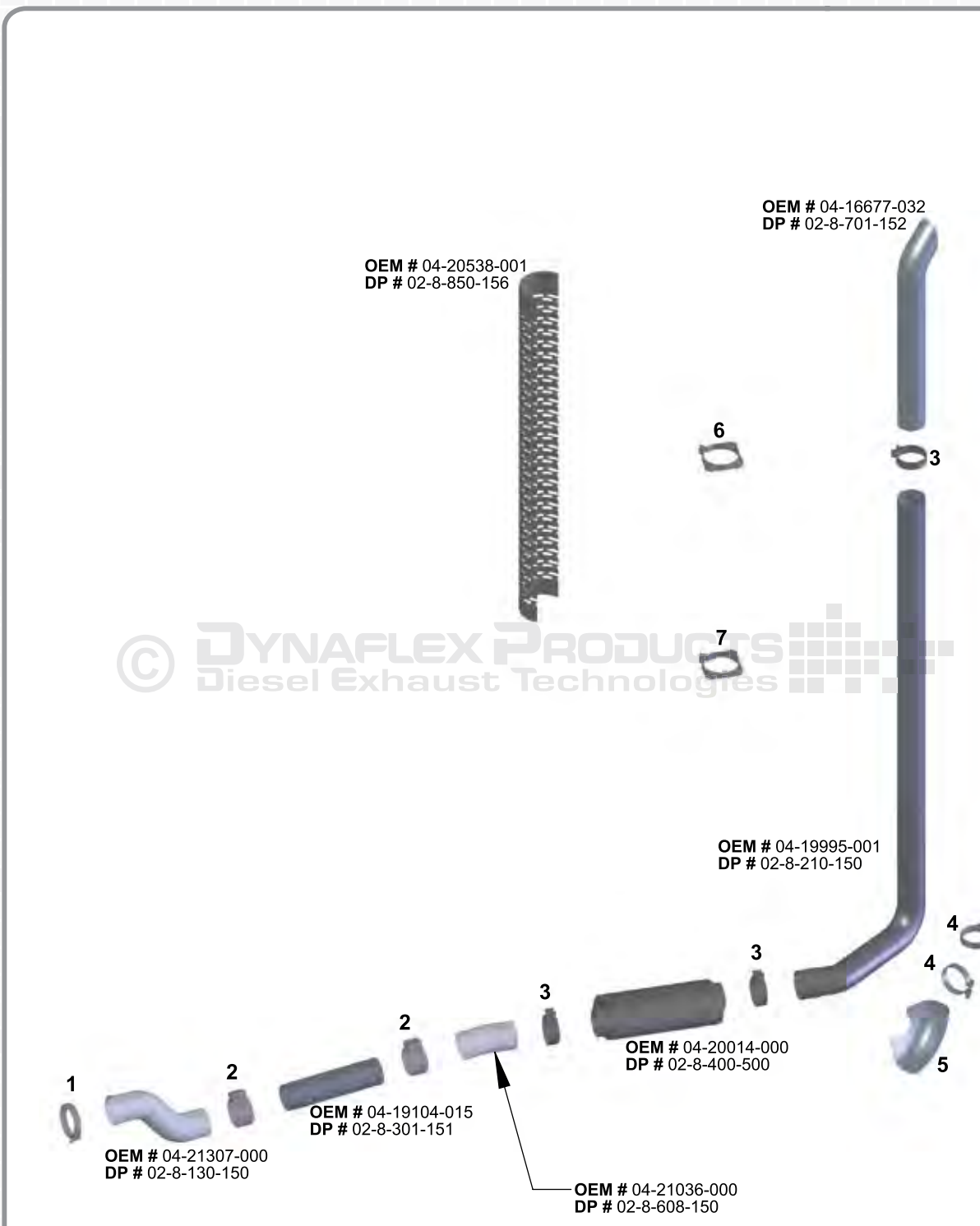
MACK

INTERNATIONAL

STERLING

FORD

HINO



© DYNAFLEX PRODUCTS Diesel Exhaust Technologies

OE NUMBER QUOTED FOR REFERENCE ONLY

1.- OEM # A04-19184-000
DP # 02-7-001-151

2.- OEM # 04-21778-001
DP # 02-8-053-151

3.- OEM # TCP A40AFE
DP # 02-8-059-150

4.- OEM # 23-09132-064
DP # 02-7-090-151

5.- OEM # 04-20572-000
DP # 02-8-087-159

6.- OEM # 04-21772-000
DP # 02-8-076-155

7.- OEM # 04-20539-000
DP # 02-8-077-155

NOTE: Some of Dynaflex OEM Replacement Parts are Universally sized to accommodate a wide range of application and may not be an exact replica of your OEM part. But they will not effect fit and function, typically this applies to tail pipes and flex units.

FREIGHTLINER

PETERBILT

KENWORTH

WESTERN STAR

VOLVO

MACK

INTERNATIONAL

STERLING

FORD

HINO

MODEL:
FLD120
SINGLE EXHAUST

CLASS:

8

YEAR:

1996

WHEEL BASE:

232

ENGINE SERIAL:

11793591

ENGINE MAKE:

CUMMINS

MODEL/SERIES:

N14

LTR:

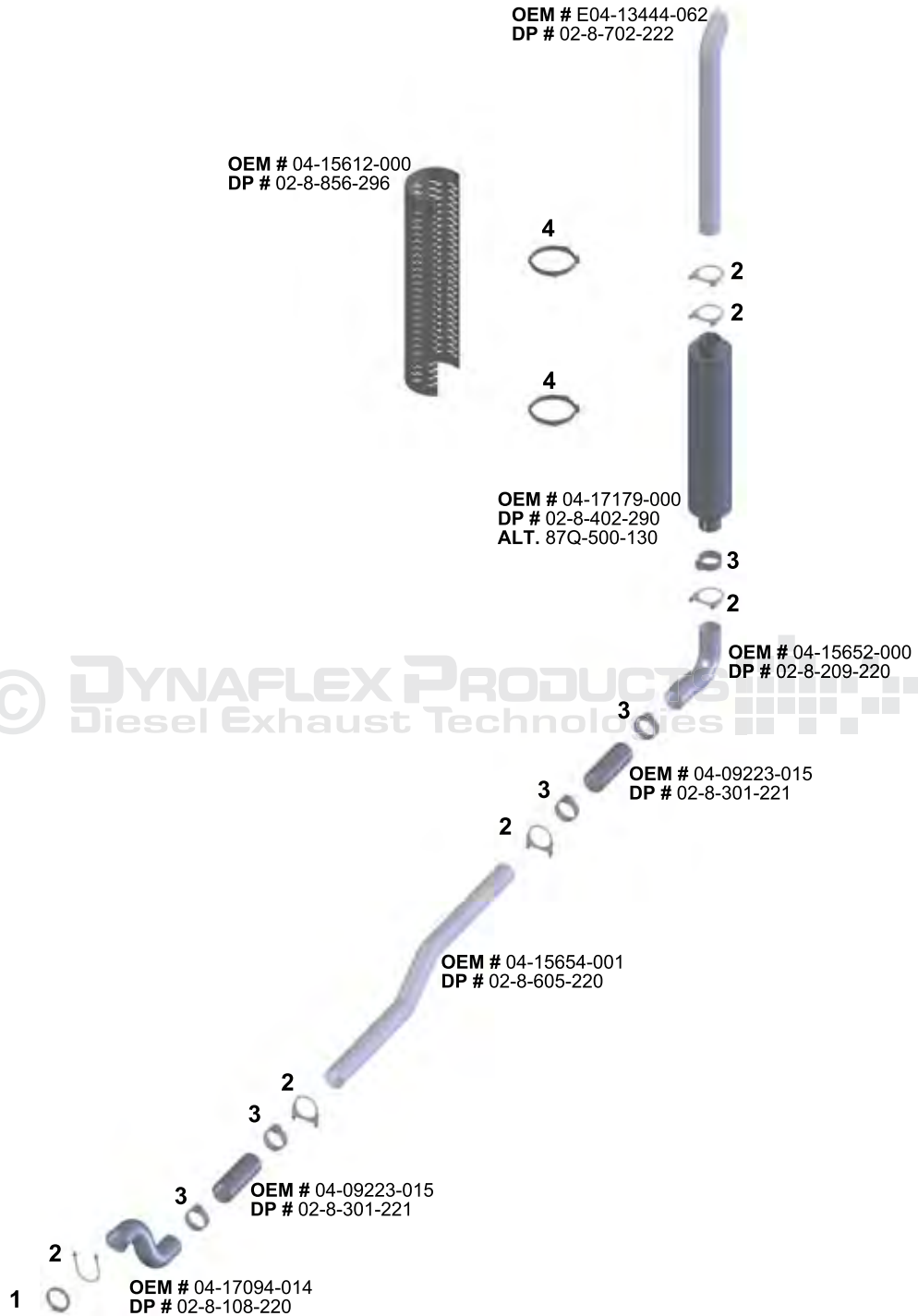
-

HP:

370

WHEEL CONFIG:

4X2



OE NUMBER QUOTED FOR REFERENCE ONLY

1.- OEM # 01-14596-000
DP # 02-8-001-221

2.- OEM # A04-09364-000
DP # 02-8-025-225

3.- OEM # A04-12096-000
DP # 02-8-051-221

4.- OEM # A04-12111-009
DP # 02-8-075-295

NOTE: Some of Dynaflex OEM Replacement Parts are Universally sized to accommodate a wide range of application and may not be an exact replica of your OEM part. But they will not effect fit and function, typically this applies to tail pipes and flex units.

FREIGHTLINER

MODEL:
120 DUAL EXHAUST

CLASS:
8

YEAR:
1997

WHEEL BASE:
239

ENGINE SERIAL:
11823546

ENGINE MAKE:
CUMMINS

MODEL/SERIES:
CN14

LTR:
14

HP:
500

WHEEL CONFIG:
4X2

PETERBILT

KENWORTH

WESTERN STAR

VOLVO

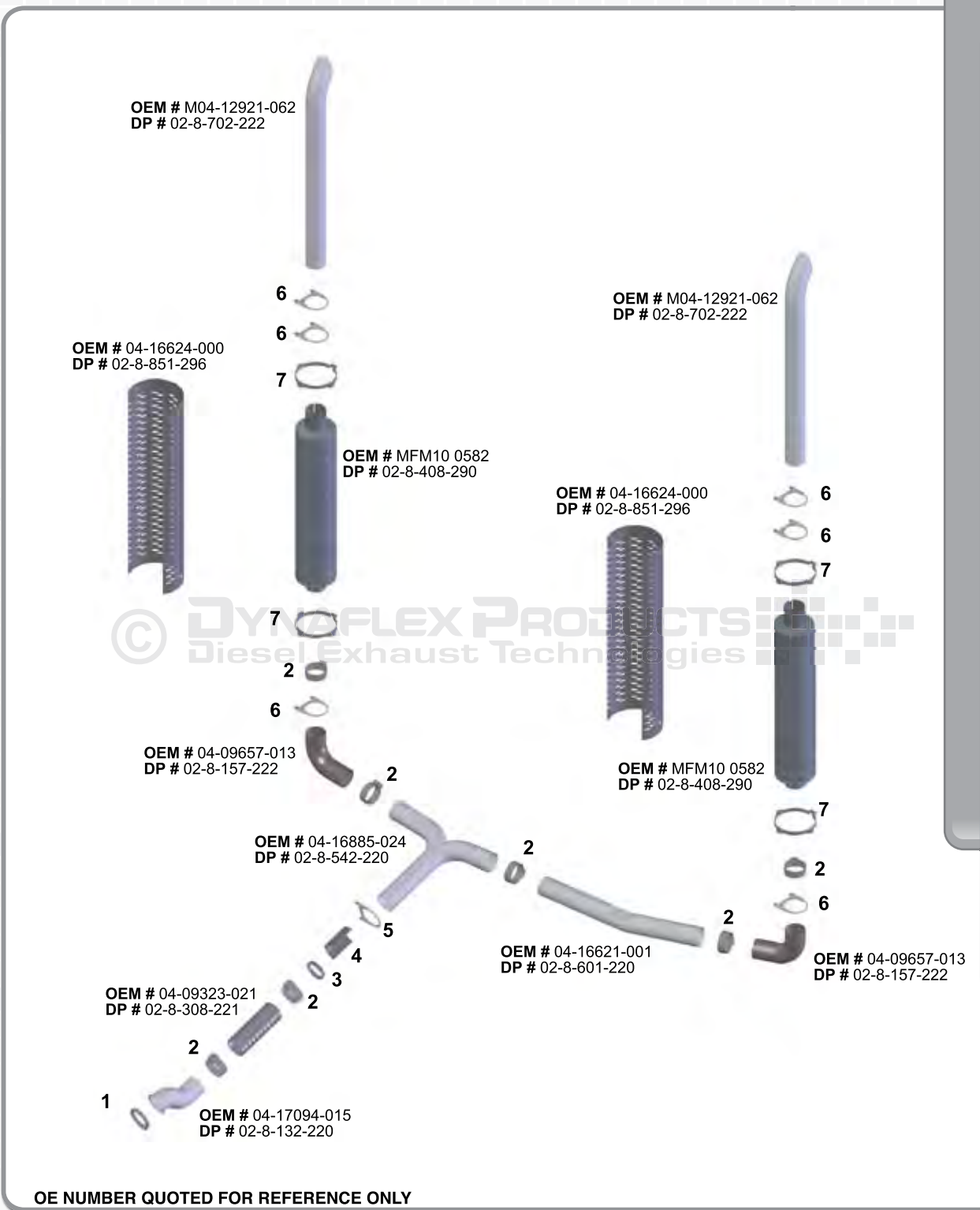
MACK

INTERNATIONAL

STERLING

FORD

HINO



OE NUMBER QUOTED FOR REFERENCE ONLY

1.- OEM # 01-14596-000 DP # 02-8-001-221	2.- OEM # A04-12096-000 DP # 02-8-051-221	3.- OEM # 23-09132-080 DP # 02-8-090-221	4.- OEM # 04-16566-003 DP # 02-8-085-229
5.- OEM # A04-09364-000 DP # 02-8-025-225	6.- OEM # A04-09537-000 DP # 02-8-025-222	7.- OEM # A04-12111-010 DP # 02-8-071-295	

NOTE: Some of Dynaflex OEM Replacement Parts are Universally sized to accommodate a wide range of application and may not be an exact replica of your OEM part. But they will not effect fit and function, typically this applies to tail pipes and flex units.

FREIGHTLINER

PETERBILT

KENWORTH

WESTERN STAR

VOLVO

MACK

INTERNATIONAL

STERLING

FORD

HINO

MODEL:
CLASSIC
DUAL EXHAUST

CLASS:

8

YEAR:

2006

WHEEL BASE:

244

ENGINE SERIAL:

NXS09386

ENGINE MAKE:

CAT

MODEL/SERIES:

C15

LTR:

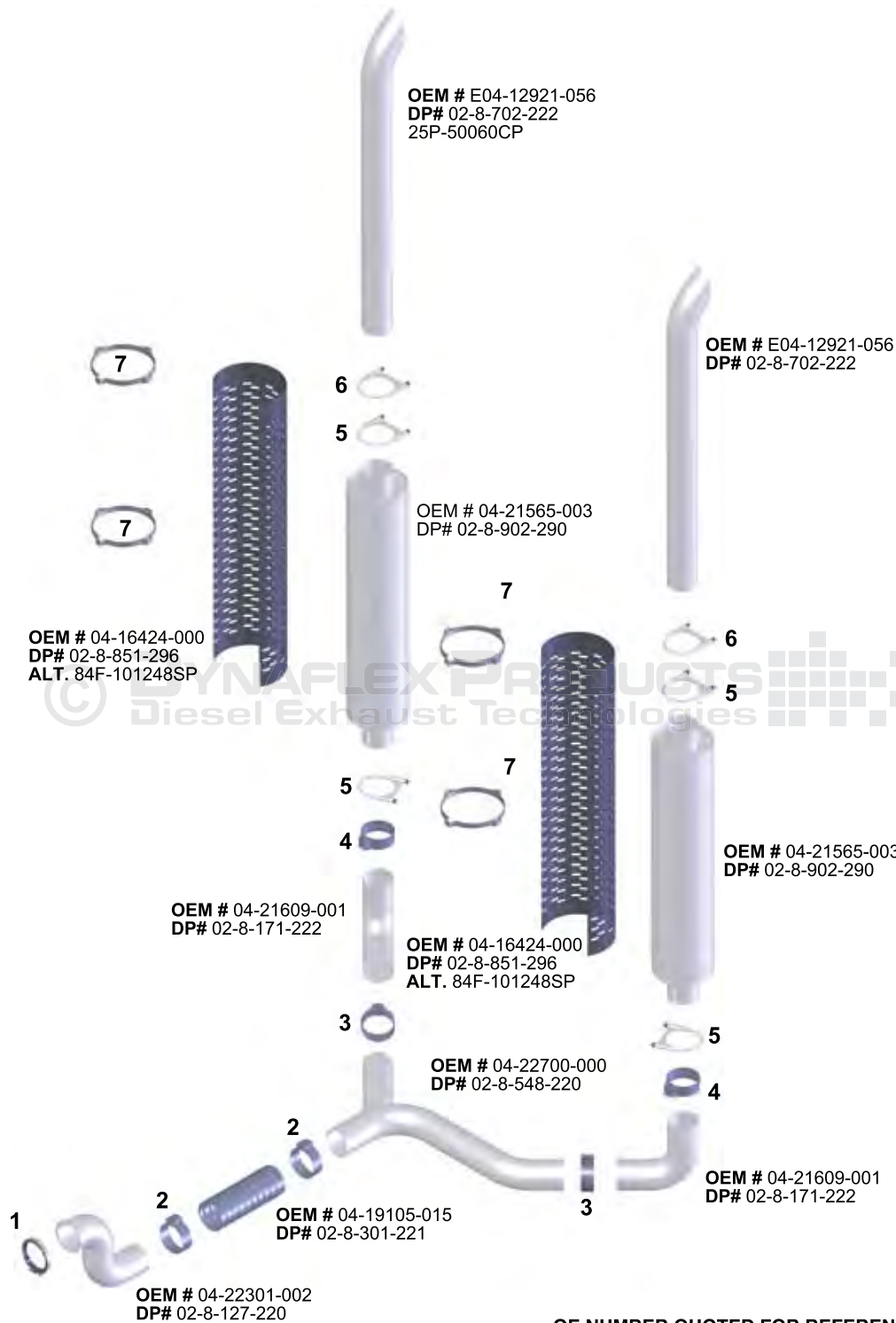
15.2

HP:

435-625@2100RPM

WHEEL CONFIG:

4X2



OE NUMBER QUOTED FOR REFERENCE ONLY

- | | | | |
|---|---|---|---|
| 1.- OEM # 01-14596-008
DP# 02-8-002-221 | 2.- OEM # 04-21778-000
DP# 02-8-053-221 | 3.- OEM # TCP A50AFE
DP# 02-8-055-220 | 4.- ABP-N35-0420289-000
DP# 02-8-058-220 |
| 5.- OEM # A04-09364-000
DP# 02-8-025-225 | 6.- OEM # A04-09537-000
DP# 02-8-027-222 | 7.- OEM # A04-12111-010
DP# 02-8-071-292 | |

NOTE: Some of Dynaflex OEM Replacement Parts are Universally sized to accommodate a wide range of application and may not be an exact replica of your OEM part. But they will not effect fit and function, typically this applies to tail pipes and flex units.

FREIGHTLINER

MODEL:
COLUMBIA SINGLE
EXHAUST

CLASS:

8

YEAR:

2006

WHEEL BASE:

258

ENGINE SERIAL:

06R0900687

ENGINE MAKE:

DDE

MODEL/SERIES:

60

LTR:

12.7L

HP:

380-515

WHEEL CONFIG:

4X2

PETERBILT

KENWORTH

WESTERN STAR

VOLVO

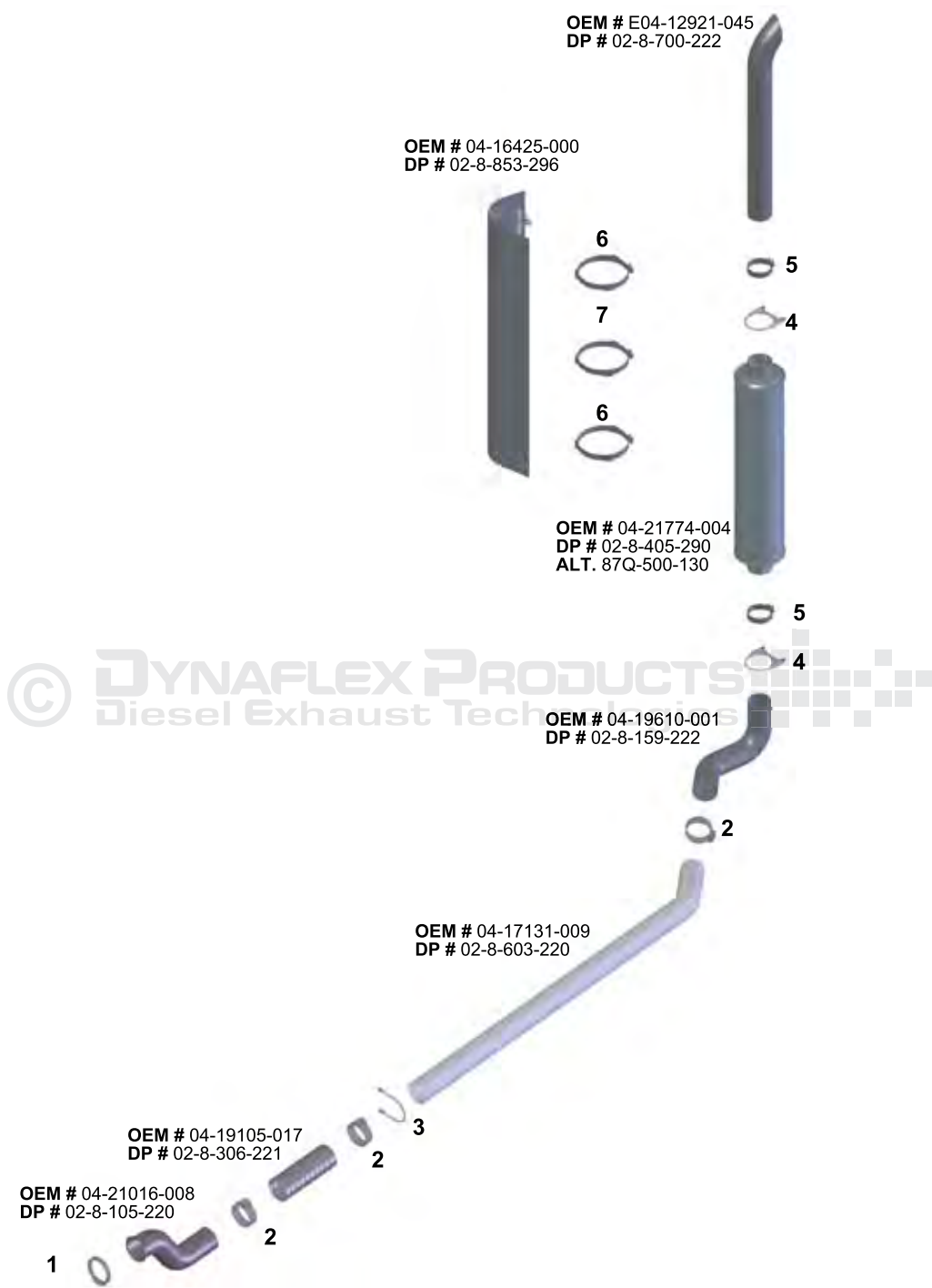
MACK

INTERNATIONAL

STERLING

FORD

HINO



© DYNAFLEX PRODUCTS Diesel Exhaust Technologies

OE NUMBER QUOTED FOR REFERENCE ONLY

- | | | | |
|---|--|---|--|
| 1.- OEM # 01-14596-000
DP # 02-8-001-221 | 2.- OEM # 04-21778-000
DP # 02-8-053-221 | 3.- OEM # 23-09459-005
DP # 02-8-026-225 | 4.- OEM # A04-09537-000
DP # 02-8-025-222 |
| 5.- OEM # TCP-A50AFE
DP # 02-8-055-220 | 6.- OEM # A04-12111-001
DP # 02-8-072-295 | 7.- OEM # 04-18866-000
DP # 02-8-078-295 | |

NOTE: Some of Dynaflex OEM Replacement Parts are Universally sized to accommodate a wide range of application and may not be an exact replica of your OEM part. But they will not effect fit and function, typically this applies to tail pipes and flex units.

FREIGHTLINER

PETERBILT

KENWORTH

WESTERN STAR

VOLVO

MACK

INTERNATIONAL

STERLING

FORD

HINO

MODEL:
CORONADO EXHAUST

CLASS:

8

YEAR:

2003

WHEEL BASE:

256

ENGINE SERIAL:

6NZ76707

ENGINE MAKE:

CAT

MODEL/SERIES:

C15

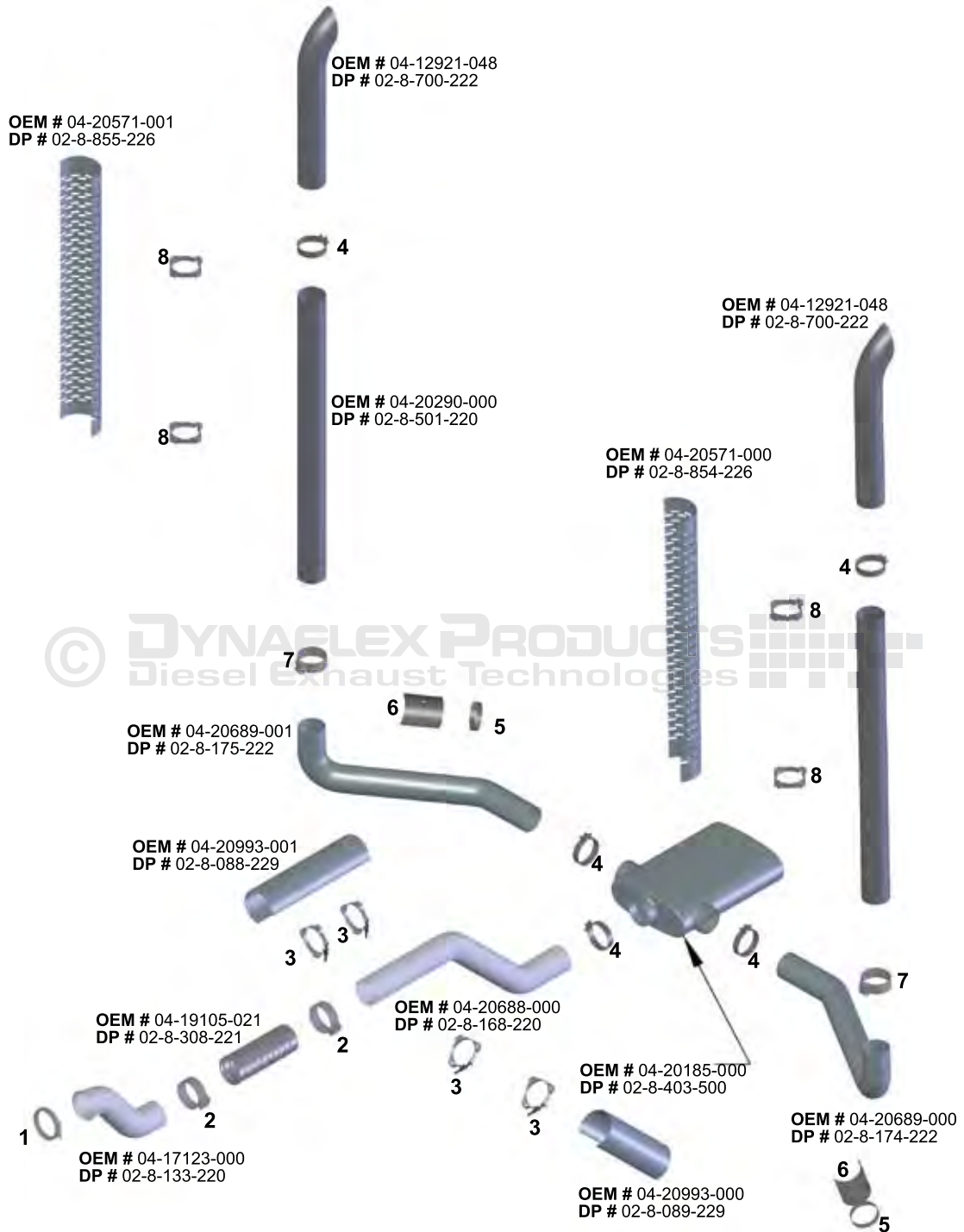
LTR:

15.2

HP:

435-625@2100RPM

WHEEL CONFIG:



OE NUMBER QUOTED FOR REFERENCE ONLY

- | | | | |
|---|---|---|---|
| 1.- OEM # 01-14596-000
DP # 02-8-001-221 | 2.- OEM # 04-21778-005
DP # 02-8-053-221 | 3.- OEM # 23-09132-080
DP # 02-8-090-221 | 4.- OEM # TCP-A050AFE
DP # 02-8-055-220 |
| 5.- OEM # 23-09132-080
DP # 02-8-090-221 | 6.- OEM # 04-16566-003
DP # 02-8-085-229 | 7.- OEM # 04-20289-000
DP # 02-8-058-220 | 8.- OEM # 04-20164-001
DP # 02-8-050-221 |

NOTE: Some of Dynaflex OEM Replacement Parts are Universally sized to accommodate a wide range of application and may not be an exact replica of your OEM part. But they will not effect fit and function, typically this applies to tail pipes and flex units.

FREIGHTLINER

PETERBILT

KENWORTH

WESTERN STAR

VOLVO

MACK

INTERNATIONAL

STERLING

FORD

HINO

MODEL:
CORONADO

CLASS:

8

YEAR:

2005

WHEEL BASE:

260

ENGINE SERIAL:

C2A00161

ENGINE MAKE:

CAT

MODEL/SERIES:

C15

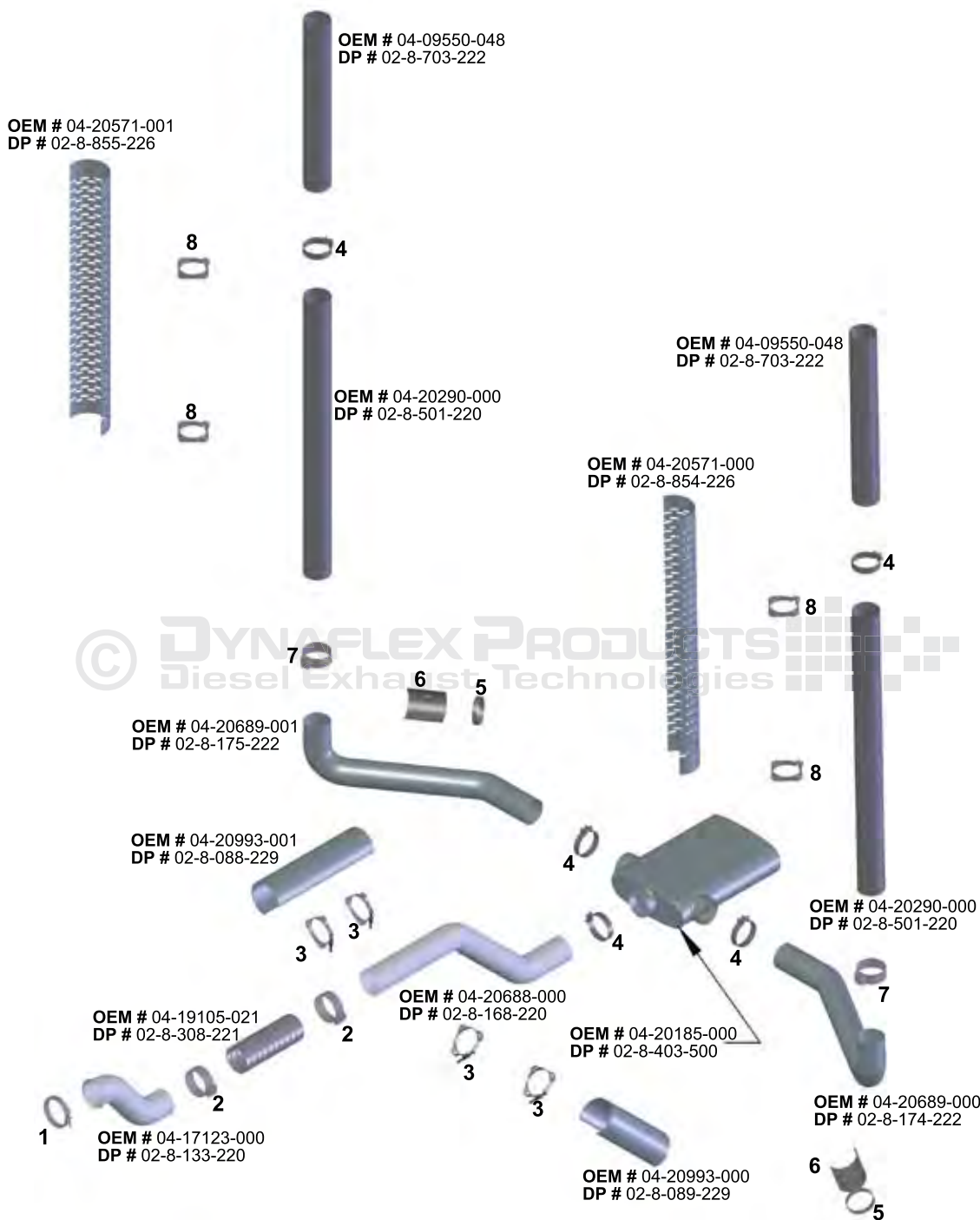
LTR:

15.2

HP:

435-625
@2100RPM

WHEEL CONFIG:



OE NUMBER QUOTED FOR REFERENCE ONLY

1.- OEM # 01-14596-000
DP # 02-8-001-221

2.- OEM # 04-21778-005
DP # 02-8-053-221

3.- OEM # 23-09132-080
DP # 02-8-090-221

4.- OEM # TCP-A050AFE
DP # 02-8-055-220

5.- OEM # 23-09132-080
DP # 02-8-090-221

6.- OEM # 04-16566-003
DP # 02-8-085-229

7.- OEM # 04-20289-000
DP # 02-8-058-220

8.- OEM # 04-20164-001
DP # 02-8-050-221

NOTE: Some of Dynaflex OEM Replacement Parts are Universally sized to accommodate a wide range of application and may not be an exact replica of your OEM part. But they will not effect fit and function, typically this applies to tail pipes and flex units.

FREIGHTLINER

PETERBILT

KENWORTH

WESTERN STAR

VOLVO

MACK

INTERNATIONAL

STERLING

FORD

HINO

MODEL:
FL112 SINGLE EXHAUST

CLASS:

8

YEAR:

2001

WHEEL BASE:

154

ENGINE SERIAL:

2KS62201

ENGINE MAKE:

CAT

MODEL/SERIES:

C-12

LTR:

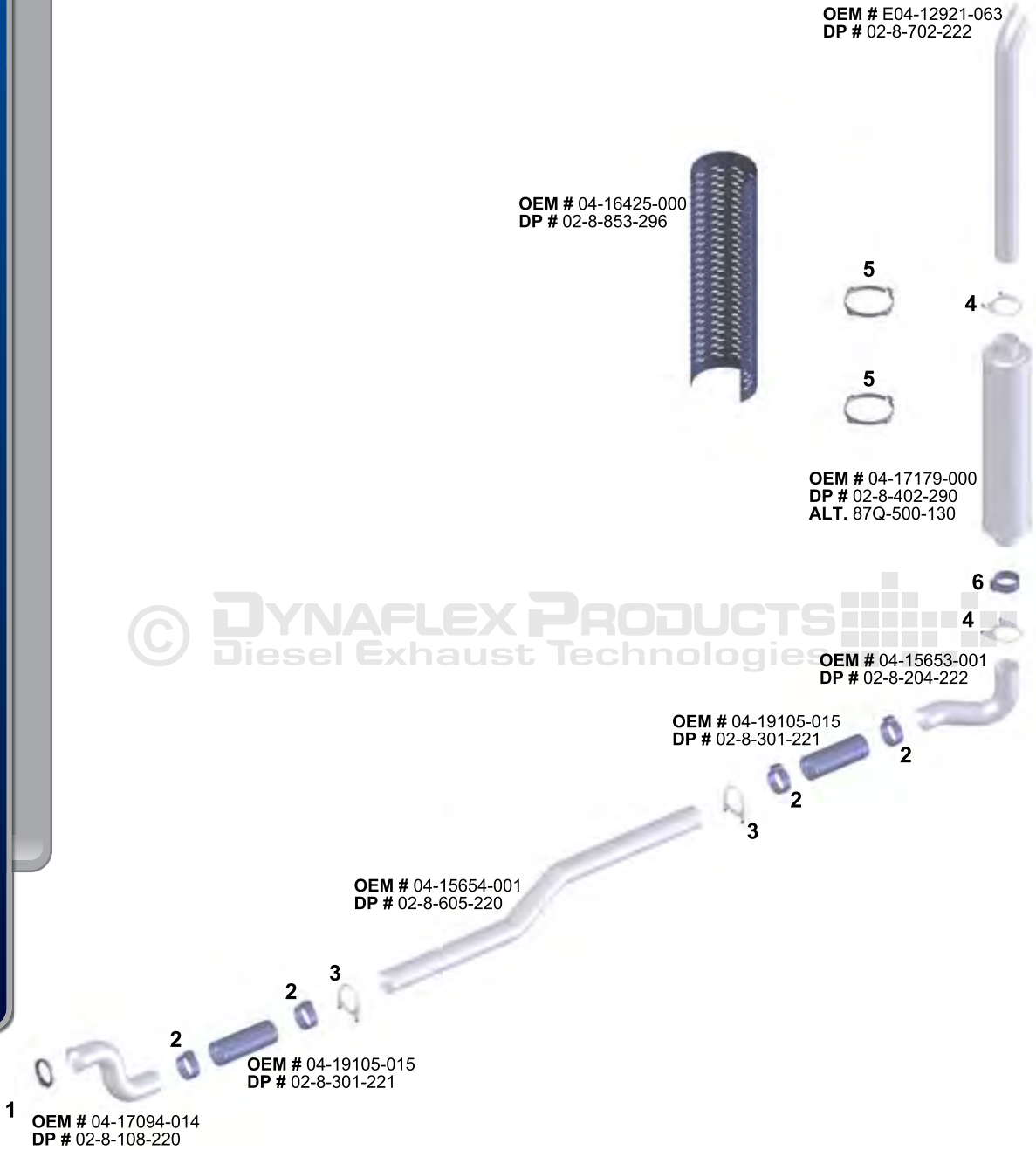
--

HP:

425

WHEEL CONFIG:

2X2



© DYNAFLEX PRODUCTS Diesel Exhaust Technologies

OE NUMBER QUOTED FOR REFERENCE ONLY

- | | | |
|--|--|--|
| 1.- OEM # 01-14596-000
DP # 02-8-001-221 | 2.- OEM # 04-21778-000
DP # 02-8-053-221 | 3.- OEM # A04-09364-000
DP # 02-8-025-225 |
| 4.- OEM # A04-09537-000
DP # 02-8-025-222 | 5.- OEM # A04-12111-001
DP # 02-8-072-295 | 6.- OEM # 04-21778-002
DP # 02-8-053-226 |

NOTE: Some of Dynaflex OEM Replacement Parts are Universally sized to accommodate a wide range of application and may not be an exact replica of your OEM part. But they will not effect fit and function, typically this applies to tail pipes and flex units.

FREIGHTLINER

PETERBILT

KENWORTH

WESTERN STAR

VOLVO

MACK

INTERNATIONAL

STERLING

FORD

HINO

MODEL
330 DAY CAB
SINGLE EXHAUST

CLASS:

6

YEAR:

2001

WHEEL BASE:

4521MM=177.992"

ENGINE SERIAL:

46111358

ENGINE MAKE:

CUMMINS

MODEL/SERIES

ISC260E

LTR:

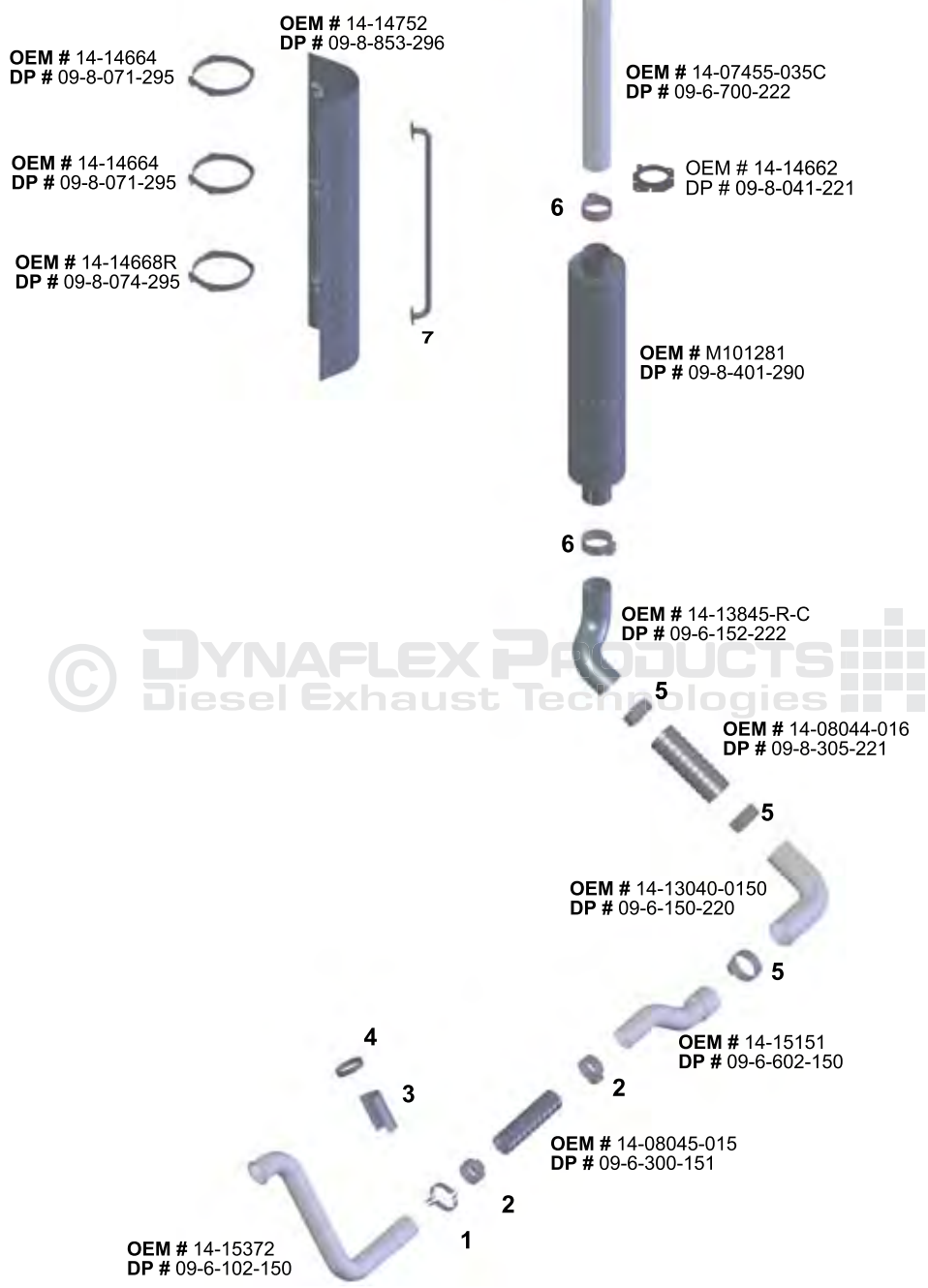
8.3

HP:

260

WHEEL CONFIG:

4X2



OE NUMBER QUOTED FOR REFERENCE ONLY

- | | | | |
|---|---|---|---|
| 1.- OEM # 14-0095
DP # 09-6-025-155 | 2.- OEM # 14-14539
DP # 09-6-051-150 | 3.- OEM # 14-01308
DP # 09-6-085-151 | 4.- OEM # 05-11002
DP # 09-8-092-151 |
| 5.- OEM # 14-11434
DP # 09-8-051-220 | 6.- OEM # 14-14620
DP # 09-8-051-221 | 7.- OEM # 14-14691
DP # 09-8-095-006 | |

NOTE: Some of Dynaflex OEM Replacement Parts are Universally sized to accommodate a wide range of application and may not be an exact replica of your OEM part. But they will not effect fit and function, typically this applies to tail pipes and flex units.

FREIGHTLINER

PETERBILT

KENWORTH

WESTERN STAR

VOLVO

MACK

INTERNATIONAL

STERLING

FORD

HINO

MODEL:
330 MID RANGE
MEDIUM DUTY

CLASS:

6

YEAR:

2002

WHEEL BASE:

0006502M=256"

ENGINE SERIAL:

HEP09889

ENGINE MAKE:

CAT

MODEL/SERIES:

3126E

LTR:

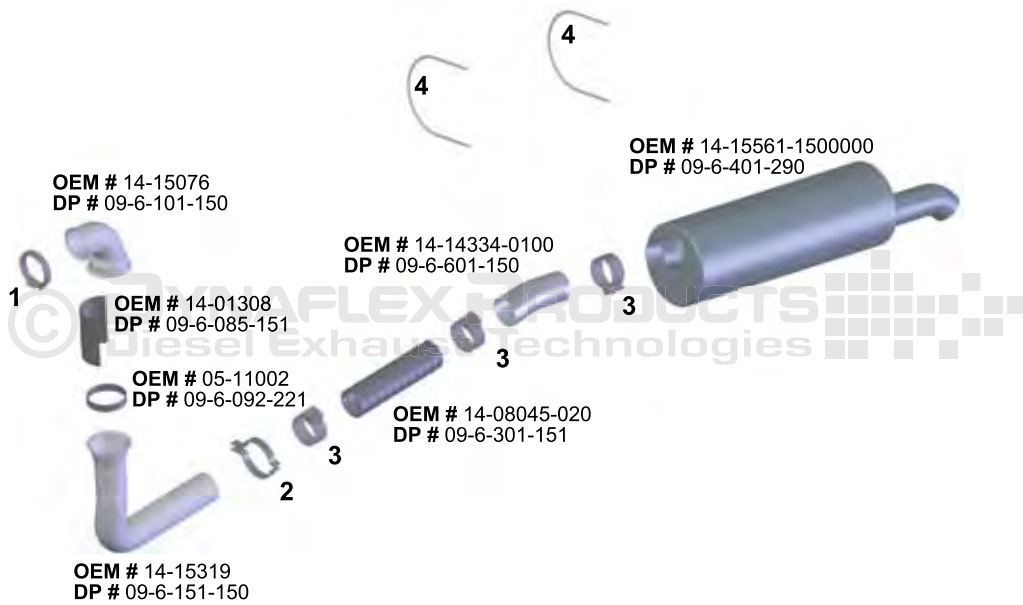
-

HP:

275@
2200RPM

WHEEL CONFIG:

4X2



OE NUMBER QUOTED FOR REFERENCE ONLY

1.- OEM # 1W2431
DP # 09-6-001-151

2.- OEM # 14-00095
DP # 09-6-025-150

3.- OEM # 14-12640
DP # 09-6-051-151

4.- OEM # 14-14332
DP # 09-6-026-290

NOTE: Some of Dynaflex OEM Replacement Parts are Universally sized to accommodate a wide range of application and may not be an exact replica of your OEM part. But they will not effect fit and function, typically this applies to tail pipes and flex units.

FREIGHTLINER

PETERBILT

KENWORTH

WESTERN STAR

VOLVO

MAK

INTERNATIONAL

STERLING

FORD

HIHO

MODEL:
385 DAY CAB

CLASS:

8

YEAR:

2000

WHEEL BASE:

5664mm

ENGINE SERIAL:

MBL00424

ENGINE MAKE:

CAT

MODEL/SERIES

C12

LTR:

12.7L

HP:

335@-2100RPM

WHEEL CONFIG:

OEM # 14-14752
DP # 09-8-853-296

OEM # 14-15562-1324
DP # 09-8-703-222

OEM # 14-15562-1324
DP # 09-8-703-222

OEM # 14-14752
DP # 09-8-853-296

OEM # M101278
DP # 09-8-904-290

OEM # M101278
DP # 09-8-904-290

OEM # 14-15500
DP # 09-8-542-223

OEM # 14-13940-0460
DP # 09-8-609-223

OEM # 14-13436
DP # 09-8-305-221

OEM # 14-13409
DP # 09-8-159-223

OEM # 14-15085
DP # 09-8-103-223

OEM # 14-15501
DP # 09-8-164-223

OE NUMBER QUOTED FOR REFERENCE ONLY

1.- OEM # 05-15878
DP # 09-8-003-221

3.- OEM # 14-01661
DP # 09-8-085-221

5.- OEM # 14-12620
DP # 09-8-053-221

7.- OEM # 14-14668R
DP # 09-8-074-295

9.- OEM # 14-14662
DP # 09-8-041-221

2.- OEM # 14-11434
DP # 09-8-051-220

4.- OEM # 05-19066-550
DP # 09-8-092-221

6.- OEM # 14-14668L
DP # 09-8-073-295

8.- OEM # 14-14664
DP # 09-8-071-295

10.- OEM # 14-14691
DP # 09-8-095-006

NOTE: Some of Dynaflex OEM Replacement Parts are Universally sized to accommodate a wide range of application and may not be an exact replica of your OEM part. But they will not effect fit and function, typically this applies to tail pipes and flex units.

FREIGHTLINER

PETERBILT

KENWORTH

WESTERN STAR

VOLVO

MACK

INTERNATIONAL

STERLING

FORD

HINO

MODEL:
379 UNIBUILT

CLASS:

8

YEAR:

2003

WHEEL BASE:

6858mm

ENGINE SERIAL:

BMN05947

ENGINE MAKE:

CAT

MODEL/SERIES:

C15

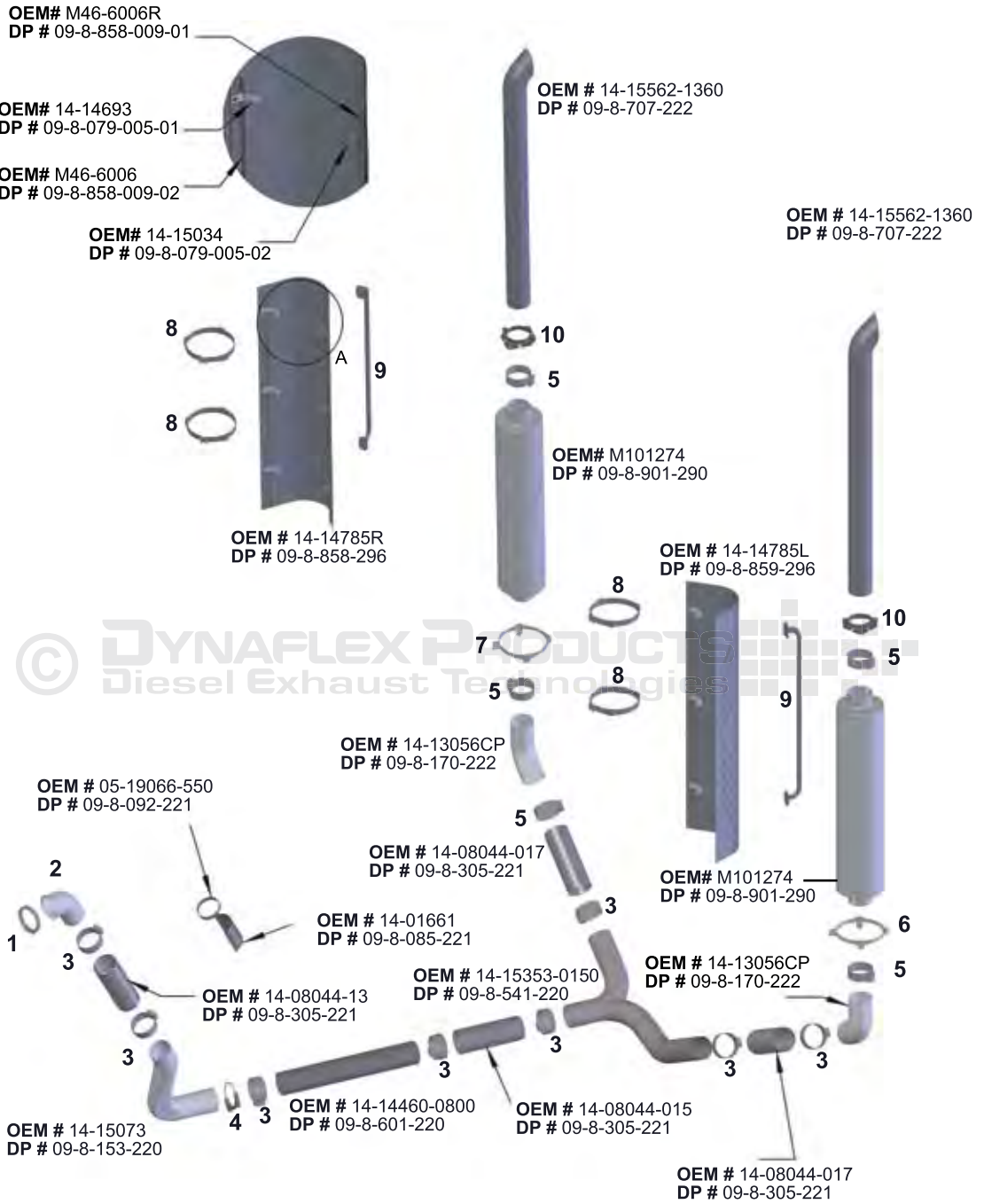
LTR:

15.2L

HP:

475@
2100RPM

WHEEL CONFIG:



OE NUMBER QUOTED FOR REFERENCE ONLY

- | | | | | |
|---|---|---|---|--|
| 1.- OEM # 05-15878
DP # 09-8-003-221 | 2.- OEM # 14-14256
DP # 09-8-107-220 | 3.- OEM # 14-11434
DP # 09-8-051-220 | 4.- OEM # 14-11855
DP # 09-8-025-225 | 5.- OEM 14-12620
DP # 09-8-051-221 |
| 6.- OEM 14-14696L
DP # 09-8-075-290 | 7.- OEM 14-14696R
DP # 09-8-076-290 | 8.- OEM 14-14695
DP # 09-8-079-290 | 9.- OEM 14-14691
DP # 09-8-095-006 | 10.- OEM 14-14662
DP # 09-8-041-221 |

NOTE: Some of Dynaflex OEM Replacement Parts are Universally sized to accommodate a wide range of application and may not be an exact replica of your OEM part. But they will not effect fit and function, typically this applies to tail pipes and flex units.

FREIGHTLINER

PETERBILT

KENWORTH

WESTERN STAR

VOLVO

MACK

INTERNATIONAL

STERLING

FORD

HIHO

MODEL:
387

CLASS:

8

YEAR:

2006

WHEEL BASE:

5588mm

ENGINE SERIAL:

MXS33031

ENGINE MAKE:

CAT

MODEL/SERIES:

C15

LTR:

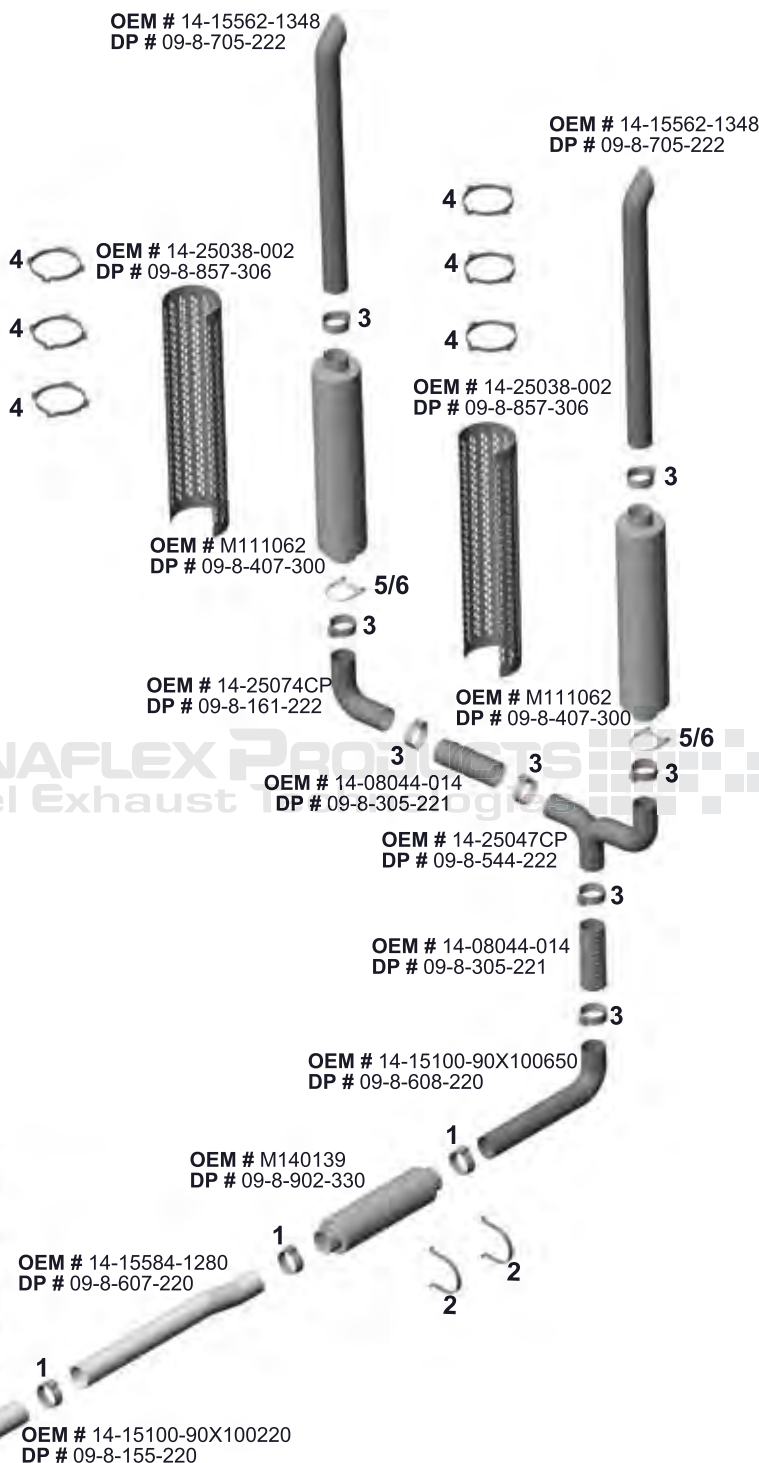
15.7L

HP:

475

2100RPM

WHEEL CONFIG:



OE NUMBER QUOTED FOR REFERENCE ONLY

- | | | |
|---|---|---|
| 1.- OEM # 14-11434
DP # 09-8-051-220 | 2.- OEM # 14-15569-001
DP # 09-8-078-330 | 3.- OEM # 14-12620
DP # 09-8-053-221 |
| 4.- OEM # 14-25042
DP # 09-8-080-300 | 5.- OEM # 14-13023
DP # 09-8-048-225 | 6.- OEM # 14-12498
DP # 09-8-043-225 |

NOTE: Some of Dynaflex OEM Replacement Parts are Universally sized to accommodate a wide range of application and may not be an exact replica of your OEM part. But they will not effect fit and function, typically this applies to tail pipes and flex units.

FREIGHTLINER

PETERBILT

KENWORTH

WESTERN STAR

VOLVO

MACK

INTERNATIONAL

STERLING

FORD

HINO

MODEL:
378

CLASS:

8

YEAR:

1996

WHEEL BASE:
5969mm OR 253"

ENGINE SERIAL:

6067GK60

ENGINE MAKE:

DETROIT DIESEL

MODEL/SERIES:

60 DDC111

LTR:

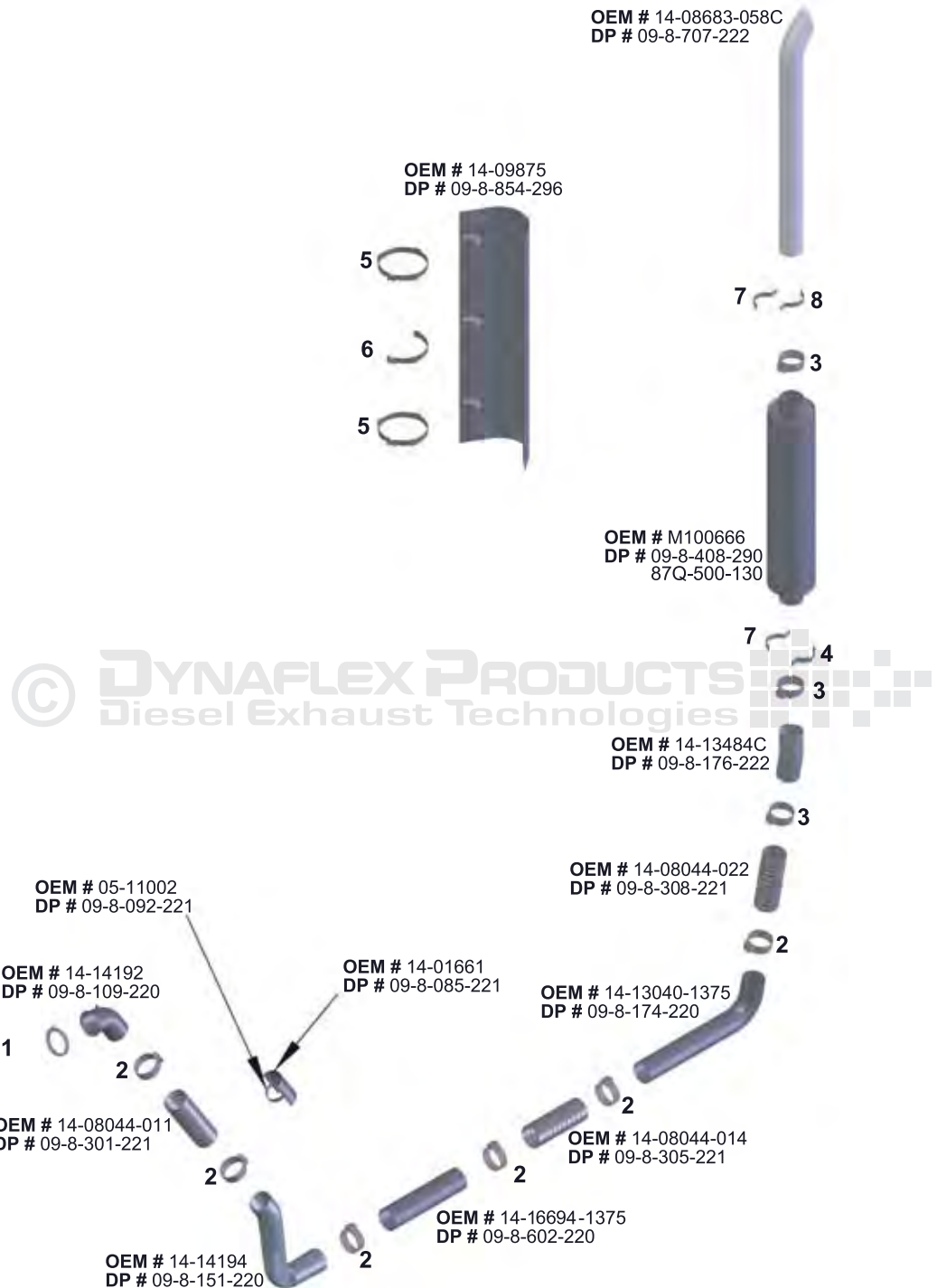
12.7L

HP:

430

WHEEL CONFIG:

4X2



© DYNAFLEX PRODUCTS Diesel Exhaust Technologies

OE NUMBER QUOTED FOR REFERENCE ONLY

- | | | | |
|---|---|---|---|
| 1.) OEM # 05-15878
DP # 09-8-003-221 | 3.) OEM # 14-12620
DP # 09-8-051-221 | 5.) OEM # 14-14623
DP # 09-8-096-295 | 7.) OEM # 14-02498
DP # 09-8-043-225 |
| 2.) OEM # 14-11434
DP # 09-8-051-220 | 4.) OEM # 14-14381
DP # 09-8-048-225 | 6.) OEM # 14-13234
DP # 09-8-054-295 | 8.) OEM # 14-12796
DP # 09-8-097-220 |

NOTE: Some of Dynaflex OEM Replacement Parts are Universally sized to accommodate a wide range of application and may not be an exact replica of your OEM part. But they will not effect fit and function, typically this applies to tail pipes and flex units.

MODEL:
379X UNIBUILT ULTRA CAB

FREIGHTLINER

CLASS:

8

PETERBILT

YEAR:

2006

KENWORTH

WHEEL BASE:

300

WESTERN STAR

ENGINE SERIAL:

MXS12295

ENGINE MAKE:

CAT

VOLVO

MODEL/SERIES:

C15

LTR:

15L

MACK

HP:

475

INTERNATIONAL

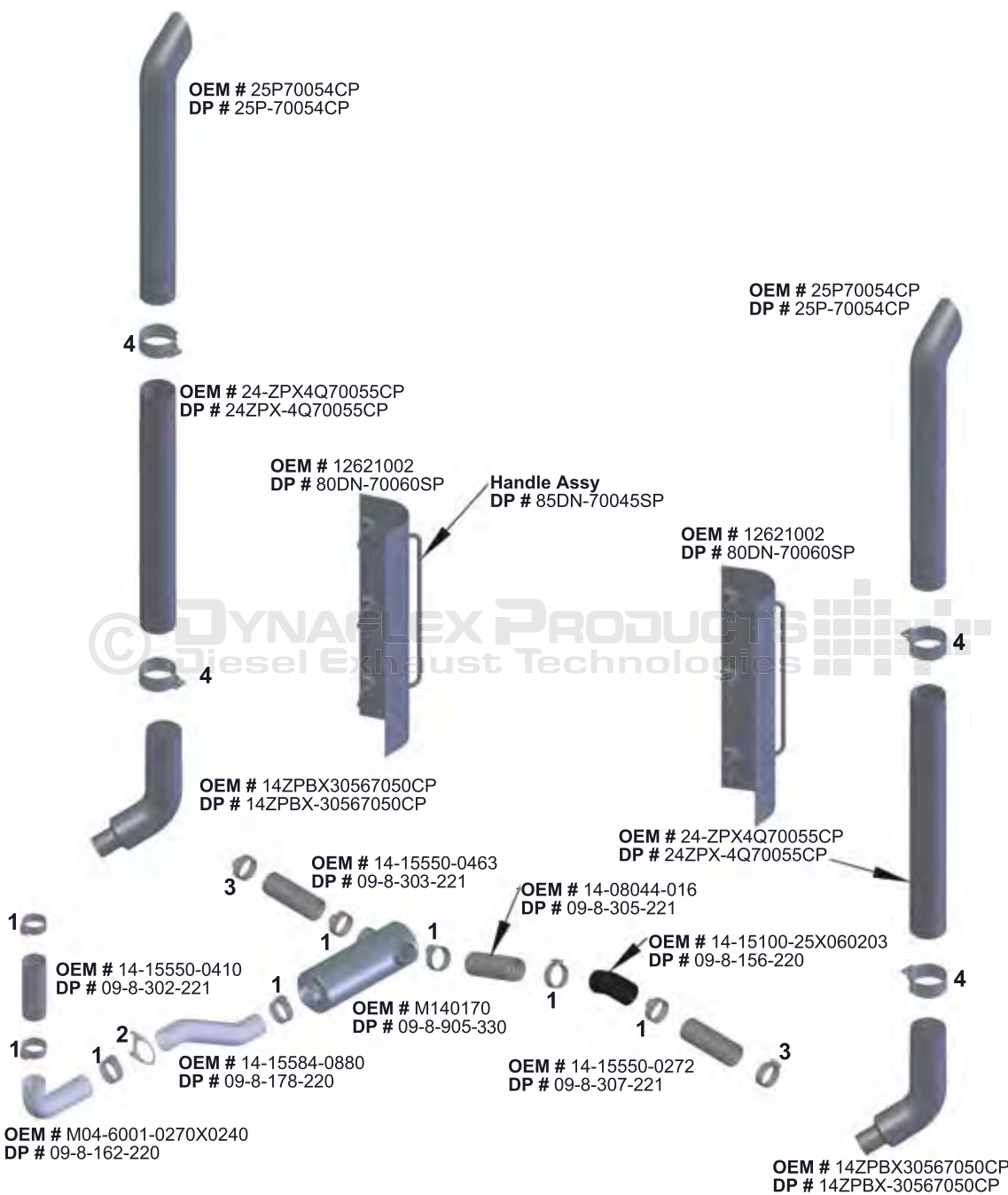
WHEEL CONFIG:

4X2

STERLING

FORD

HINO



OE NUMBER QUOTED FOR REFERENCE ONLY

1.- OEM # 14-11434
DP # 09-8-051-220

3.- OEM # 14-12620
DP # 09-8-051-221

2.- OEM # 14-11855
DP # 09-8-025-225

4.- OEM # 50BJ-APB700SP
DP # 50BJ-APB700SP

NOTE: Some of Dynaflex OEM Replacement Parts are Universally sized to accommodate a wide range of application and may not be an exact replica of your OEM part. But they will not effect fit and function, typically this applies to tail pipes and flex units.

FREIGHTLINER

PETERBILT

KENWORTH

WESTERN STAR

VOLVO

MACK

INTERNATIONAL

STERLING

FORD

HINO

MODEL:
377

CLASS:
8

YEAR:
1999

WHEEL BASE:
6324MM/249"/20.75

ENGINE SERIAL:
6R0490637

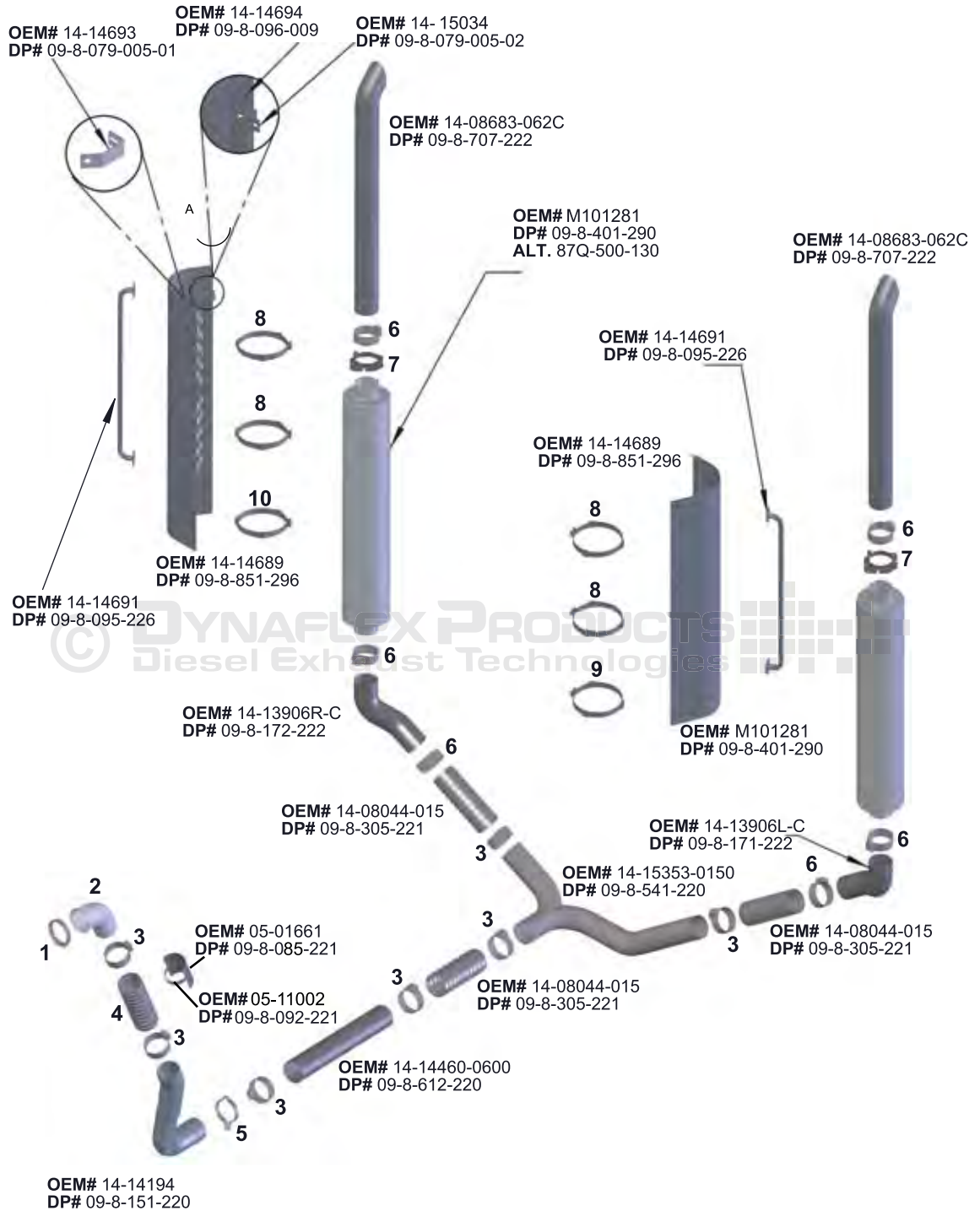
ENGINE MAKE:
DETROIT DIESEL

MODEL/SERIES:
60

LTR:
12.7L

HP:
500@
2100RPM

WHEEL CONFIG:



OE NUMBER QUOTED FOR REFERENCE ONLY

- | | | | | |
|--------------------------------------|--|---------------------------------------|---------------------------------------|---|
| 1.-OEM# 05-15878
DP# 09-8-003-221 | 3.- OEM# 14-11434
DP# 09-8-051-220 | 5.- OEM# 14-00924
DP# 02-8-044-228 | 7.- OEM# 14-14662
DP# 09-8-041-221 | 9.- OEM# 14-14696L
DP# 09-8-075-290 |
| 2.-OEM# 14-15329
DP# 09-8-101-220 | 4.- OEM# 14-0844-012
DP# 09-8-301-221 | 6.- OEM# 14-12620
DP# 09-8-051-221 | 8.- OEM# 14-14695
DP# 09-8-079-290 | 10.- OEM# 14-14696R
DP# 09-8-076-290 |

NOTE: Some of Dynaflex OEM Replacement Parts are Universally sized to accommodate a wide range of application and may not be an exact replica of your OEM part. But they will not effect fit and function, typically this applies to tail pipes and flex units.

FREIGHTLINER

PETERBILT

KENWORTH

WESTERN STAR

VOLVO

MACK

INTERNATIONAL

STERLING

FORD

HINO

MODEL:
387 SINGLE EXHAUST

CLASS:

8

YEAR:

2002

WHEEL BASE:

238"=6045mm

ENGINE SERIAL:

6NZ89499

ENGINE MAKE:

CAT

MODEL/SERIES:

C15

LTR:

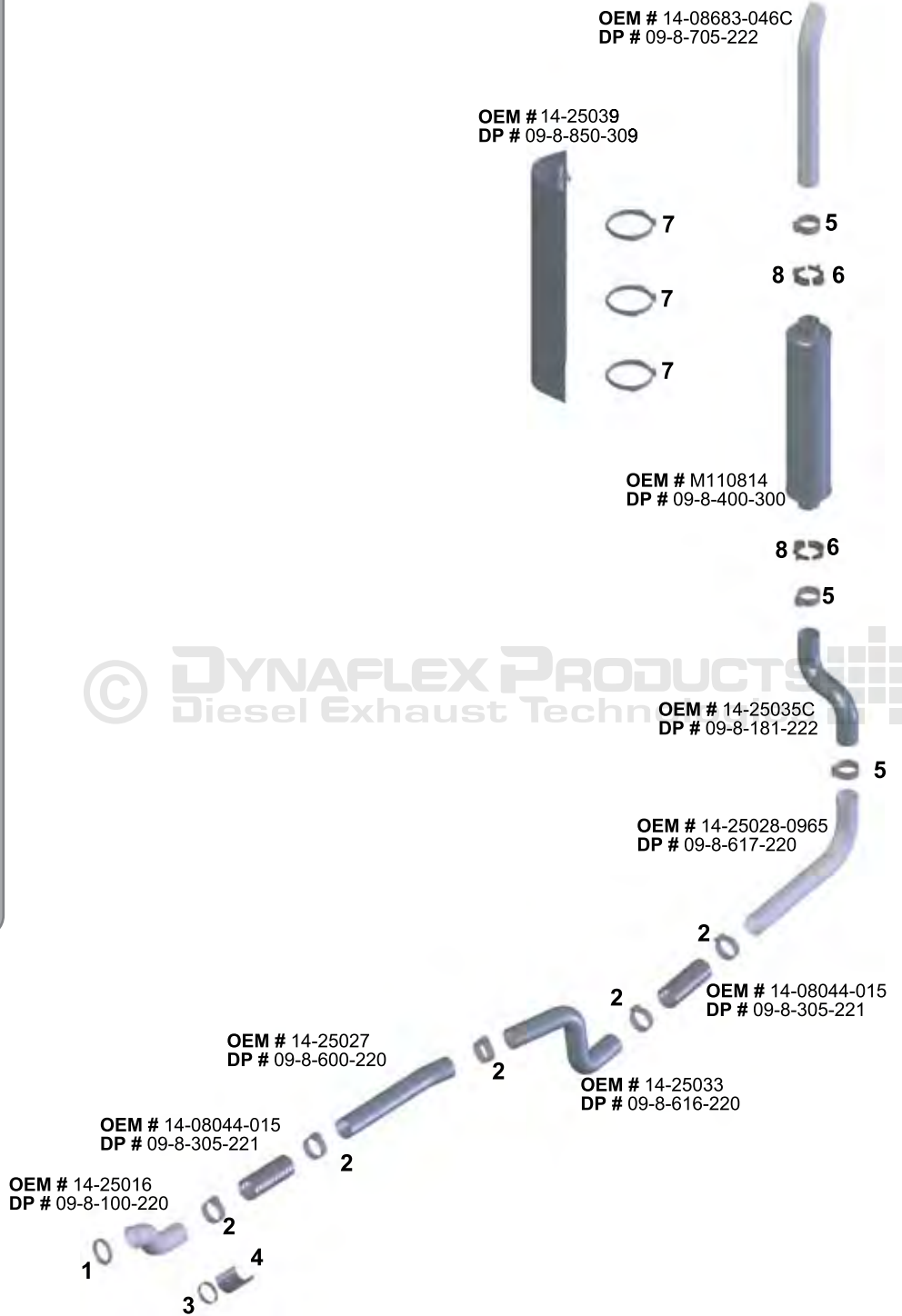
15.2L

HP:

415@
2100RPM

WHEEL CONFIG:

4X2



OE NUMBER QUOTED FOR REFERENCE ONLY

- | | | | |
|---|---|---|---|
| 1.- OEM # 1010-1
DP # 09-8-003-321 | 2.- OEM # 14-11434
DP # 09-8-051-220 | 3.- OEM # 05-19066-650
DP # 09-8-092-221 | 4.- OEM # 14-01661
DP # 09-8-085-221 |
| 5.- OEM # 14-12620
DP # 09-8-051-221 | 6.- OEM # 14-12498
DP # 09-8-043-225 | 7.- OEM # 14-25042
DP # 09-8-080-300 | 8.- OEM # 14-13023
DP # 09-8-048-225 |

NOTE: Some of Dynaflex OEM Replacement Parts are Universally sized to accommodate a wide range of application and may not be an exact replica of your OEM part. But they will not effect fit and function, typically this applies to tail pipes and flex units.

FREIGHTLINER

PETERBILT

KENWORTH

WESTERN STAR

VOLVO

MACK

INTERNATIONAL

STERLING

FORD

HINO

MODEL
379 DAY CAB

CLASS:

8

YEAR:

1999

WHEEL BASE:

5588mm

ENGINE SERIAL:

6R0556206

ENGINE MAKE:

DD

MODEL/SERIES:

60

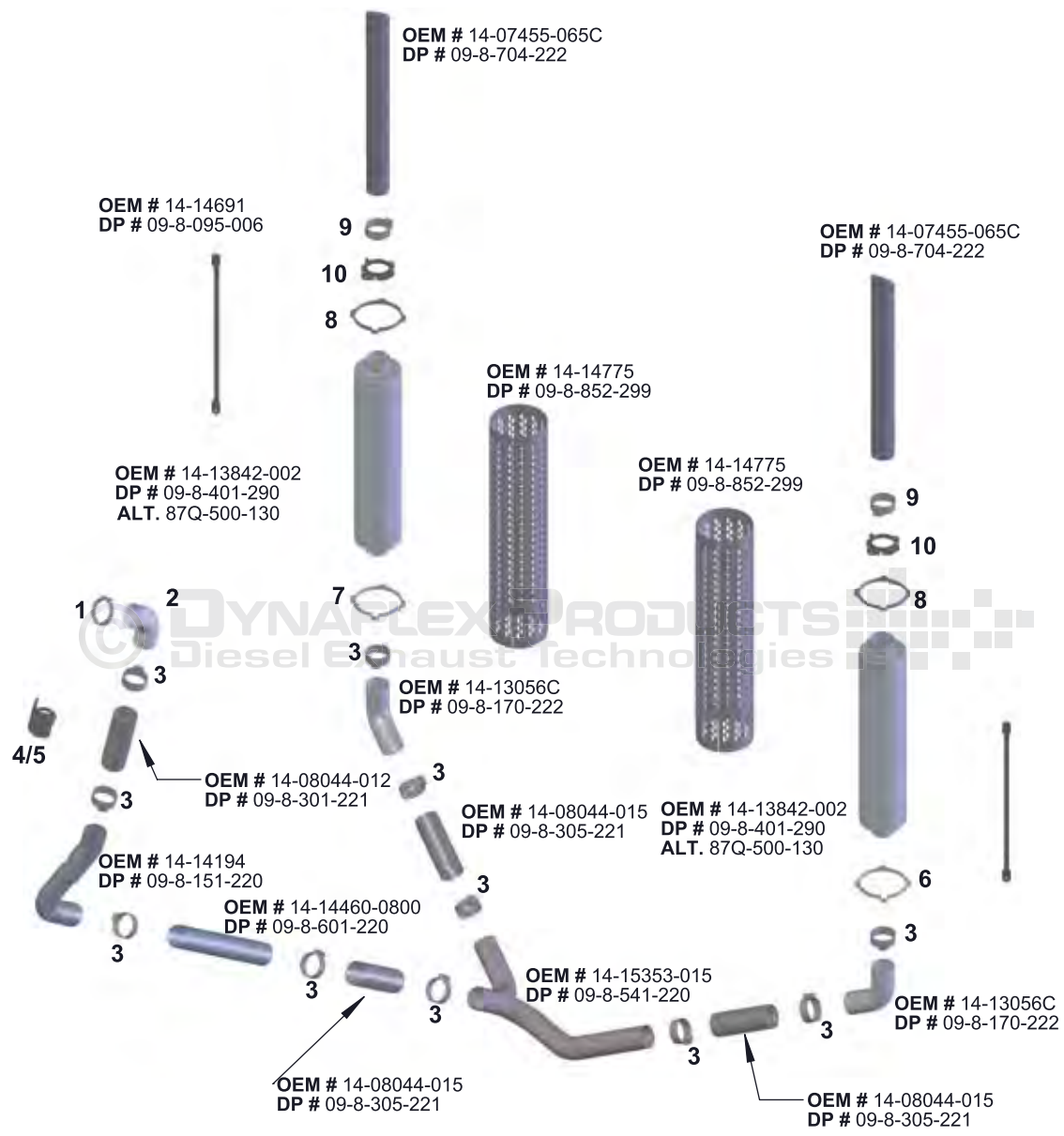
LTR:

12.7L

HP:

500@-2100RPM

WHEEL CONFIG:



OE NUMBER QUOTED FOR REFERENCE ONLY

- | | | | | |
|--|--|---|---|--|
| 1.- OEM # 14-15878
DP # 09-8-003-221 | 2.- OEM # 14-15329
DP # 09-8-101-220 | 3.- OEM # 14-11434
DP # 09-8-051-220 | 4.- OEM # 14-01661
DP # 09-8-085-221 | 5.- OEM # 05-11002
DP # 09-8-092-221 |
| 6.- OEM # 14-14668L
DP # 09-8-073-295 | 7.- OEM # 14-14668R
DP # 09-8-074-295 | 8.- OEM # 14-14664
DP # 09-8-071-295 | 9.- OEM # 14-12620
DP # 09-8-053-221 | 10.- OEM # 14-14662
DP # 09-8-041-221 |

NOTE: Some of Dynaflex OEM Replacement Parts are Universally sized to accommodate a wide range of application and may not be an exact replica of your OEM part. But they will not effect fit and function, typically this applies to tail pipes and flex units.

FREIGHTLINER

PETERBILT

KENWORTH

WESTERN STAR

VOLVO

MACK

INTERNATIONAL

STERLING

FORD

HINO

MODEL:
379 UNIBUILT HORIZONTAL

CLASS:

8

YEAR:

2006

WHEEL BASE:

6400MM

ENGINE SERIAL:

NX526913

ENGINE MAKE:

CAT

MODEL/SERIES:

C15

LTR:

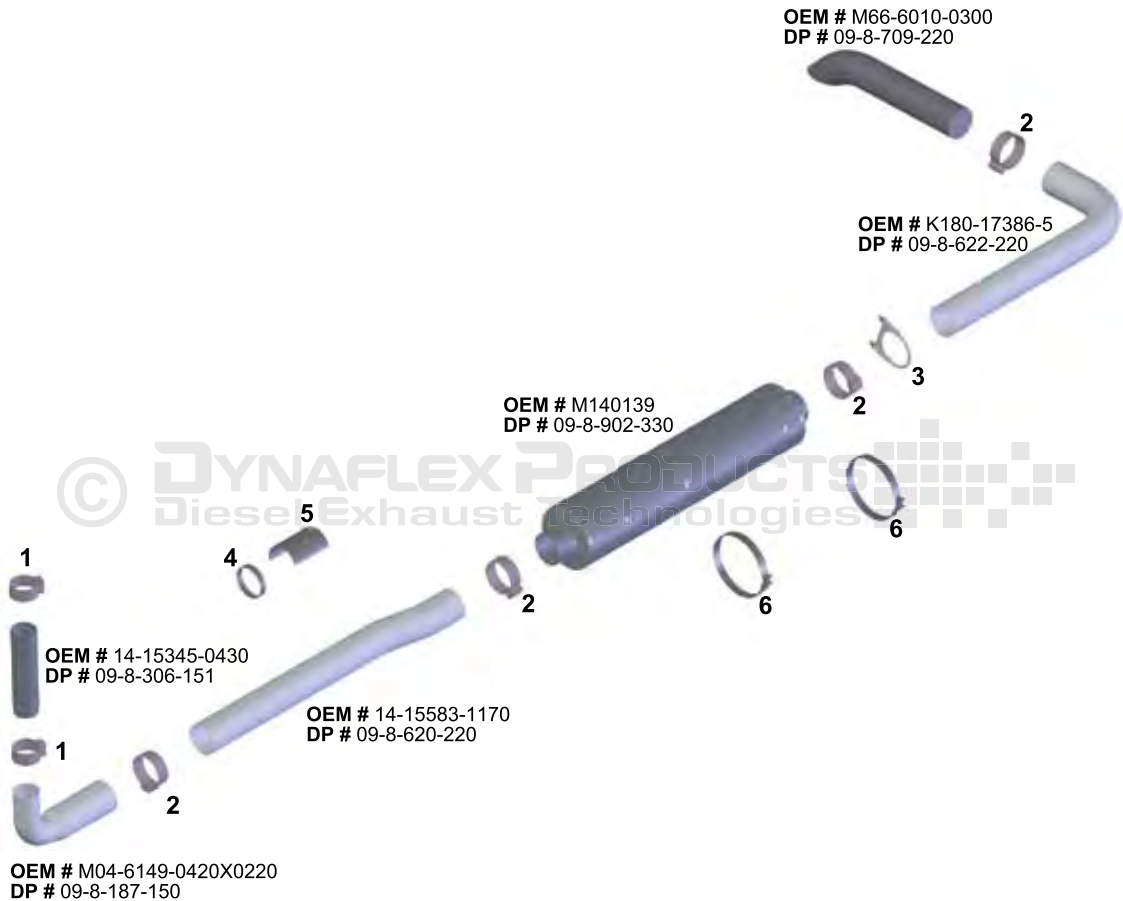
15

HP:

475@2100RPM

WHEEL CONFIG:

4X2



OE NUMBER QUOTED FOR REFERENCE ONLY

- | | | |
|---|---|---|
| 1.- OEM # 14-12640
DP # 09-6-051-151 | 2.- OEM # 14-11434
DP # 09-8-051-220 | 3.- OEM # 14-11855
DP # 09-8-025-225 |
| 4.- OEM # 05-19066-450
DP # 09-8-090-151 | 5.- OEM # 14-01308
DP # 09-6-085-151 | 6.- OEM # 14-15569-001
DP # 09-8-078-330 |

NOTE: Some of Dynaflex OEM Replacement Parts are Universally sized to accommodate a wide range of application and may not be an exact replica of your OEM part. But they will not effect fit and function, typically this applies to tail pipes and flex units.

MODEL:
379 DAY CAB
HORIZONTAL EXHAUST

CLASS:

8

YEAR:

2006

WHEEL BASE:

5029mm

ENGINE SERIAL:

KCB69957

ENGINE MAKE:

CAT

MODEL/SERIES:

C13

LTR:

12.5

HP:

475
470@2100RPM

WHEEL CONFIG:

FREIGHTLINER

PETERBILT

KENWORTH

WESTERN STAR

VOLVO

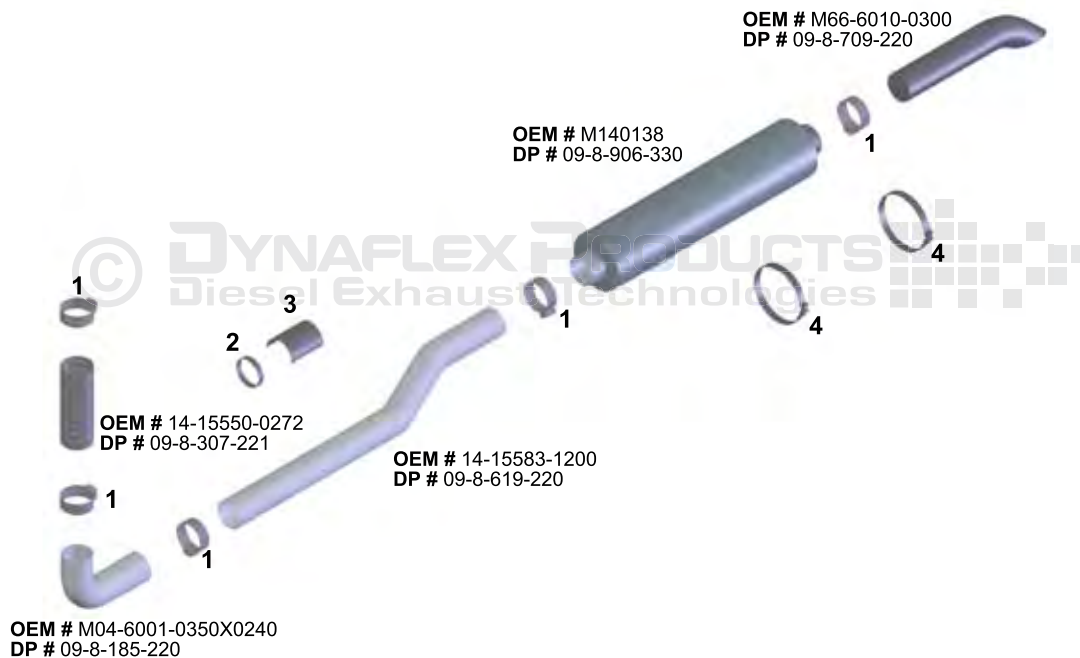
MAK

INTERNATIONAL

STERLING

FORD

HINO



OE NUMBER QUOTED FOR REFERENCE ONLY

1.- OEM # 14-11434
DP # 09-8-051-220

2.- OEM # 05-19066-550
DP # 09-8-092-221

3.- OEM # 14-01661
DP # 09-8-085-221

4.- OEM # 14-15569-001
DP # 09-8-078-330

NOTE: Some of Dynaflex OEM Replacement Parts are Universally sized to accommodate a wide range of application and may not be an exact replica of your OEM part. But they will not effect fit and function, typically this applies to tail pipes and flex units.

FREIGHTLINER

PETERBILT

KENWORTH

WESTERN STAR

VOLVO

MACK

INTERNATIONAL

STERLING

FORD

HINO

MODEL:
379 UNIBUILT

CLASS:

8

YEAR:

1999

WHEEL BASE:

6426 MM

ENGINE SERIAL:

06R0451914

ENGINE MAKE:

DETROIT DIESEL

MODEL/SERIES:

60

LTR:

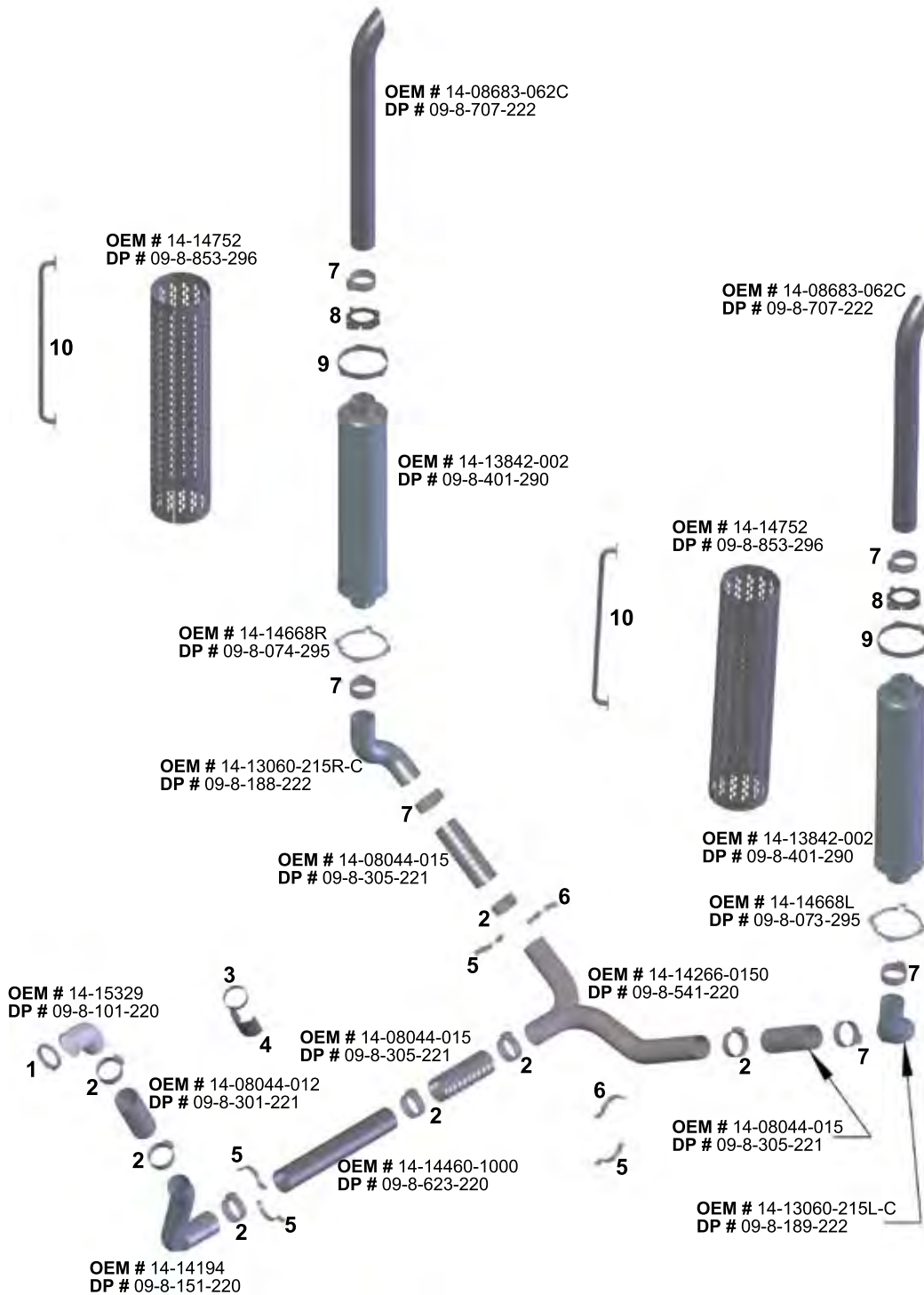
12.7L

HP:

430/500@
2100RPM

WHEEL CONFIG:

4X2



OE NUMBER QUOTED FOR REFERENCE ONLY

1.- OEM # 05-15878 DP # 09-8-003-221	2.- OEM # 14-11434 DP # 09-8-051-220	3.- OEM # 05-11002 DP # 09-8-092-221	4.- OEM # 14-01661 DP # 09-8-085-221	5.- OEM # 14-00924 DP # 09-8-044-228
6.- OEM # 14-13847 DP # 09-8-049-228	7.- OEM # 14-12620 DP # 09-8-051-221	8.- OEM # 14-14662 DP # 09-8-041-221	9.- OEM # 14-14664 DP # 09-8-071-295	10.- OEM # 14-14691 DP # 09-8-095-006

NOTE: Some of Dynaflex OEM Replacement Parts are Universally sized to accommodate a wide range of application and may not be an exact replica of your OEM part. But they will not effect fit and function, typically this applies to tail pipes and flex units.

FREIGHTLINER

PETERBILT

KENWORTH

WESTERN STAR

VOLVO

MACK

INTERNATIONAL

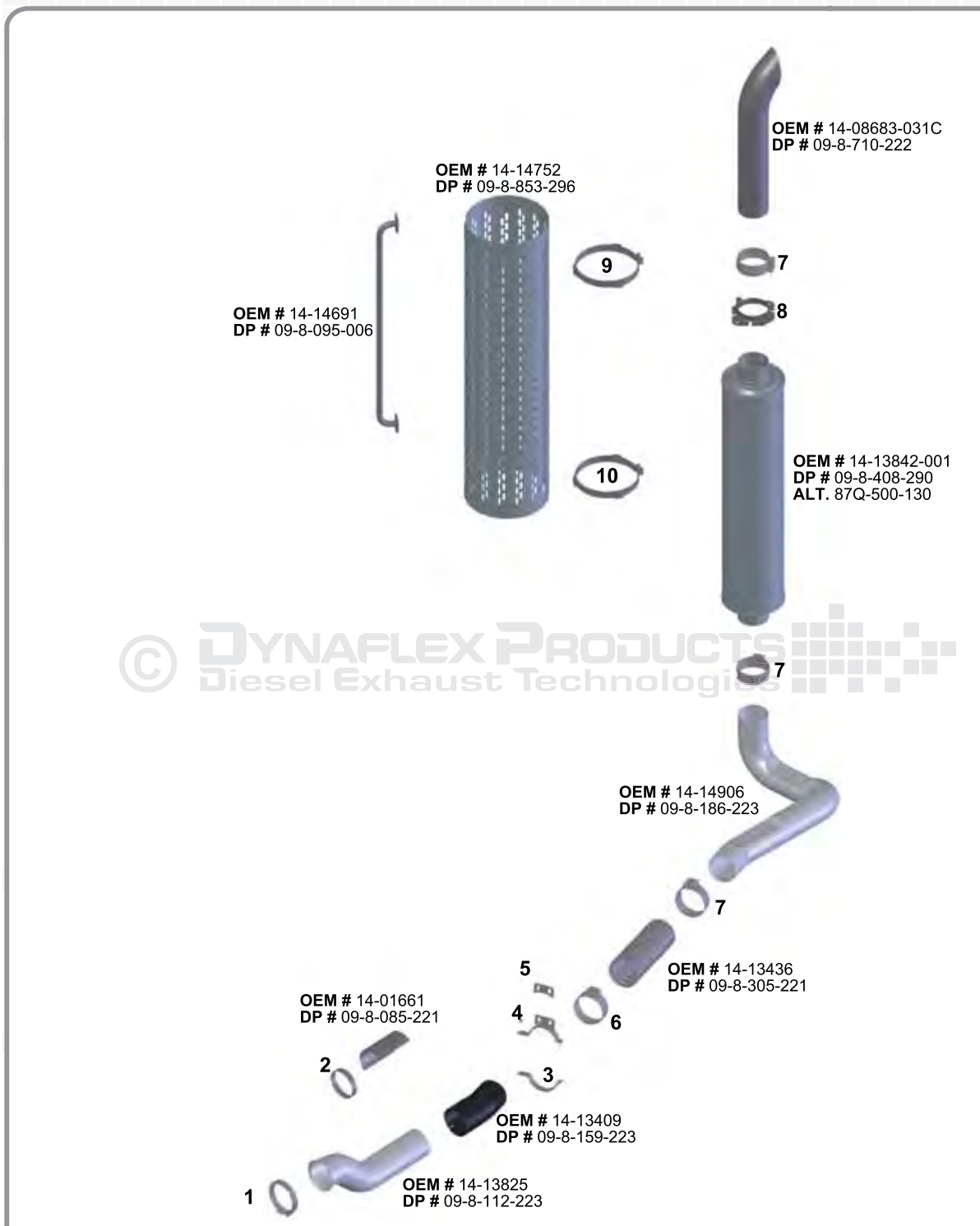
STERLING

FORD

HINO

MODEL:
378 SINGLE EXHAUST

CLASS:	8
YEAR:	1998
WHEEL BASE:	5334 MM
ENGINE SERIAL:	11858543
ENGINE MAKE:	CUMMINS
MODEL/SERIES:	N14ESPT
LTR:	14
HP:	435/500 @2100RPM
WHEEL CONFIG:	4X2



© DYNAFLEX PRODUCTS Diesel Exhaust Technologies

OE NUMBER QUOTED FOR REFERENCE ONLY

1.- OEM # 186917 DP # 09-8-003-221	2.- OEM # 05-11002 DP # 09-8-092-221	3.- OEM # 14-13932 DP # 09-8-045-225	4.- OEM # 14-13926 DP # 09-8-046-225	5.- OEM # 14-13795 DP # 09-8-047-005
6.- OEM # 14-11434 DP # 09-8-051-220	7.- OEM # 14-12620 DP # 09-8-051-221	8.- OEM # 14-14662 DP # 09-8-041-221	9.- OEM # 14-14664 DP # 09-8-071-295	10.- OEM # 14-14668R DP # 09-8-074-295

NOTE: Some of Dynaflex OEM Replacement Parts are Universally sized to accommodate a wide range of application and may not be an exact replica of your OEM part. But they will not effect fit and function, typically this applies to tail pipes and flex units.

FREIGHTLINER

PETERBILT

KENWORTH

WESTERN STAR

VOLVO

MACK

INTERNATIONAL

STERLING

FORD

HINO

MODEL:
T300 MEDIUM DUTY

CLASS:

3

YEAR:

2003

WHEEL BASE:

0006604M

ENGINE SERIAL:

KAL05084

ENGINE MAKE:

CAT

MODEL/SERIES:

CAT7

LTR:

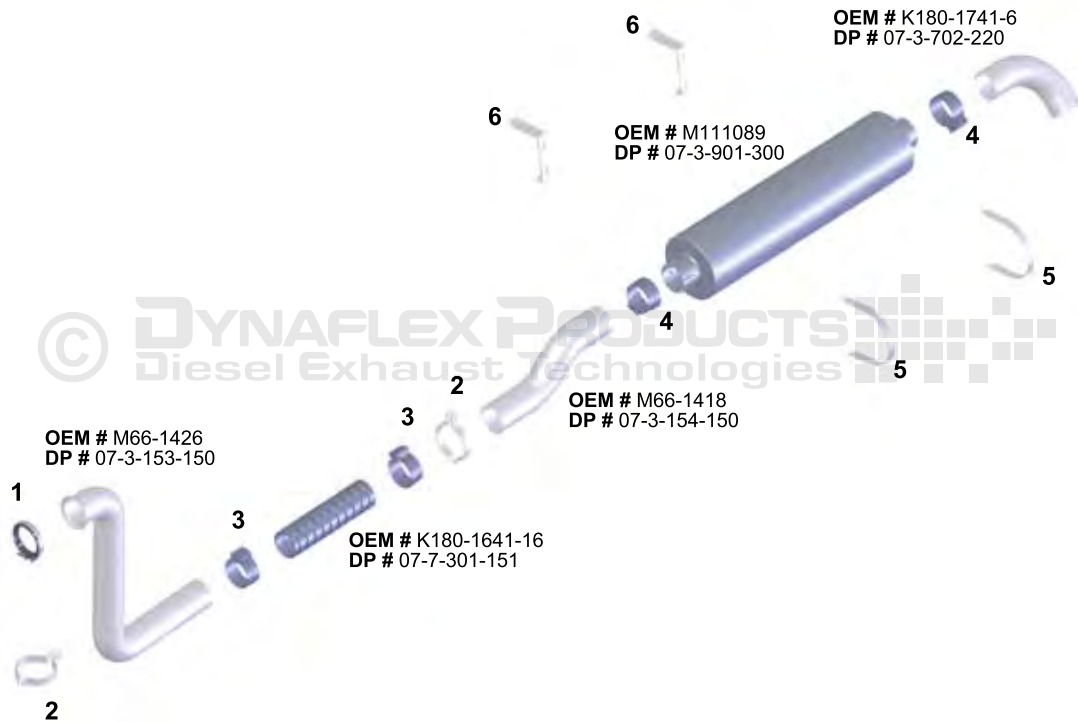
7.2

HP:

230@2200RPM

WHEEL CONFIG:

2X2



OE NUMBER QUOTED FOR REFERENCE ONLY

1.- OEM # 10028-6
DP # 07-8-015-151

2.- OEM # K077-100
DP # 07-3-041-155

3.- OEM # K077-345-1
DP # 07-3-051-150

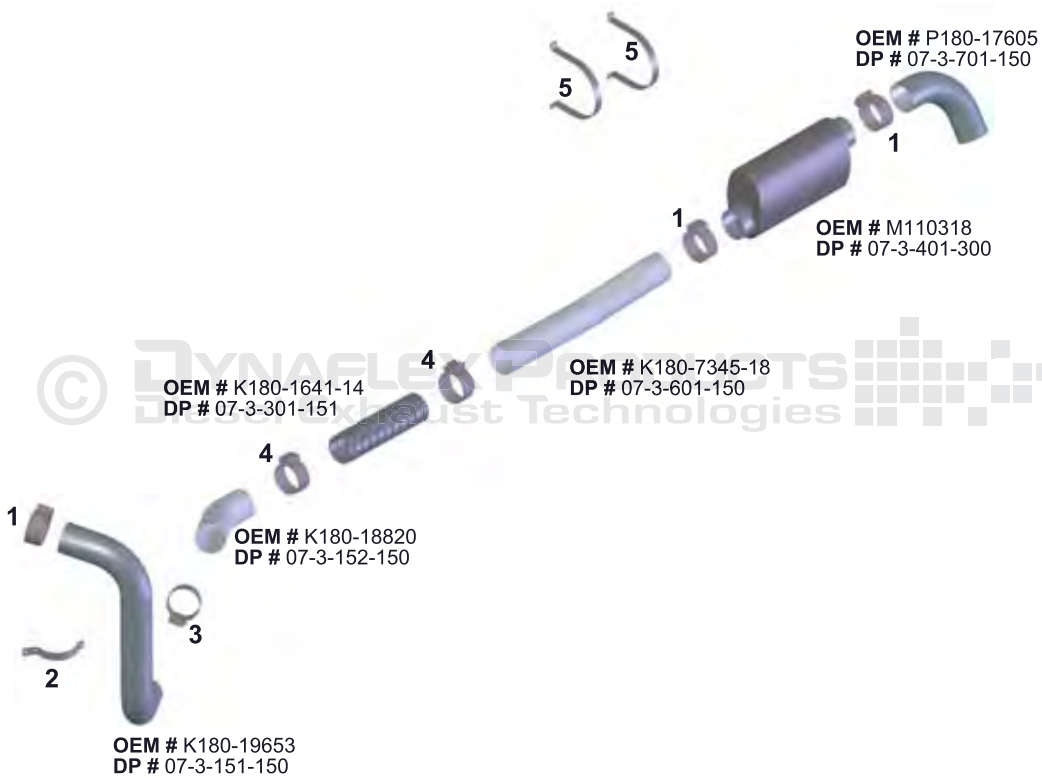
4.- OEM # 40AA
DP # 07-3-052-150

5.- OEM # K231-460
DP # 07-3-067-000

6.- OEM # K054-2915
DP # 07-3-065-000

NOTE: Some of Dynaflex OEM Replacement Parts are Universally sized to accommodate a wide range of application and may not be an exact replica of your OEM part. But they will not effect fit and function, typically this applies to tail pipes and flex units.

MODEL T300 MEDIUM DUTY	FREIGHTLINER
CLASS: 3	PETERBILT
YEAR: 2004	KENWORTH
WHEEL BASE: 0006451mm Cut off 0002489m	WESTERN STAR
ENGINE SERIAL: 48383280	VOLVO
ENGINE MAKE: CUMMINS	MACK
MODEL/SERIES: ISC260	INTERNATIONAL
LTR: 8.3	STERLING
HP: 260	FORD
WHEEL CONFIG: 2X2	HINO



OE NUMBER QUOTED FOR REFERENCE ONLY

1.- OEM # A402FE DP # 07-3-052-150	2.- OEM # K077-100 DP # 07-3-041-155	3.- OEM # 10028-3 DP # 07-3-001-151
4.- OEM # K077-345-1 DP # 07-3-051-150	5.- OEM # K231-460 DP # 07-3-067-000	

NOTE: Some of Dynaflex OEM Replacement Parts are Universally sized to accommodate a wide range of application and may not be an exact replica of your OEM part. But they will not effect fit and function, typically this applies to tail pipes and flex units.

FREIGHTLINER

PETERBILT

KENWORTH

WESTERN STAR

VOLVO

MAK

INTERNATIONAL

STERLING

FORD

HINO

MODEL:
T300
MEDIUM DUTY

CLASS:

7

YEAR:

2004

WHEEL BASE:

0006604 M

ENGINE SERIAL:

KAL41153

ENGINE MAKE:

CAT

MODEL/SERIES:

CAT7

LTR:

7.2

HP:

230@2200RPM

WHEEL CONFIG:

2X2

OEM # M46-1006
DP # 07-7-857-296



OEM # M16-1021
DP # 07-7-071-295



OEM # M16-1021
DP # 07-7-071-295



OEM # K180-1096-36CP
DP # 07-8-702-222



8

8

OEM # 2547255
DP # 07-7-901-290



7

6



OEM # M66-1444CP
DP # 07-7-153-152

4

OEM # K180-1641-16
DP # 07-7-301-151

4

OEM # K180-19878-0800-250
DP # 07-7-152-150

OEM # M66-1410
DP # 07-7-101-150

1

2

OEM # K180-1641-16
DP # 07-7-301-151

4

OEM # K180-1641-16
DP # 07-7-301-151

5

3

3

OEM # M66-1411
DP # 07-7-151-150

OE NUMBER QUOTED FOR REFERENCE ONLY

- | | | | |
|---|--|---|---|
| 1.- OEM # 10028-6
DP # 07-8-015-151 | 2.- OEM # 10028-3
DP # 07-3-001-151 | 3.- OEM # K077-100
DP # 07-3-041-155 | 4.- OEM # K077-345-1
DP # 07-3-051-150 |
| 5.- OEM # M11-1249
DP # 07-7-043-008 | 6.- OEM # A40AFE
DP # 07-3-052-150 | 7.- OEM # M16-1022
DP # 07-7-074-295 | 8.- OEM # FBCL500ZP
DP # 07-8-025-225 |

NOTE: Some of Dynaflex OEM Replacement Parts are Universally sized to accommodate a wide range of application and may not be an exact replica of your OEM part. But they will not effect fit and function, typically this applies to tail pipes and flex units.

MODEL:
W903L2 AERO CAB

CLASS:

8

YEAR:

2005

WHEEL BASE:

7112mm

ENGINE SERIAL:

M4S19269

ENGINE MAKE:

CAT

MODEL/SERIES:

C15

LTR:

15.2L

HP:

475 BHP
248-5546

WHEEL CONFIG:

FREIGHTLINER

PETERBILT

KENWORTH

WESTERN STAR

VOLVO

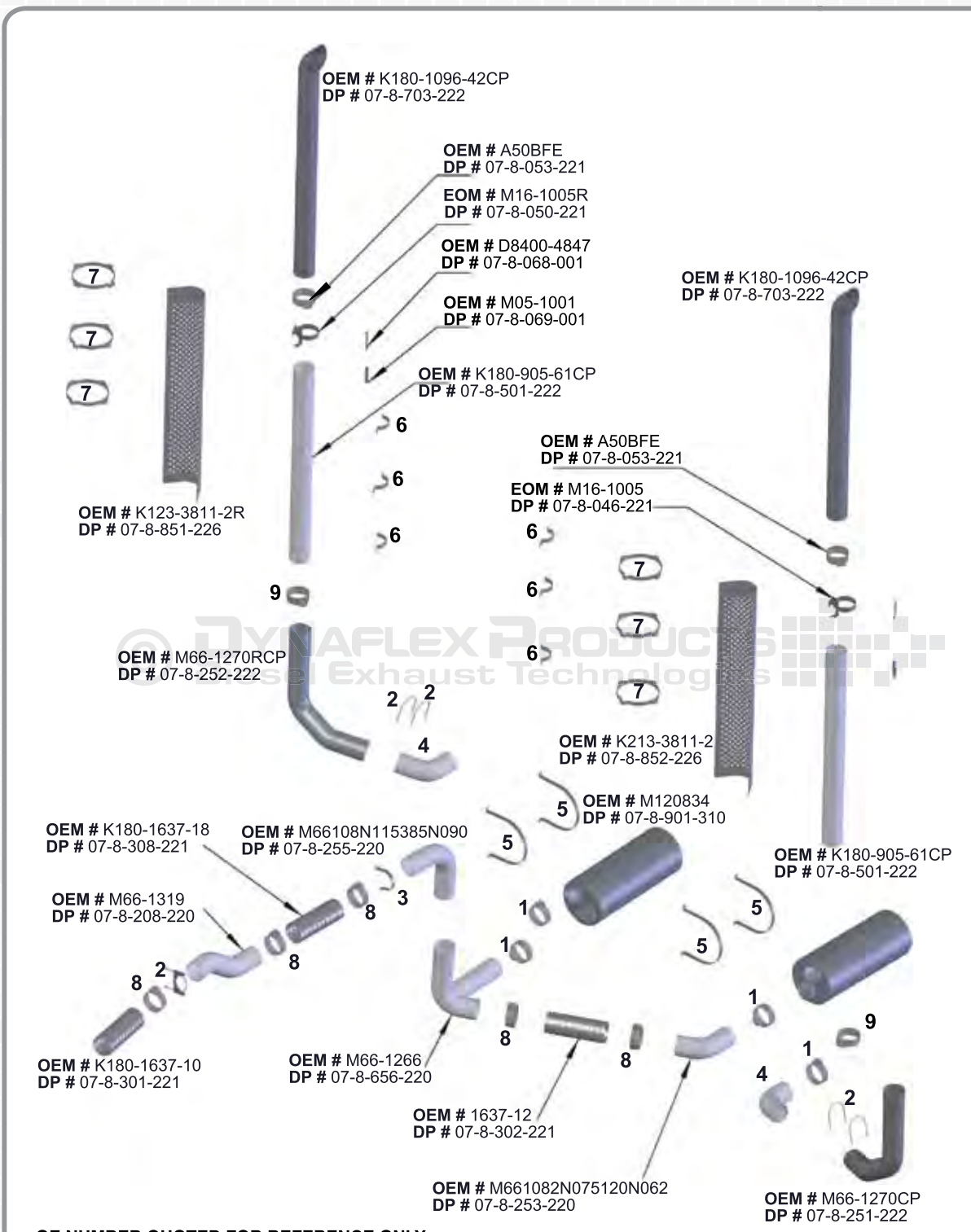
MACK

INTERNATIONAL

STERLING

FORD

HINO



OE NUMBER QUOTED FOR REFERENCE ONLY

- | | | | |
|---|--|---|---|
| 1.- OEM # A50AFE
DP # 07-8-053-220 | 2.- OEM # FBCL500ZN
DP # 07-8-025-225 | 3.- OEM # K077-234
DP # 07-8-061-228 | 4.- OEM # M661082X160225N090
DP # 07-8-254-220 |
| 5.- OEM # M84-1004-3
DP # 07-8-065-291 | 6.- OEM # K054-2956
DP # 07-8-076-221 | 7.- OEM # K007-352
DP # 07-8-073-225 | 8.- OEM # K077-242-1
DP # 07-8-051-220 |
| | | | 9.- OEM # K007-3422
DP # 07-8-051-221 |

NOTE: Some of Dynaflex OEM Replacement Parts are Universally sized to accommodate a wide range of application and may not be an exact replica of your OEM part. But they will not effect fit and function, typically this applies to tail pipes and flex units.

FREIGHTLINER

PETERBILT

KENWORTH

WESTERN STAR

VOLVO

MACK

INTERNATIONAL

STERLING

FORD

HINO

MODEL:
W903L2 AERO CAB

CLASS:

8

YEAR:

2005

WHEEL BASE:

6731mm

ENGINE SERIAL:

MXS56257

ENGINE MAKE:

CAT

MODEL/SERIES:

C15

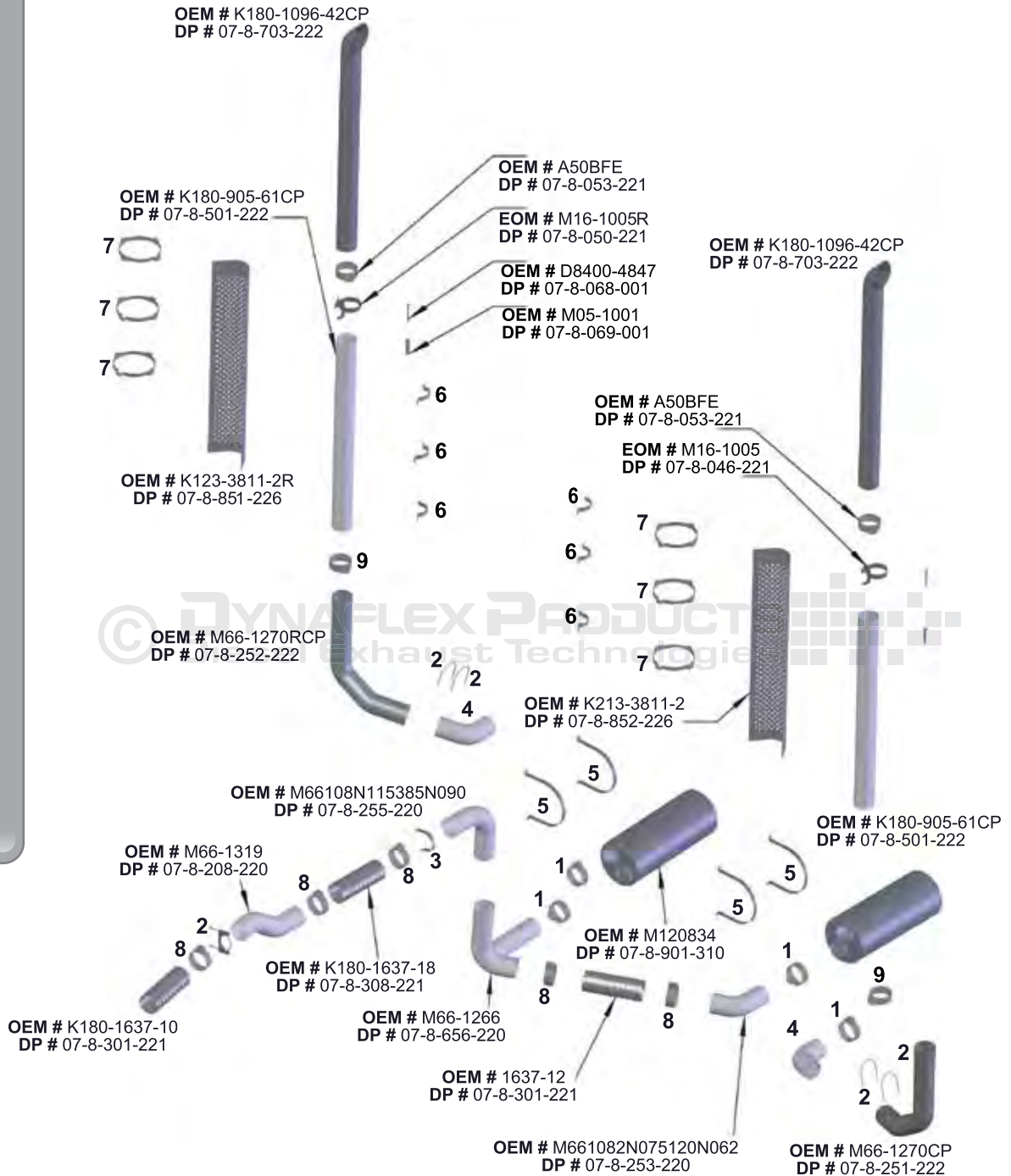
LTR:

15.2L

HP:

475 BHP
248-5540

WHEEL CONFIG:



OE NUMBER QUOTED FOR REFERENCE ONLY

- | | | | | |
|--|---|---|---|--|
| 1.- OEM # A50AFE
DP # 07-8-053-220 | 3.- OEM # K077-234
DP # 07-8-061-228 | 5.- OEM # M84-1004-3
DP # 07-8-065-291 | 7.- OEM # K007-352
DP # 07-8-073-225 | 9.- OEM # K007-3422
DP # 07-8-051-221 |
| 2.- OEM # FBCL500ZN
DP # 07-8-025-225 | 4.- OEM # M661082X160225N090
DP # 07-8-254-220 | 6.- OEM # K054-2956
DP # 07-8-076-221 | 8.- OEM # K077-242-1
DP # 07-8-051-220 | |

NOTE: Some of Dynaflex OEM Replacement Parts are Universally sized to accommodate a wide range of application and may not be an exact replica of your OEM part. But they will not effect fit and function, typically this applies to tail pipes and flex units.

FREIGHTLINER

PETERBILT

KENWORTH

WESTERN STAR

VOLVO

MACK

INTERNATIONAL

STERLING

FORD

HINO

MODEL:
W900L AERO CAB

CLASS:

8

YEAR:

1997

WHEEL BASE:

6604mm

ENGINE SERIAL:

6TS19016

ENGINE MAKE:

CAT

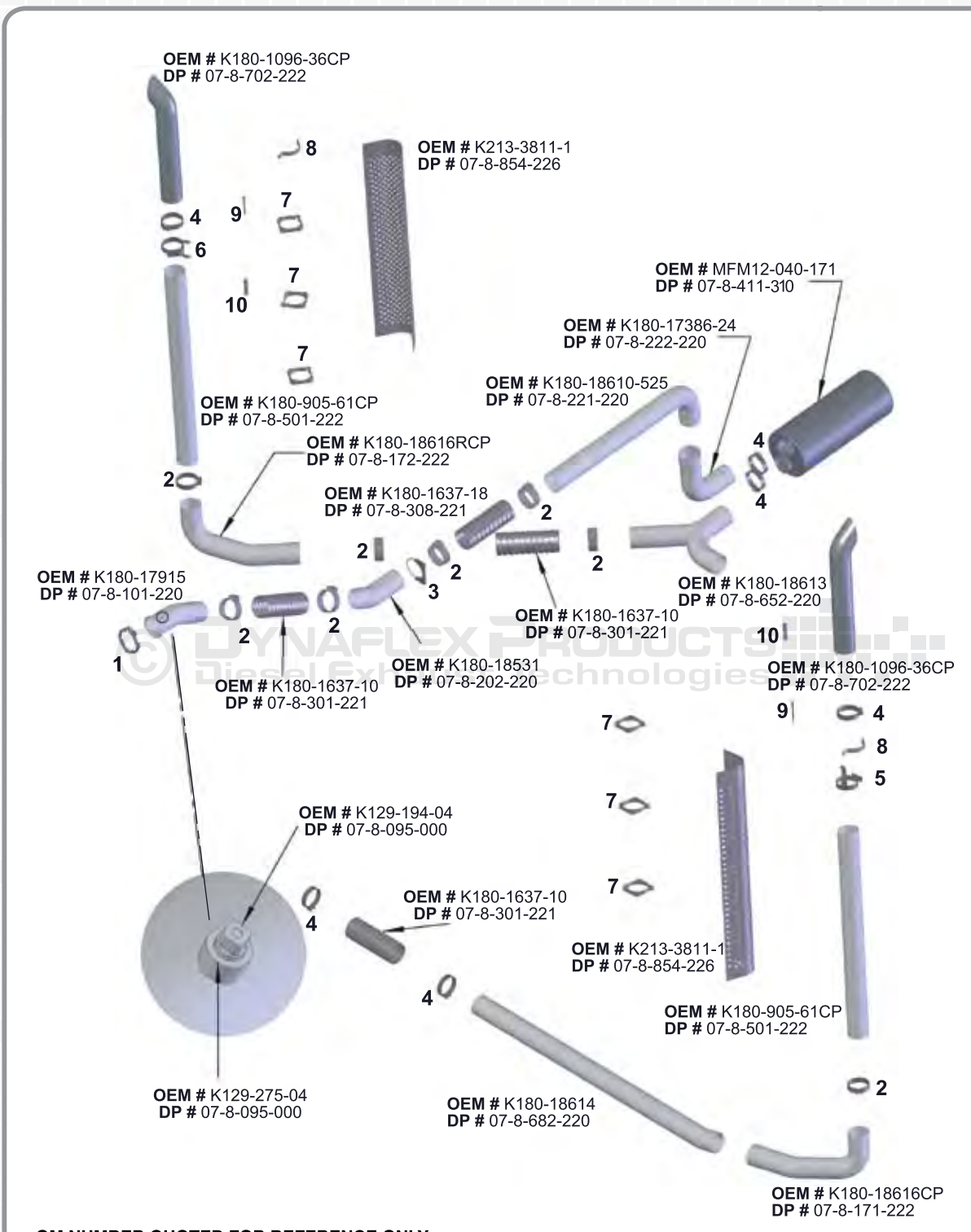
MODEL/SERIES:

3406E

LTR:

HP:
435@
1800RPM

WHEEL CONFIG:



OM NUMBER QUOTED FOR REFERENCE ONLY

- | | | | | |
|--|---|--|---|--|
| 1.- OEM # 1010-1
DP # 07-8-001-221 | 2.- OEM # K077-342-1
DP # 07-8-051-220 | 3.- OEM # FBCL500ZN
DP # 07-8-025-225 | 4.- OEM # A50BFE
DP # 07-8-051-221 | 5.- OEM # M16-1005
DP # 07-8-046-221 |
| 6.- OEM # M16-1005R
DP # 07-8-050-221 | 7.- OEM # K007-352
DP # 07-8-073-225 | 8.- OEM # 054-2956
DP # 07-8-076-221 | 9.- OEM # K041-814-120
DP # 07-8-068-001 | 10.- OEM # M05-1001
DP # 07-8-069-001 |

NOTE: Some of Dynaflex OEM Replacement Parts are Universally sized to accommodate a wide range of application and may not be an exact replica of your OEM part. But they will not effect fit and function, typically this applies to tail pipes and flex units.

FREIGHTLINER

PETERBILT

KENWORTH

WESTERN STAR

VOLVO

MACK

INTERNATIONAL

STERLING

FORD

HINO

T800
EXTENDED DAY CAB

CLASS:

8

YEAR:

2006/07

WHEEL BASE:

0005080mm/
cut of 1524m

ENGINE SERIAL:

79197217

ENGINE MAKE:

CUMMINS

MODEL/SERIES:

ISX 565

LTR:

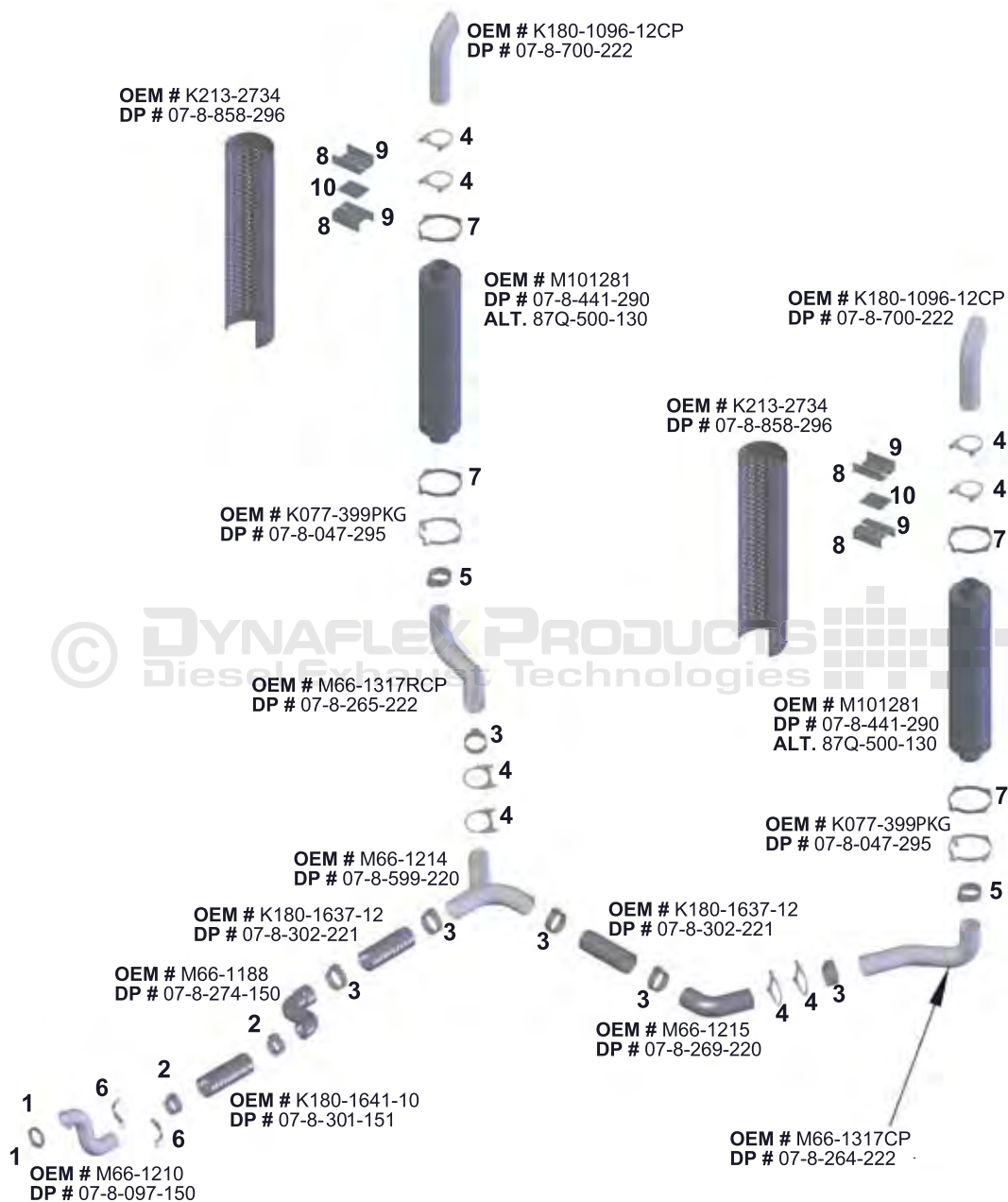
15L

HP:

565

WHEEL CONFIG:

4X2



OE NUMBER QUOTED FOR REFERENCE ONLY

- | | | | | |
|--|--|---|--|--|
| 1.) OEM # 10028-6
DP # 02-8-015-151 | 2.) OEM # K077-345-1
DP # 07-3-051-150 | 3.) OEM # K077-342-1
DP # 07-8-051-220 | 4.) FBCL500ZN
DP # 07-8-025-225 | 5.) OEM # A50BFE
DP # 07-8-053-221 |
| 6.) OEM # K00-100
DP # 07-3-041-155 | 7.) OEM # K077-305PKG
DP # 07-8-071-295 | 8.) OEM # K054-2150
DP # 07-8-064-008 | 9.) OEM # K054-2079
DP # 07-8-068-008 | 10.) OEM # M80-1006
DP # 07-8-067-000 |

NOTE: Some of Dynaflex OEM Replacement Parts are Universally sized to accommodate a wide range of application and may not be an exact replica of your OEM part. But they will not effect fit and function, typically this applies to tail pipes and flex units.

MODEL:	T603 AERO CAB
CLASS:	8
YEAR:	2002
WHEEL BASE:	5892 mm 231.96"
ENGINE SERIAL:	6NZ64066
ENGINE MAKE:	CAT
MODEL/SERIES:	C15
LTR:	15.2L
HP:	160-5340
WHEEL CONFIG:	

FREIGHTLINER

PETERBILT

KENWORTH

WESTERN STAR

VOLVO

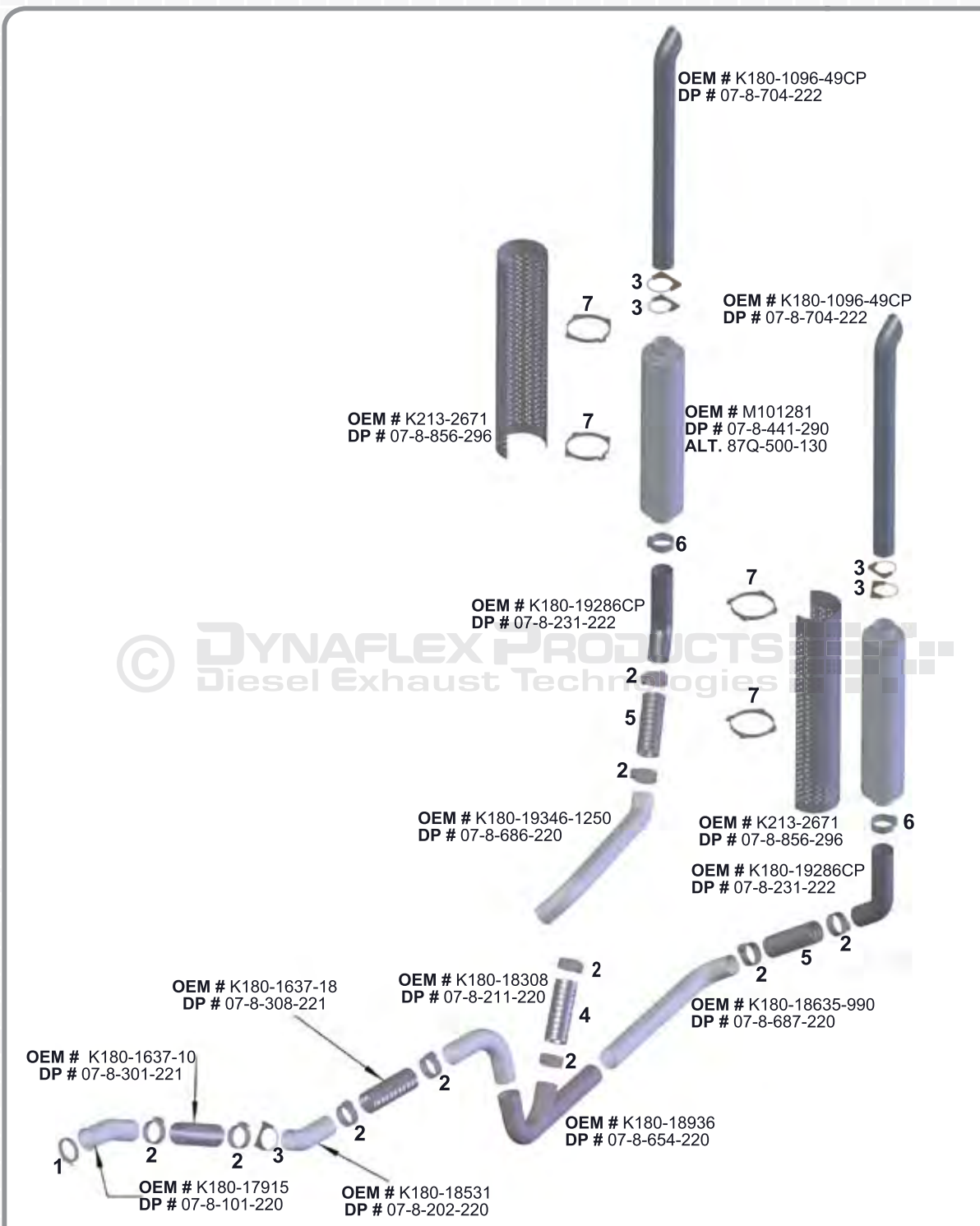
MACK

INTERNATIONAL

STERLING

FORD

HINO



© DYNAFLEX PRODUCTS Diesel Exhaust Technologies

OE NUMBER QUOTED FOR REFERENCE ONLY

- | | | | |
|---|---|--|---|
| 1.- OEM # 1010-1
DP # 07-8-001-221 | 2.- OEM # K077-342-1
DP # 07-8-051-220 | 3.- OEM # FBCL500ZN
DP # 07-8-025-225 | 4.- OEM # K180-1637-16
DP # 07-8-306-221 |
| 5.- OEM # K180-1637-12
DP # 07-8-302-221 | 6.- OEM # A50AFE
DP # 07-8-053-220 | 7.- OEM # K077-301PKG
DP # 07-8-062-295 | |

NOTE: Some of Dynaflex OEM Replacement Parts are Universally sized to accommodate a wide range of application and may not be an exact replica of your OEM part. But they will not effect fit and function, typically this applies to tail pipes and flex units.

FREIGHTLINER

PETERBILT

KENWORTH

WESTERN STAR

VOLVO

MACK

INTERNATIONAL

STERLING

FORD

HINO

MODEL:
T2000

CLASS:

8

YEAR:

1999

WHEEL BASE:

5765mm

ENGINE SERIAL:

2WS11024

ENGINE MAKE:

CAT

MODEL/SERIES:

3406E

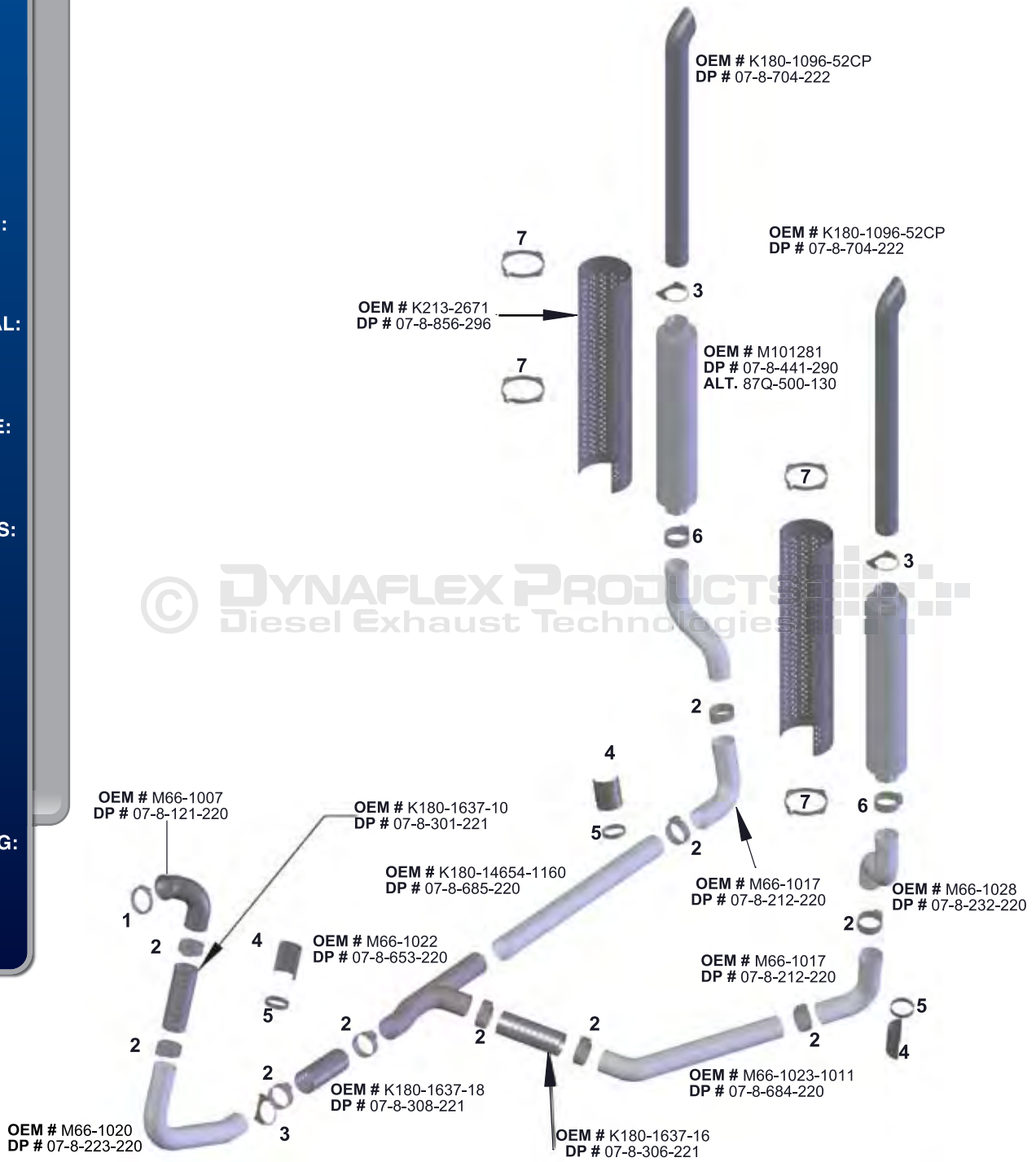
LTR:

16.6L
(891 CU IN.)

HP:

475 BHP
160-5725

WHEEL CONFIG:



OE NUMBER QUOTED FOR REFERENCE ONLY

- | | | | |
|---|--|---|--|
| 1.- OEM # 1010-1
DP # 07-8-001-221 | 3.- OEM # FBCL500ZN
DP # 07-8-025-225 | 5.- OEM # K077-293-550
DP # 07-8-090-221 | 7.- OEM # K077-301PKG
DP # 07-8-062-295 |
| 2.- OEM # K077-342-1
DP # 07-8-051-220 | 4.- OEM # K213-541
DP # 07-8-085-221 | 6.- OEM # A50AFE
DP # 07-8-053-220 | 8.- OEM # FBCL-500ZN
DP # 07-8-025-225 |

NOTE: Some of Dynaflex OEM Replacement Parts are Universally sized to accommodate a wide range of application and may not be an exact replica of your OEM part. But they will not effect fit and function, typically this applies to tail pipes and flex units.

FREIGHTLINER

PETERBILT

KENWORTH

WESTERN STAR

VOLVO

MACK

INTERNATIONAL

STERLING

FORD

HINO

MODEL:
W900L AERO CAB

CLASS:

8

YEAR:

2007

WHEEL BASE:

0007289mm
0001473mm

ENGINE SERIAL:

79245507

ENGINE MAKE:

CUMMINS

MODEL/SERIES:

ISX600

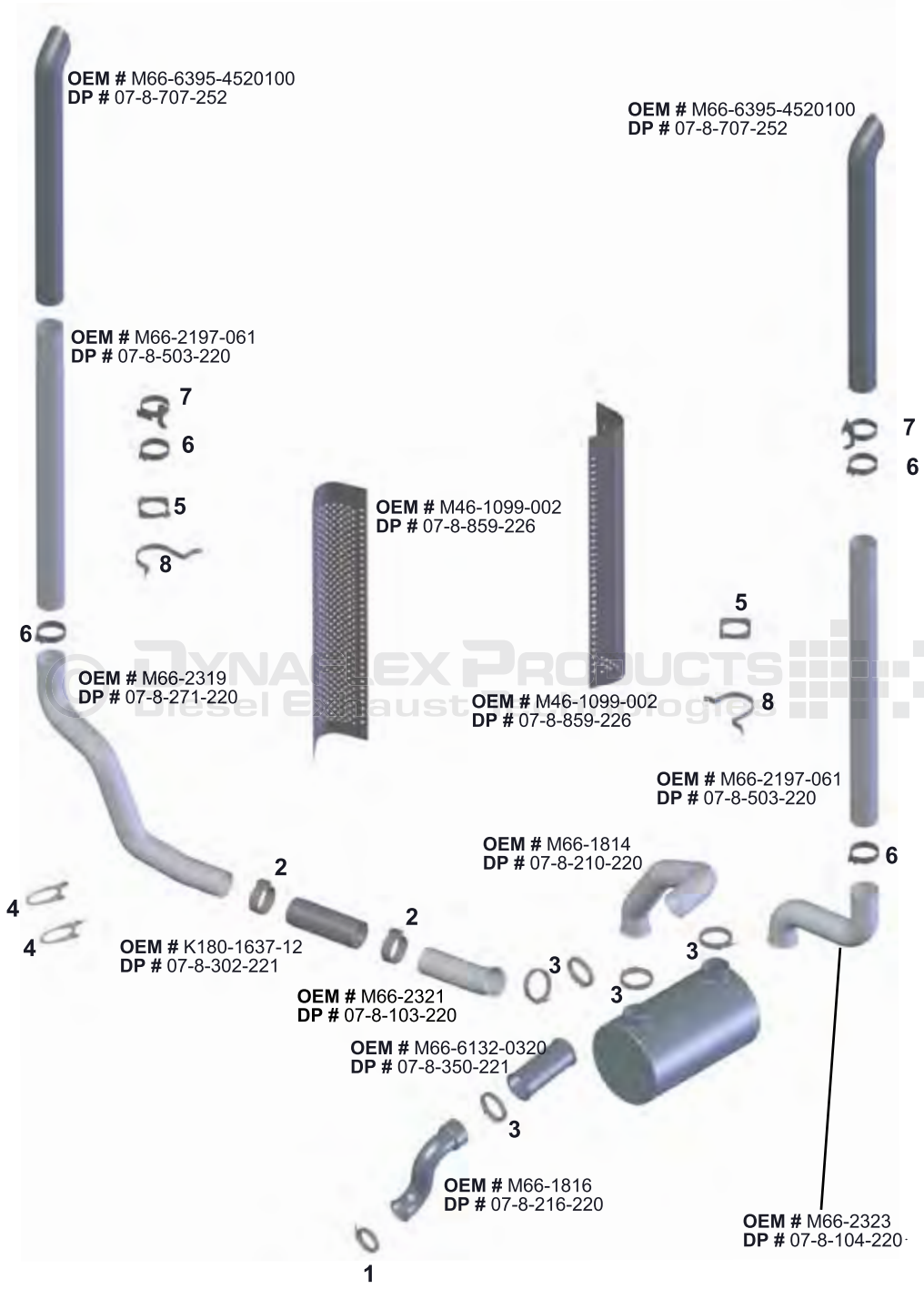
LTR:

HP:

600

WHEEL CONFIG:

4X2



OE NUMBER QUOTED FOR REFERENCE ONLY

1.- OEM # VQ10475A01 DP # 07-8-004-151	2.- OEM # K077-342-1 DP # 07-8-051-220	3.- OEM # VQ10588A01 DP # 07-8-003-221	4.- OEM # FBCL500ZN DP # 07-8-025-225
5.- OEM # K077-352 DP # 07-8-073-225	6.- OEM # A50BFE DP # 07-8-053-221	7.- OEM # M16-1033-001 DP # 07-8-016-221	8.- OEM # K054-2956 DP # 07-8-076-221

NOTE: Some of Dynaflex OEM Replacement Parts are Universally sized to accommodate a wide range of application and may not be an exact replica of your OEM part. But they will not effect fit and function, typically this applies to tail pipes and flex units.

FREIGHTLINER

PETERBILT

KENWORTH

WESTERN STAR

VOLVO

MACK

INTERNATIONAL

STERLING

FORD

HINO

MODEL:
T603 AERO CAB

CLASS:

8

YEAR:

2004

WHEEL BASE:

5892mm

231-46"

ENGINE SERIAL:

KCB23186

ENGINE MAKE:

CAT

MODEL/SERIES:

C13

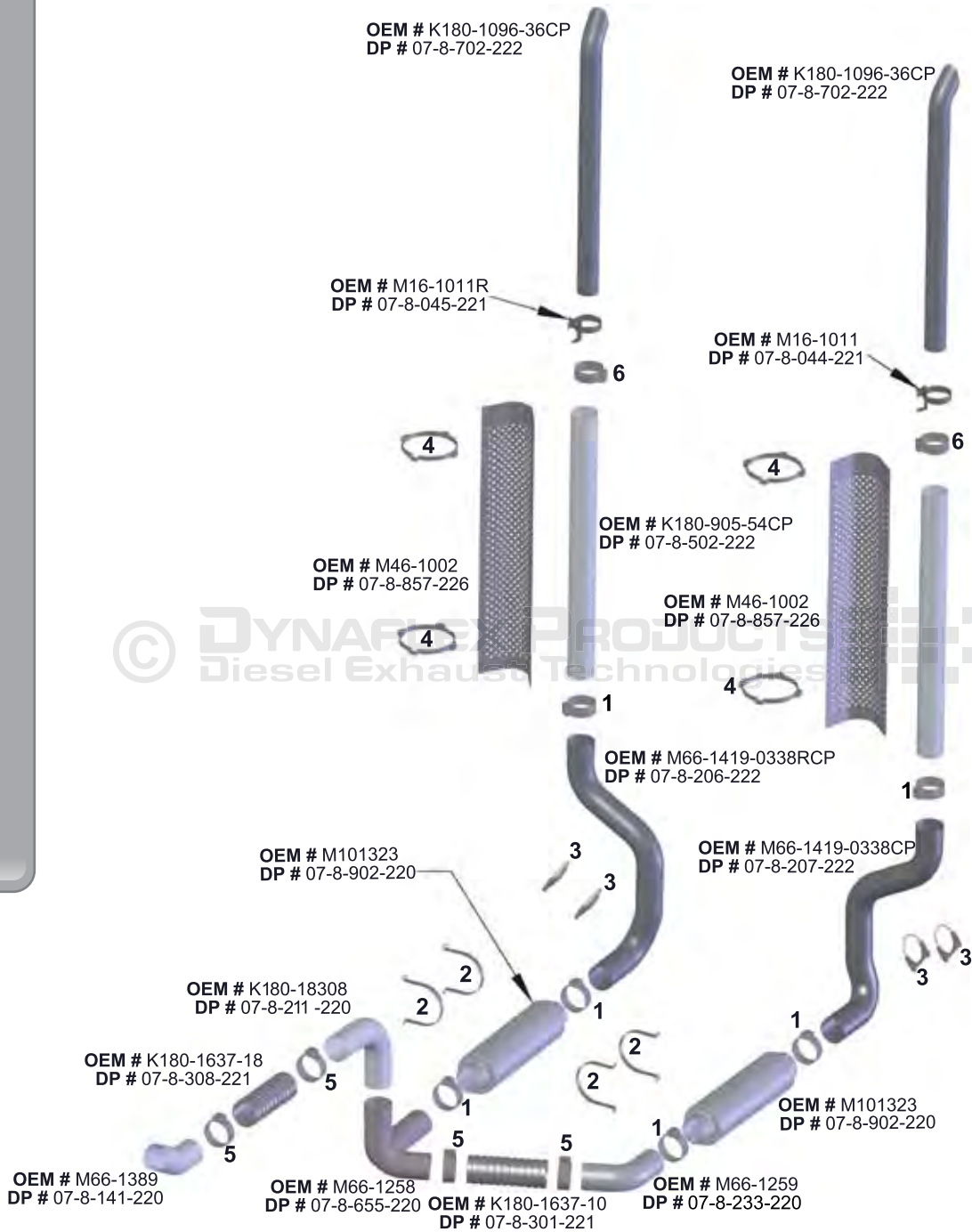
LTR:

12.5L

HP:

430-BHP
223-3864

WHEEL CONFIG:



OE NUMBER QUOTED FOR REFERENCE ONLY

- | | | |
|--|---|--|
| 1.- OEM # A50AFE
DP # 07-8-053-220 | 2.- OEM # M84-1004-1
DP # 07-8-063-225 | 3.- OEM # FBCL500ZN
DP # 07-8-025-225 |
| 4.- OEM # K077-349PKG
DP # 07-8-072-225 | 5.- OEM # K077-342-1
DP # 07-8-051-220 | 6.- OEM # A50BFE
DP # 07-8-053-221 |

NOTE: Some of Dynaflex OEM Replacement Parts are Universally sized to accommodate a wide range of application and may not be an exact replica of your OEM part. But they will not effect fit and function, typically this applies to tail pipes and flex units.

MODEL:
T603 AERO CAB
SINGLE EXHAUST

CLASS:

8

YEAR:

1999

WHEEL BASE:

0005689mm
0001422mm

ENGINE SERIAL:

6R051437

ENGINE MAKE:

DDE

MODEL/SERIES:

60

LTR:

14.0L

HP:

470

WHEEL CONFIG:

4X2

FREIGHTLINER

PETERBILT

KENWORTH

WESTERN STAR

VOLVO

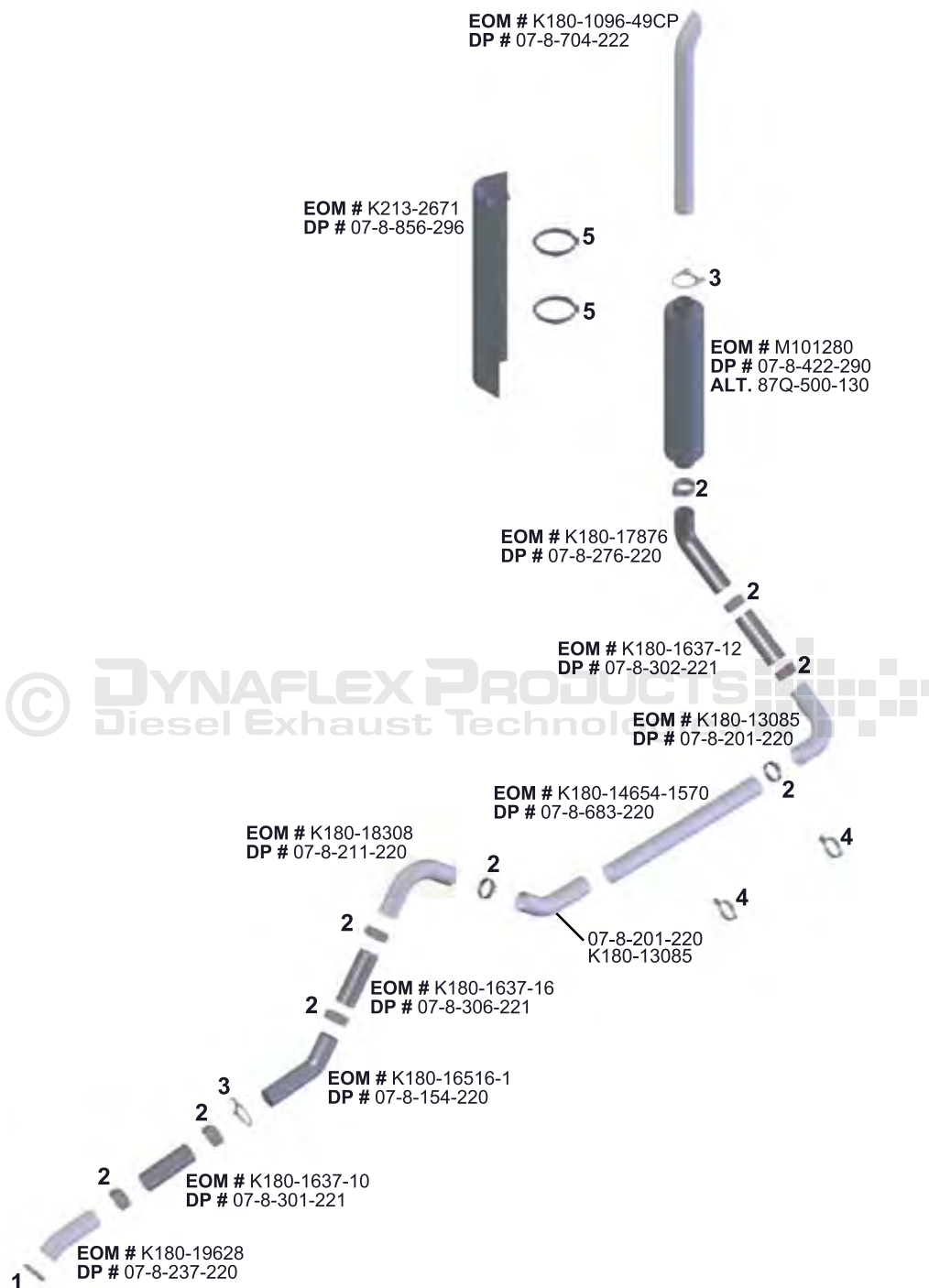
MACK

INTERNATIONAL

STERLING

FORD

HINO



OE NUMBER QUOTED FOR REFERENCE ONLY

1.- OEM # 1010-1
DP # 07-8-001-221

2.- OEM # K077-342-1
DP # 07-8-051-220

3.- OEM # FBCL500ZN
DP # 07-8-025-225

4.- OEM # K077-234
DP # 07-8-061-228

5.- OEM # K077-301PKG
DP # 07-8-062-295

NOTE: Some of Dynaflex OEM Replacement Parts are Universally sized to accommodate a wide range of application and may not be an exact replica of your OEM part. But they will not effect fit and function, typically this applies to tail pipes and flex units.

FREIGHTLINER

PETERBILT

KENWORTH

WESTERN STAR

VOLVO

MACK

INTERNATIONAL

STERLING

FORD

HINO

MODEL:
T800 EXTENDED DAY CAB

CLASS:

8

YEAR:

2006/07 Engine

WHEEL BASE:

0005080mm

ENGINE SERIAL:

0017-439-A01

ENGINE MAKE:

CAT

MODEL/SERIES:

C15 Acert

LTR:

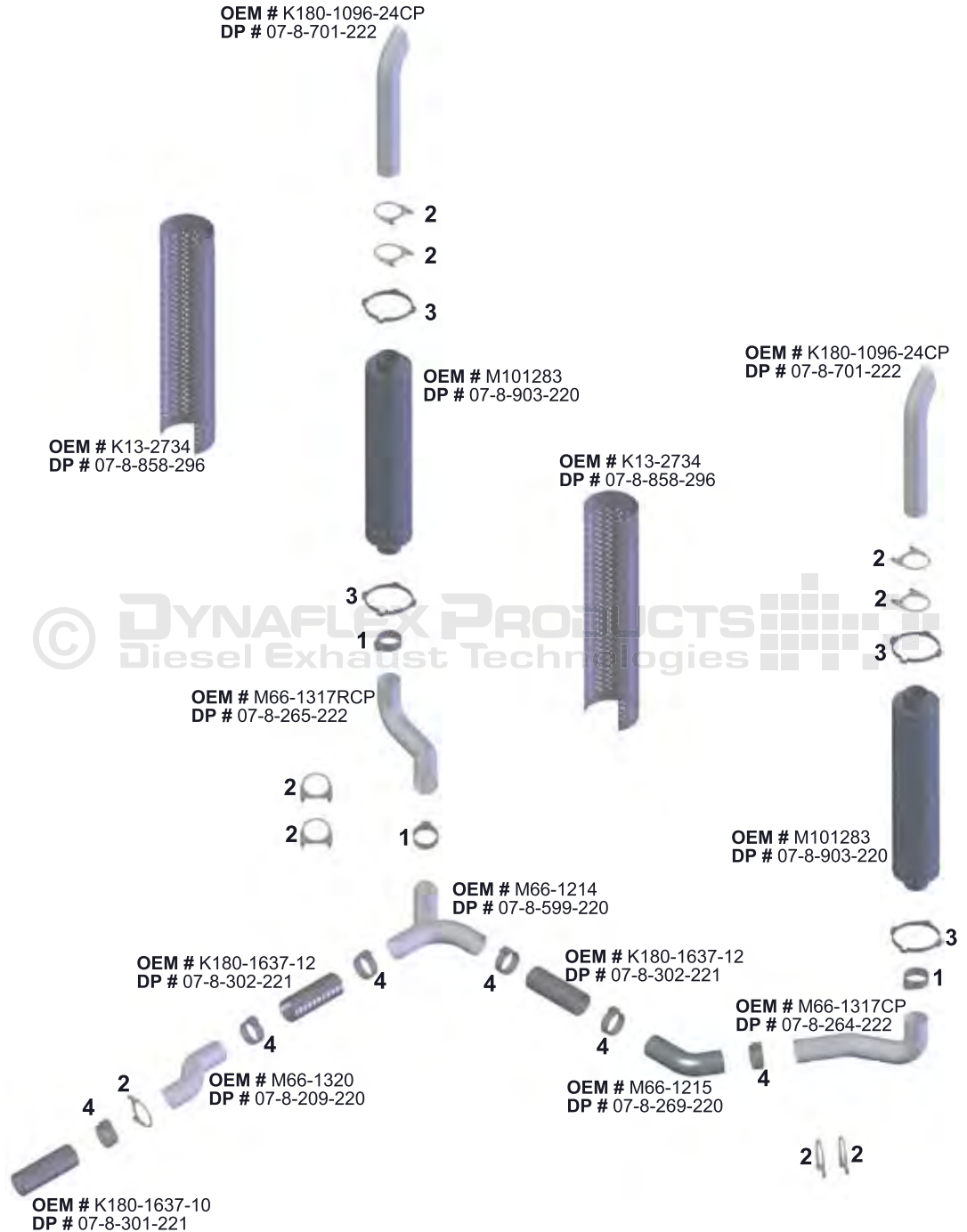
15.2

HP:

475@2100RM

WHEEL CONFIG:

4X2



OE NUMBER QUOTED FOR REFERENCE ONLY

1.) OEM # A50BFE
DP # 07-8-053-221

2.) OEM # FBCL500ZN
DP # 07-8-025-225

3.) OEM # K077-305-PKG
DP # 07-8-071-295

4.) OEM # K077-342-1
DP # 07-8-051-220

NOTE: Some of Dynaflex OEM Replacement Parts are Universally sized to accommodate a wide range of application and may not be an exact replica of your OEM part. But they will not effect fit and function, typically this applies to tail pipes and flex units.

FREIGHTLINER

PETERBILT

KENWORTH

WESTERN STAR

VOLVO

MAK

INTERNATIONAL

STERLING

FORD

HINO

MODEL:
T800 2H AIR RIDE CAB

CLASS:
8

YEAR:
2007

WHEEL BASE:
-

ENGINE SERIAL:
MXS97700

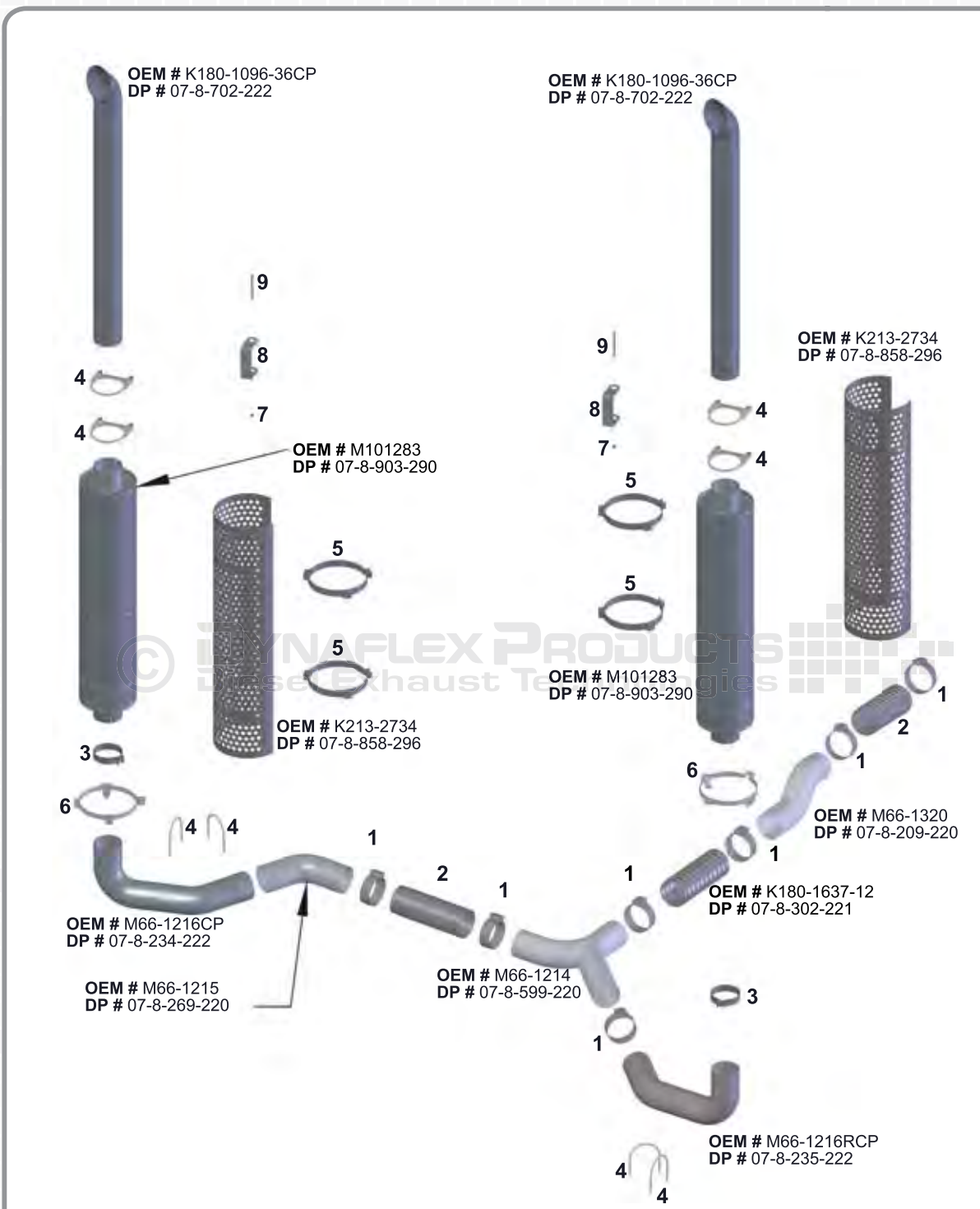
ENGINE MAKE:
CAT

MODEL/SERIES:
C15

LTR:
15.2

HP:
435-625@2100RPM

WHEEL CONFIG:
6X2



OE NUMBER QUOTED FOR REFERENCE ONLY

- | | | | | |
|---|--|--|---|---|
| 1.- OEM # K077-342-1
DP # 07-8-051-220 | 2.-OEM # K180-1637-10
DP # 07-8-301-221 | 3.-OEM # A50BFE
DP # 07-8-053-221 | 4.-OEM # FBCL500ZN
DP # 07-8-025-225 | 5.-OEM # K077-305 PKG
DP # 07-8-071- 295 |
| 6.-OEM # K077-399PKG
DP # 07-8-047-295 | 7.-OEM # D8-400-4924
DP # 07-8-048-001 | 8.-OEM # M11-1208
DP # 07-8-040-001 | 9.-OEM # D8-400-9217
DP # 07-8-043-001 | |

NOTE: Some of Dynaflex OEM Replacement Parts are Universally sized to accommodate a wide range of application and may not be an exact replica of your OEM part. But they will not effect fit and function, typically this applies to tail pipes and flex units.

FREIGHTLINER

PETERBILT

KENWORTH

WESTERN STAR

VOLVO

MACK

INTERNATIONAL

STERLING

FORD

HINO

MODEL:
T800
SINGLE EXTENDED

CLASS:

8

YEAR:

2001

WHEEL BASE:

5892 MM

ENGINE SERIAL:

6N252403

ENGINE MAKE:

CAT

MODEL/SERIES:

C15 Acert

LTR:

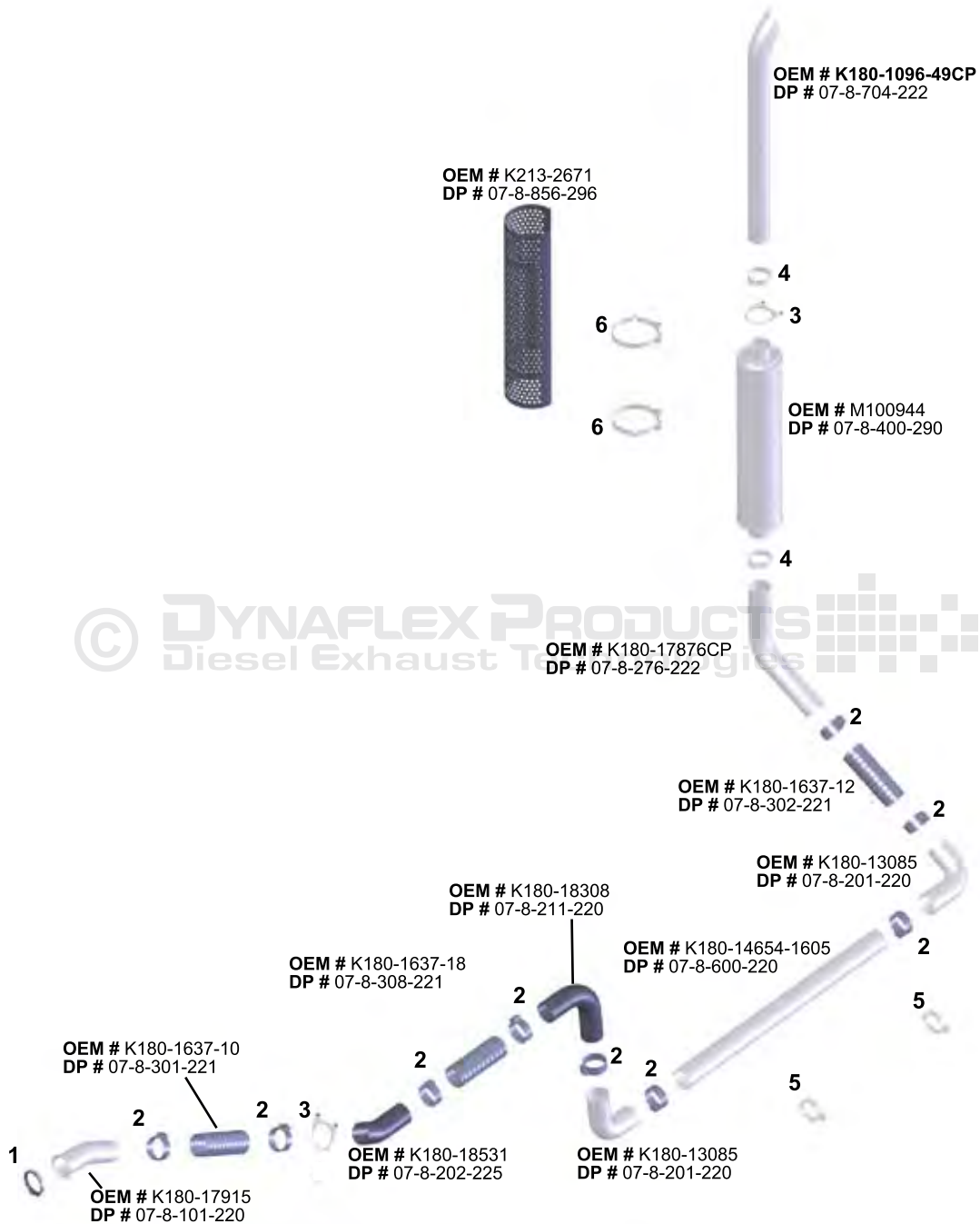
15.2

HP:

475

WHEEL CONFIG:

4X2



OE NUMBER QUOTED FOR REFERENCE ONLY

- | | | | |
|---|---|---|---------------------------------------|
| 1.- OEM # 1010-1
DP # 02-8-001-221 | 2.- OEM # K077-342-1
DP # 07-8-051-220 | 3.- OEM # FBCL50ZN
DP # 07-8-025-225 | 4.- OEM # A50AFE
DP # 07-8-053-220 |
| 5.- OEM # K077-234
DP # 07-8-061-228 | 6.- OEM # K077-301PKG
DP # 07-8-062-295PKG | | |

NOTE: Some of Dynaflex OEM Replacement Parts are Universally sized to accommodate a wide range of application and may not be an exact replica of your OEM part. But they will not effect fit and function, typically this applies to tail pipes and flex units.

FREIGHTLINER

PETERBILT

KENWORTH

WESTERN STAR

VOLVO

MACK

INTERNATIONAL

STERLING

FORD

HINO

MODEL:
T600 SINGLE EXHAUST

CLASS:

8

YEAR:

2003

WHEEL BASE:

223.97"

ENGINE SERIAL:

MBN10227

ENGINE MAKE:

CAT

MODEL/SERIES:

C15

LTR:

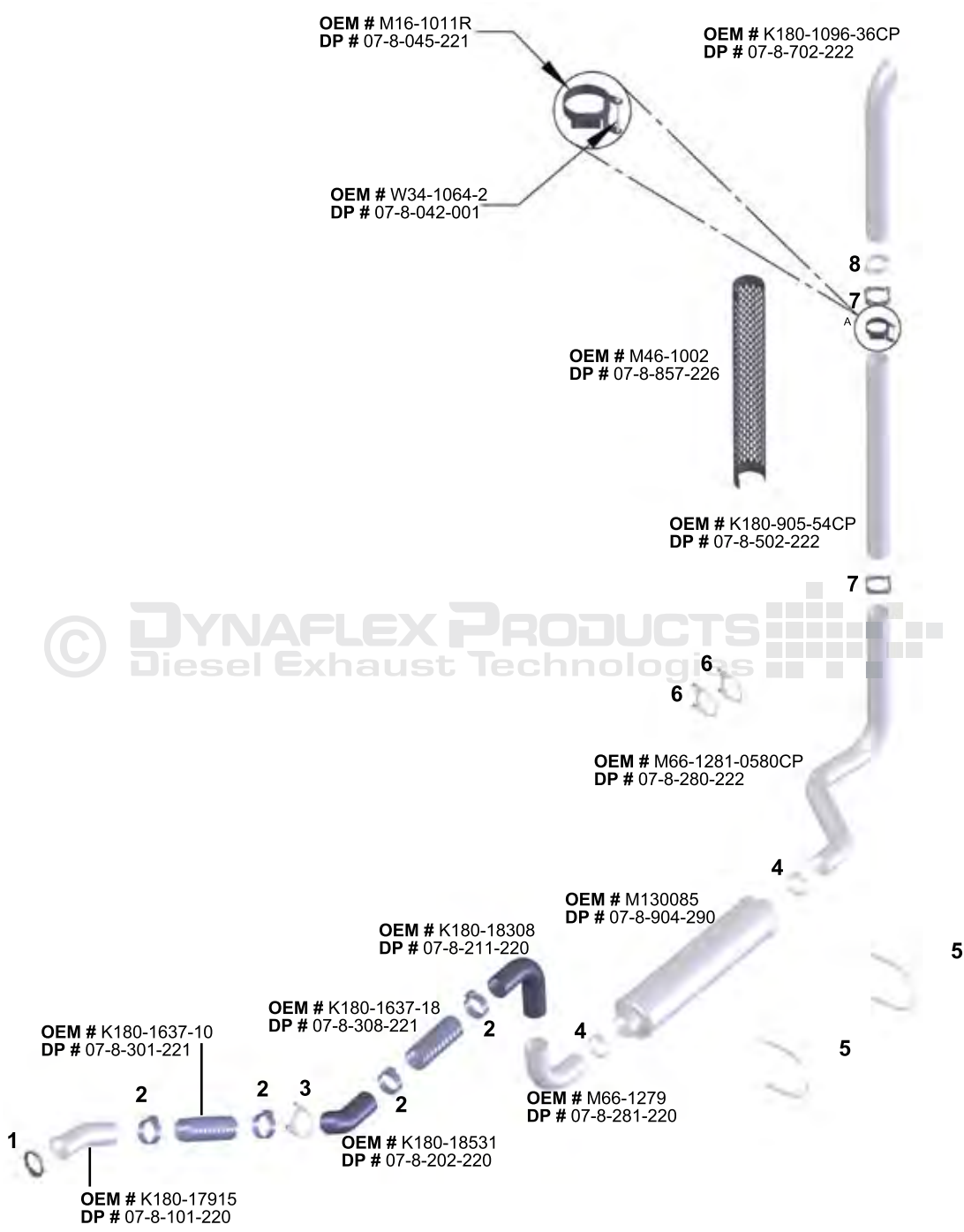
15.2L

HP:

435

WHEEL CONFIG:

-



© DYNAFLEX PRODUCTS Diesel Exhaust Technologies

OE NUMBER QUOTED FOR REFERENCE ONLY

- | | | | |
|--|---|--|---------------------------------------|
| 1.- OEM # 1010-1
DP # 07-8-001-221 | 2.- OEM # K077-342-1
DP # 07-8-051-220 | 3.- OEM # FBCL-500ZN
DP # 07-8-025-225 | 4.- OEM # A50AFE
DP # 07-8-053-220 |
| 5.- OEM # M84-1004-14
DP # 07-8-066-291 | 6.- OEM # FBCL500ZN
DP # 07-8-025-225 | 7.- OEM # K077-349PKG
DP # 07-8-072-225 | 8.- OEM # A50BFE
DP # 07-8-053-221 |

NOTE: Some of Dynaflex OEM Replacement Parts are Universally sized to accommodate a wide range of application and may not be an exact replica of your OEM part. But they will not effect fit and function, typically this applies to tail pipes and flex units.

FREIGHTLINER

PETERBILT

KENWORTH

WESTERN STAR

VOLVO

MACK

INTERNATIONAL

STERLING

FORD

HINO

MODEL
W900B

CLASS:

8

YEAR:

1995

WHEEL BASE:

0006731mm
0001524mm

ENGINE SERIAL:

5EK58544

ENGINE MAKE:

CAT

MODEL/SERIES:

3406E

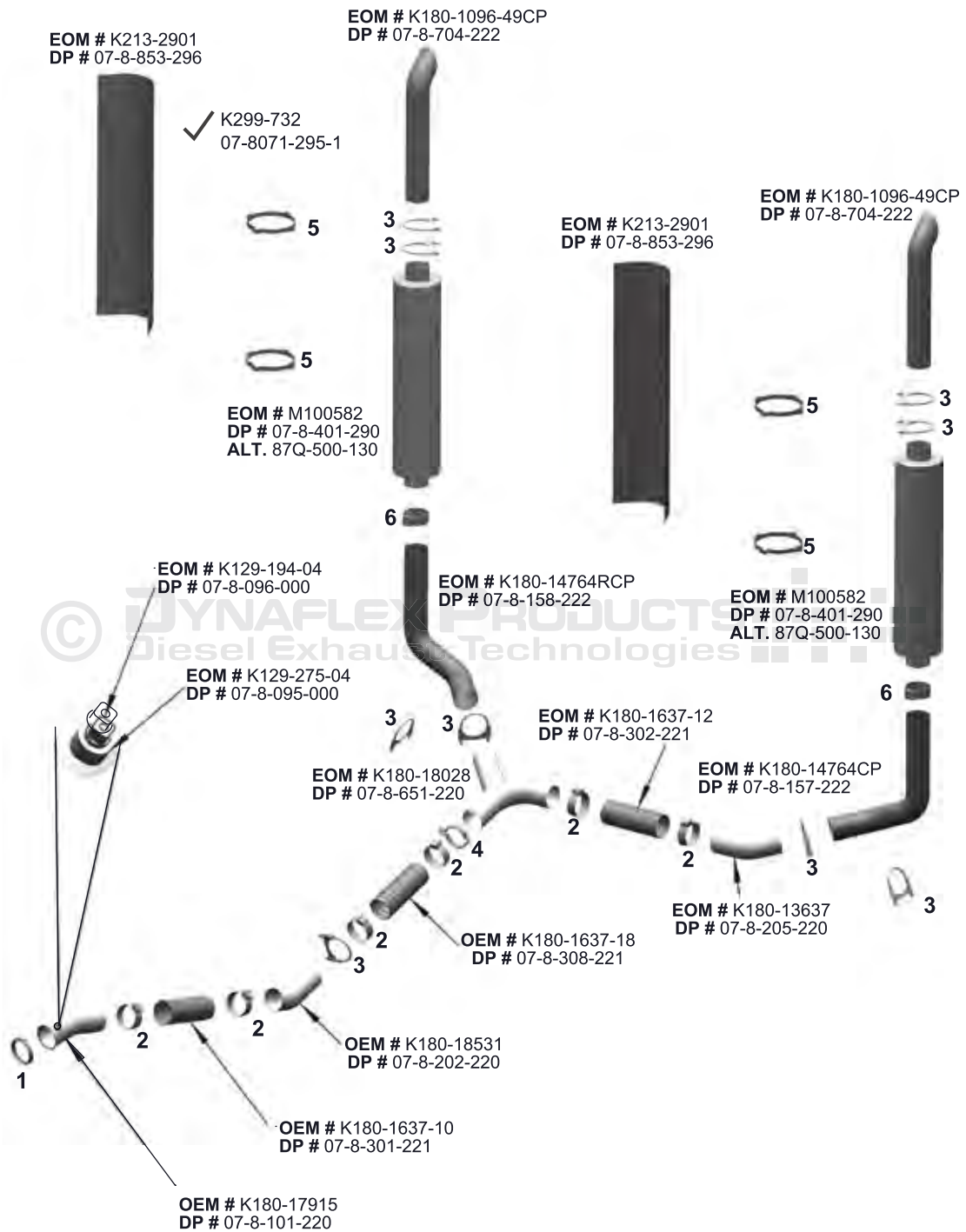
LTR:

16.6

HP:

16.6

WHEEL CONFIG:



OE NUMBER QUOTED FOR REFERENCE ONLY

- | | | |
|---|--|---|
| 1.- OEM # 1010-1
DP # 07-8-001-221 | 2.- OEM # K077-342-1
DP # 07-8-051-220 | 3.- OEM # FBCL500ZN
DP # 07-8-025-225 |
| 4.- OEM # K077-234
DP # 07-8-061-228 | 5.- OEM # K077-305PKG
DP # 07-8-071-295 | 6.- OEM # K077-342-2
DP # 07-8-051-221 |

NOTE: Some of Dynaflex OEM Replacement Parts are Universally sized to accommodate a wide range of application and may not be an exact replica of your OEM part. But they will not effect fit and function, typically this applies to tail pipes and flex units.

MODEL:
T800 EXTENDED DAY CAB

CLASS:

8

YEAR:

2007

WHEEL BASE:

00050080mm
1524m

ENGINE SERIAL:

79197541

ENGINE MAKE:

CUMMINS

MODEL/SERIES:

ISX 565

LTR:

15L

HP:

565

WHEEL CONFIG:

4X2

FREIGHTLINER

PETERBILT

KENWORTH

WESTERN STAR

VOLVO

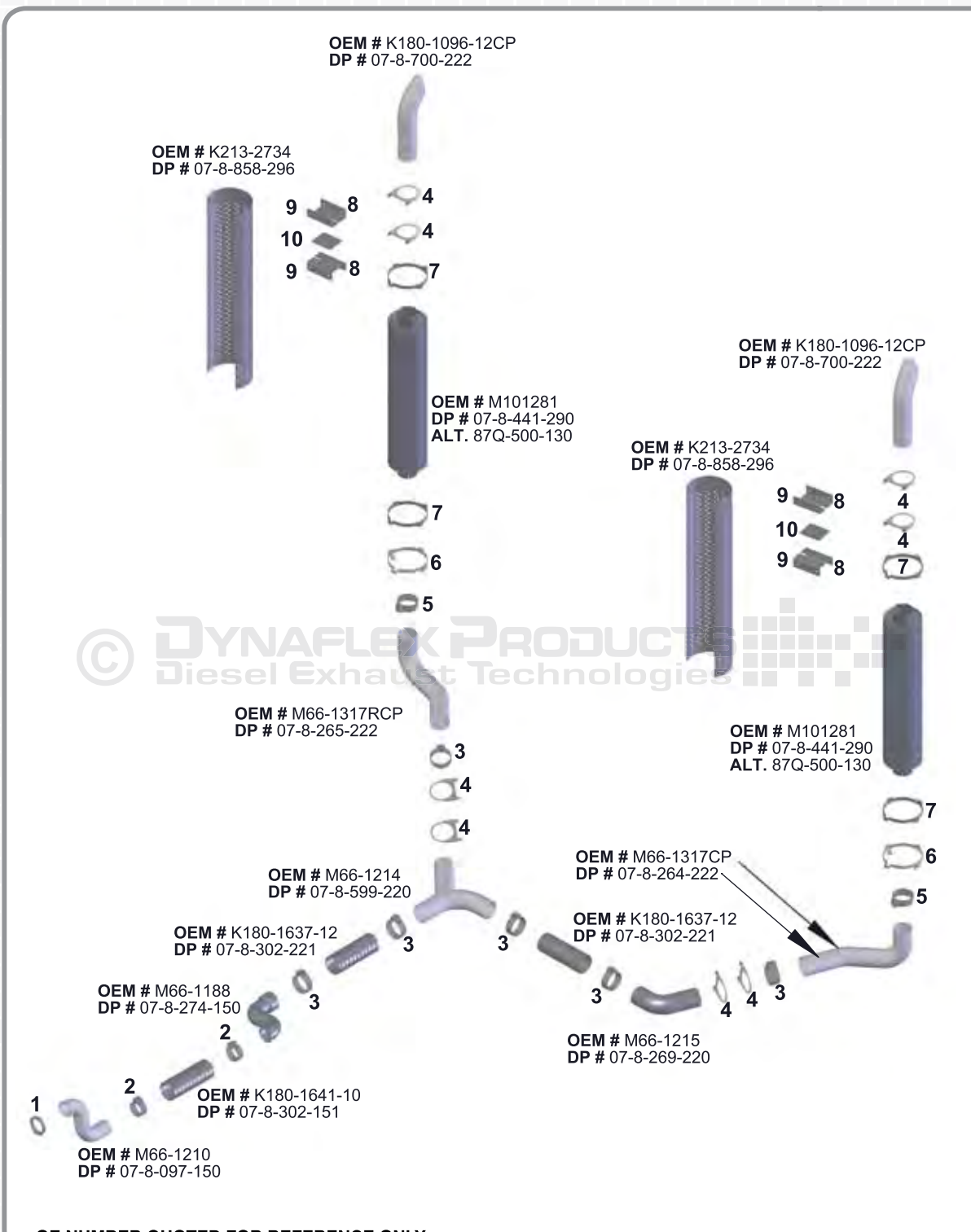
MACK

INTERNATIONAL

STERLING

FORD

HINO



OE NUMBER QUOTED FOR REFERENCE ONLY

- | | | | | |
|--|--|---|--|--|
| 1.) OEM # 10028-6
DP # 02-8-015-151 | 2.) OEM # K077-345-1
DP # 07-3-051-150 | 3.) OEM # K077-342-1
DP # 07-8-051-220 | 4.) OEM # FBCL500ZN
DP # 07-8-025-225 | 5.) OEM # A50BFE
DP # 07-8-053-221 |
| 6.) OEM # K077-399PKG
DP # 07-8-047-295 | 7.) OEM # K077-305PKG
DP # 07-8-071-295 | 8.) OEM # K054-2150
DP # 07-8-064-008 | 9.) OEM # K054-2079
DP # 07-8-068-008 | 10.) OEM # M80-1006
DP # 07-8-067-000 |

NOTE: Some of Dynaflex OEM Replacement Parts are Universally sized to accommodate a wide range of application and may not be an exact replica of your OEM part. But they will not effect fit and function, typically this applies to tail pipes and flex units.

FREIGHTLINER

PETERBILT

KENWORTH

WESTERN STAR

VOLVO

MACK

INTERNATIONAL

STERLING

FORD

HINO

MODEL:
W900L DUAL
EXHAUST 60 ENGINE

CLASS:

8

YEAR:

2007

WHEEL BASE:

0006197 MM

ENGINE SERIAL:

NXS17541

ENGINE MAKE:

CAT

MODEL/SERIES:

C15

LTR:

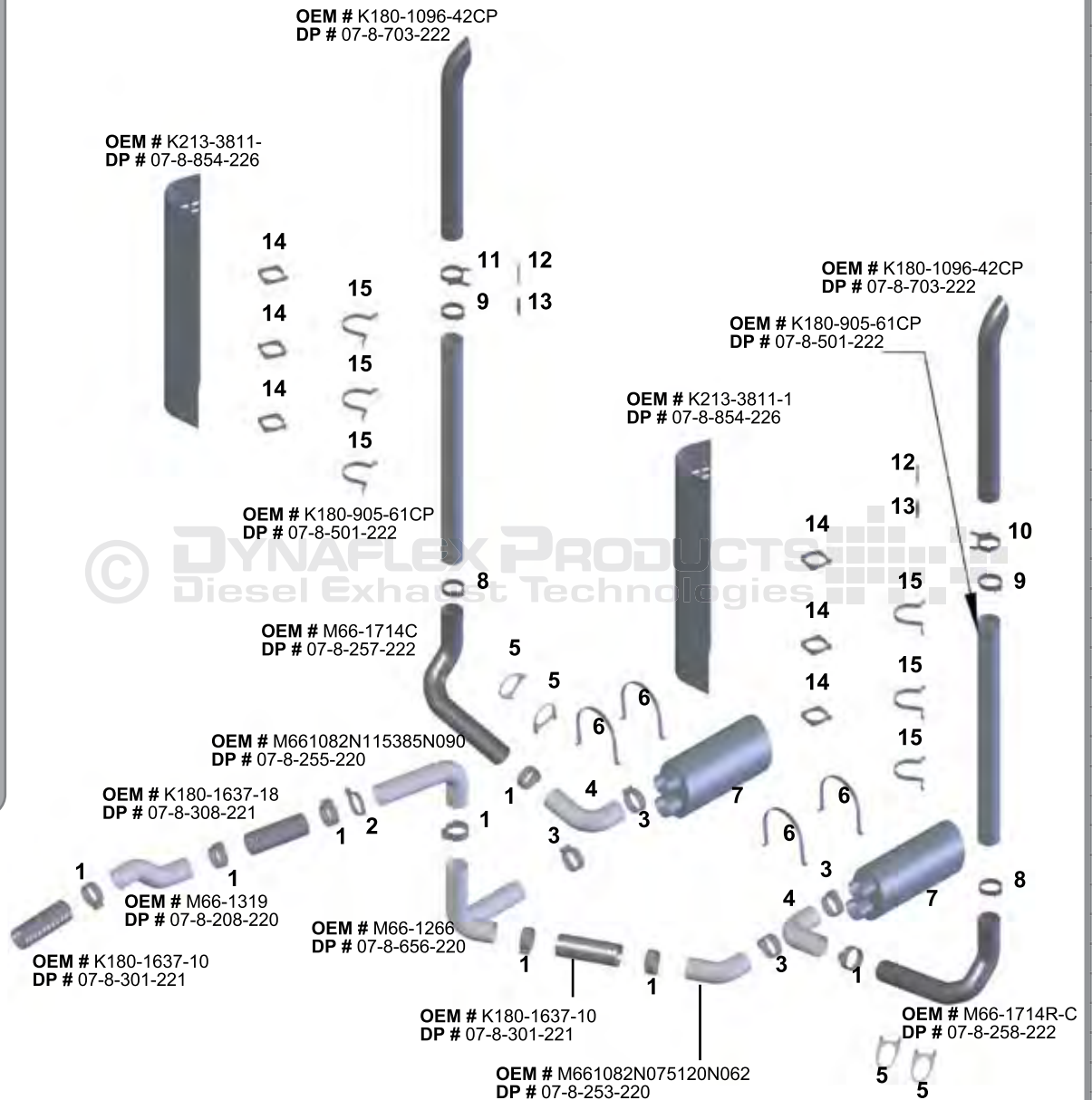
15.2

HP:

550

WHEEL CONFIG:

4X2



OE NUMBER QUOTED FOR REFERENCE ONLY

- | | | | | |
|---|--|---|---|---|
| 1.- OEM # K077-342-1
DP # 07-8-051-220 | 2.- OEM # K077-234
DP # 07-8-061-228 | 3.- OEM # A50AFE
DP # 07-8-053-220 | 4.-OEM # M66-1082X160085N090
DP # 07-8-277-220 | 5.- OEM # FBCL50ZN
DP # 07-8-025-225 |
| 6.- OEM # M84-1004-3
DP # 07-8-065-291 | 7.- OEM # M120834
DP # 07-8-901-220 | 8.- OEM # K007-342-2
DP # 07-8-051-221 | 9. OEM # A50BFE
DP # 07-8-053-221 | 10.- OEM # M16-1005
DP # 07-8-049-221 |
| 11.- OEM # M16-1005R
DP # 07-8-050-221 | 12.- OEM # K041-814-120
DP # 07-8-068-001 | 13.- OEM # M05-1001
DP # 07-8-069-001 | 14.- OEM # K077-352
DP # 07-8-073-225 | 15.- OEM # K054-2956
DP # 07-8-076-221 |

NOTE: Some of Dynaflex OEM Replacement Parts are Universally sized to accommodate a wide range of application and may not be an exact replica of your OEM part. But they will not effect fit and function, typically this applies to tail pipes and flex units.

FREIGHTLINER

PETERBILT

KENWORTH

WESTERN STAR

VOLVO

MACK

INTERNATIONAL

STERLING

FORD

HINO

MODEL:
T800 SINGLES EXHAUST

CLASS:

8

YEAR:

1998

WHEEL BASE:

0004572M

ENGINE SERIAL:

2K58084

ENGINE MAKE:

CAT

MODEL/SERIES:

C12

LTR:

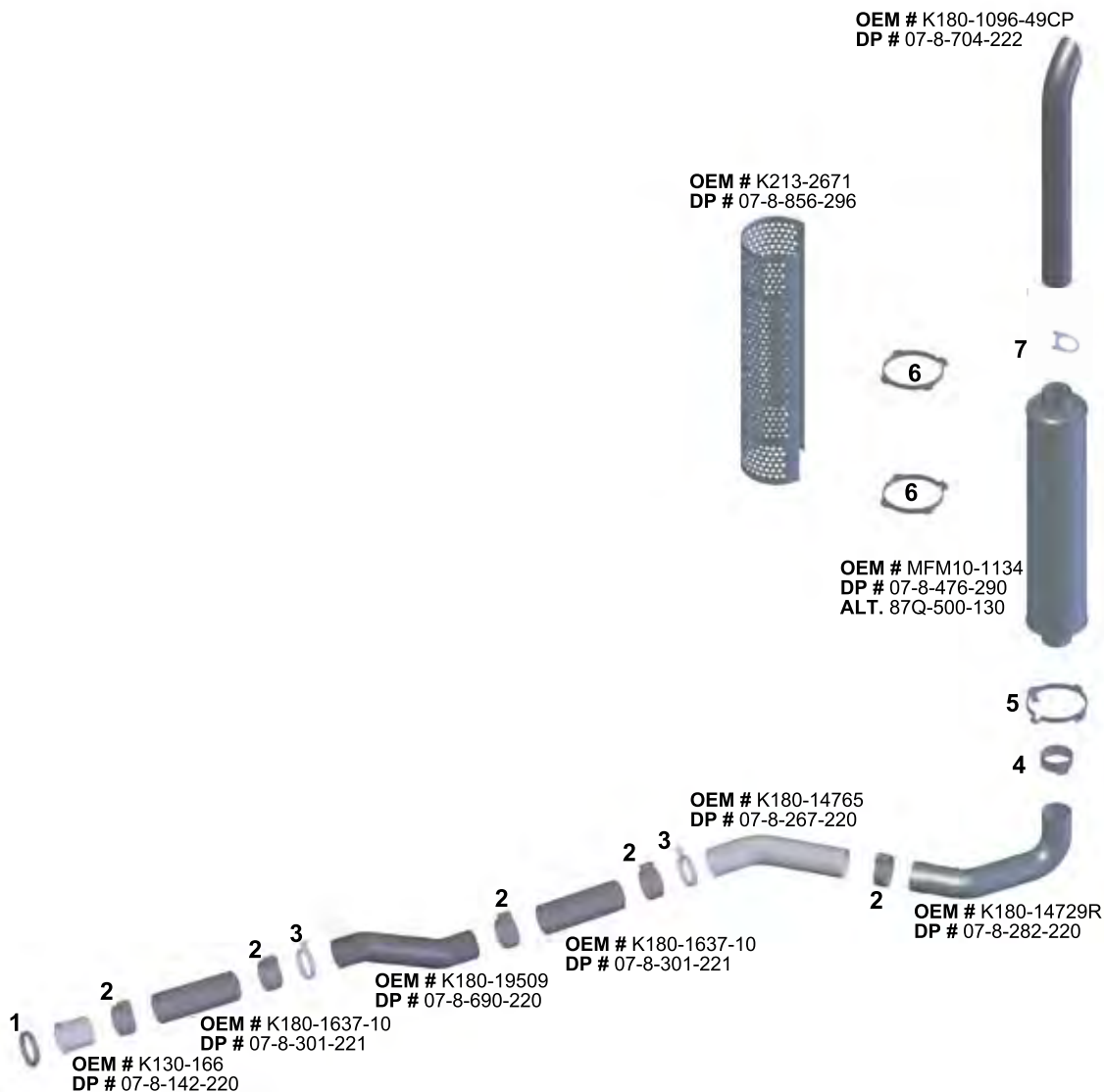
--

HP:

410

WHEEL CONFIG:

4X2



OE NUMBER QUOTED FOR REFERENCE ONLY

1.- OEM # 1010-1
DP # 07-8-001-221

2.- OEM # K077-3421-1
DP # 07-8-051-220

3.- OEM # K077-234
DP # 07-8-061-228

4.- OEM # A50AFE
DP # 07-8-053-220

5.- OEM # K077-399
DP # 07-8-047-295

6.- OEM # K077-301PKG
DP # 07-8-062-295

7.- OEM # 24510
DP # 07-8-026-220

NOTE: Some of Dynaflex OEM Replacement Parts are Universally sized to accommodate a wide range of application and may not be an exact replica of your OEM part. But they will not effect fit and function, typically this applies to tail pipes and flex units.

FREIGHTLINER

PETERBILT

KENWORTH

WESTERN STAR

VOLVO

MACK

INTERNATIONAL

STERLING

FORD

HINO

MODEL
4900EX

CLASS:

8

YEAR:

2003

WHEEL BASE:

-

ENGINE SERIAL:

MBN23514

ENGINE MAKE:

CAT

MODEL/SERIES:

C15

LTR:

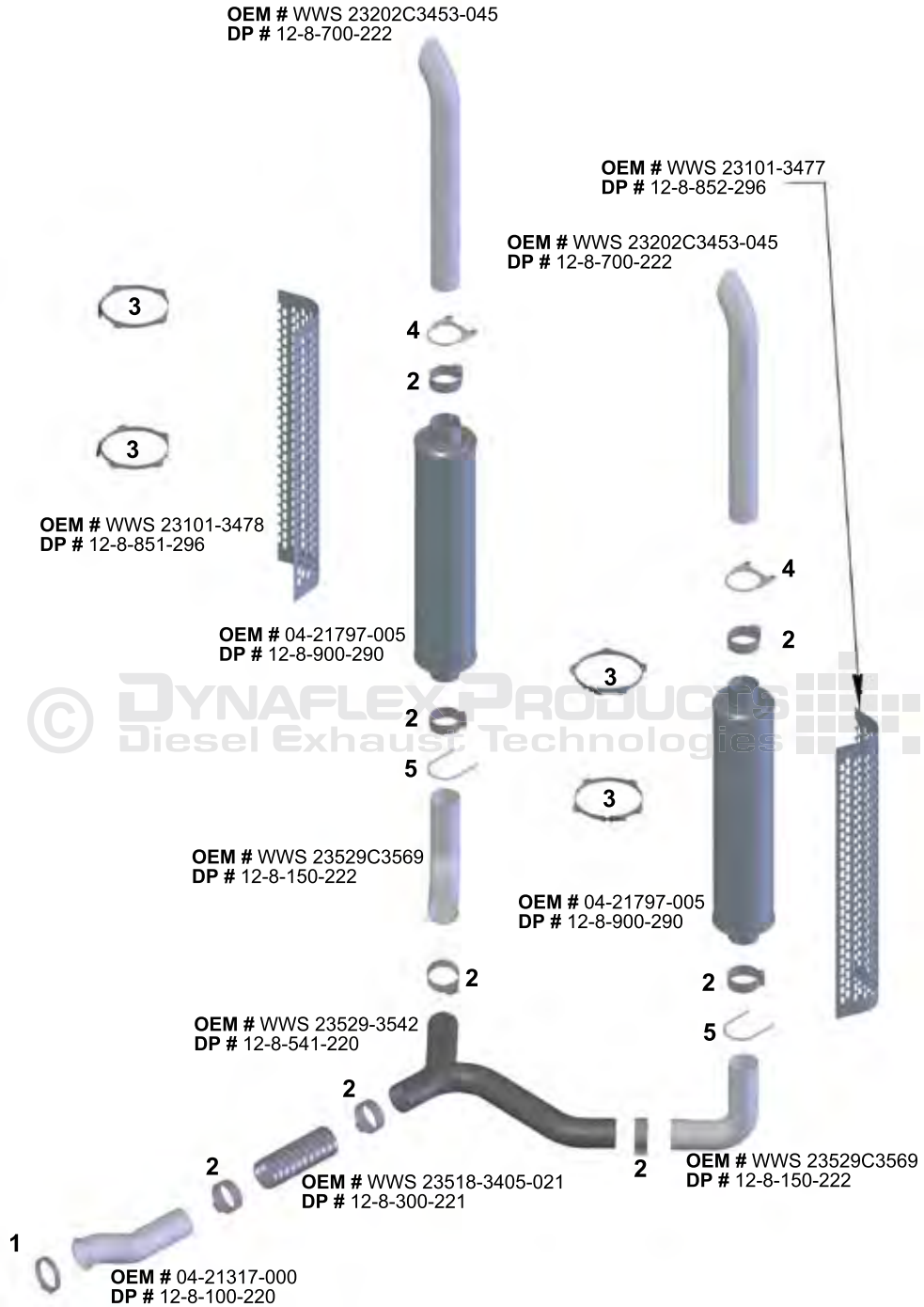
15.2L

HP:

475

WHEEL CONFIG:

4X2



OE NUMBER QUOTED FOR REFERENCE ONLY

1.- OEM # WWS 23504-3432
DP # 12-8-055-221

2.- OEM # WWS 9045723
DP # 12-8-052-221

3.- OEM # WWS 23103-3415
DP # 12-8-071-298

4.- OEM # WWS 23504-3435
DP # 12-8-026-225

5.- OEM # WWS 4020-3405
DP # 12-8-025-225

NOTE: Some of Dynaflex OEM Replacement Parts are Universally sized to accommodate a wide range of application and may not be an exact replica of your OEM part. But they will not effect fit and function, typically this applies to tail pipes and flex units.

MODEL:
4900SA DUAL EXHAUST

CLASS:

8

YEAR:

2006

WHEEL BASE:

240

ENGINE SERIAL:

0160865297

ENGINE MAKE:

MBE

MODEL/SERIES:

460

LTR:

-

HP:

460

WHEEL CONFIG:

4X2

FREIGHTLINER

PETERBILT

KENWORTH

WESTERN STAR

VOLVO

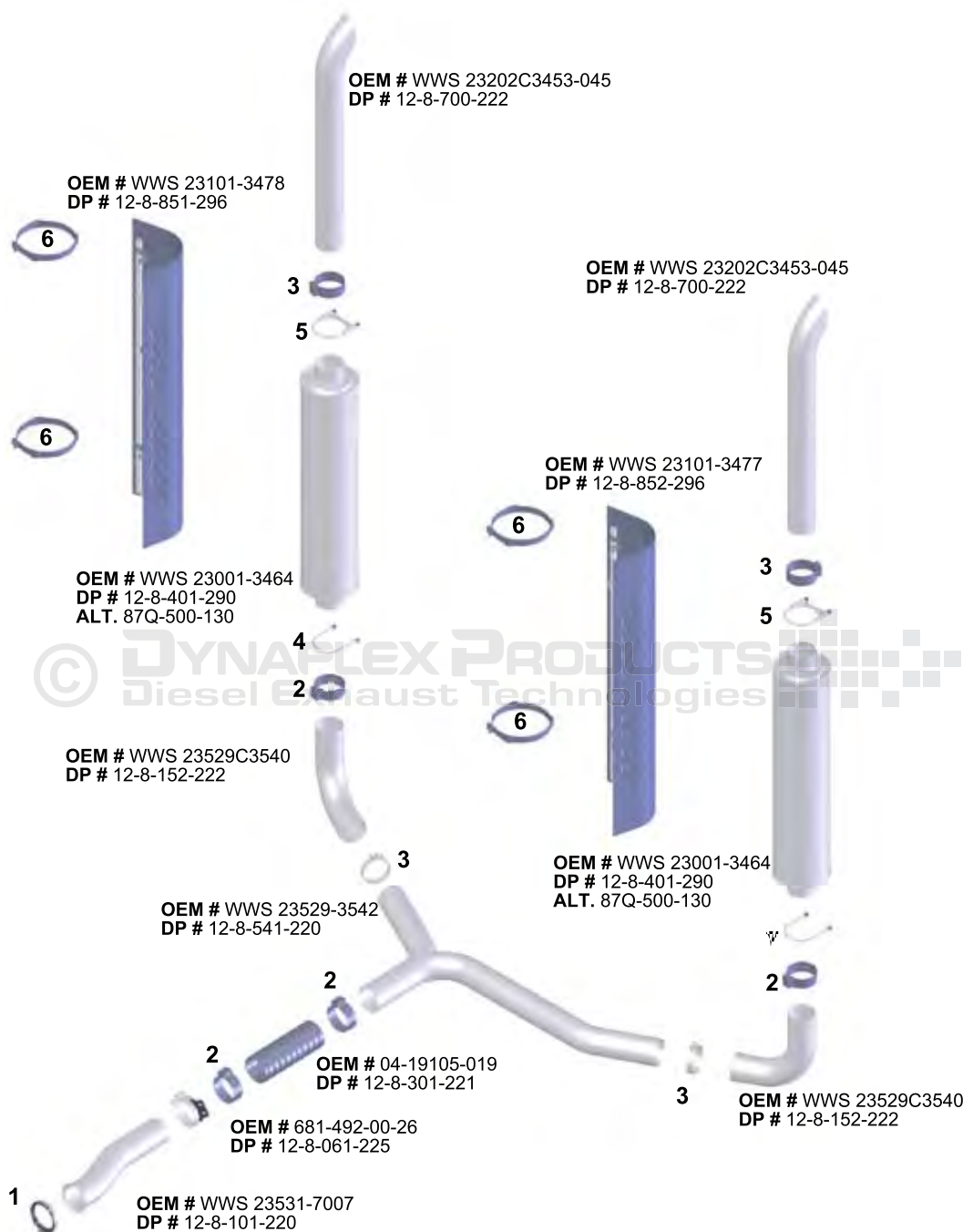
MACK

INTERNATIONAL

STERLING

FORD

HINO



OE NUMBER QUOTED FOR REFERENCE ONLY

1.- OEM # WWS 543871
DP # 12-8-001-221

2.- OEM # 04-21778-000
DP # 12-8-051-221

3.- OEM # 23504-3432
DP # 12-8-055-221

4.- OEM # WWS-4020-3405
DP # 12-8-025-225

5.- OEM # WWS 23504-3435
DP # 12-8-026-225

6.- OEM # WWS-23103-3415
DP # 12-8-071-295

NOTE: Some of Dynaflex OEM Replacement Parts are Universally sized to accommodate a wide range of application and may not be an exact replica of your OEM part. But they will not effect fit and function, typically this applies to tail pipes and flex units.

FREIGHTLINER

PETERBILT

KENWORTH

WESTERN STAR

VOLVO

MACK

INTERNATIONAL

STERLING

FORD

HINO

MODEL
4900 HERITAGE CAB

CLASS:

8

YEAR:

1996

WHEEL BASE:

-

ENGINE SERIAL:

5EK61473

ENGINE MAKE:

CAT

MODEL/SERIES:

3406E

LTR:

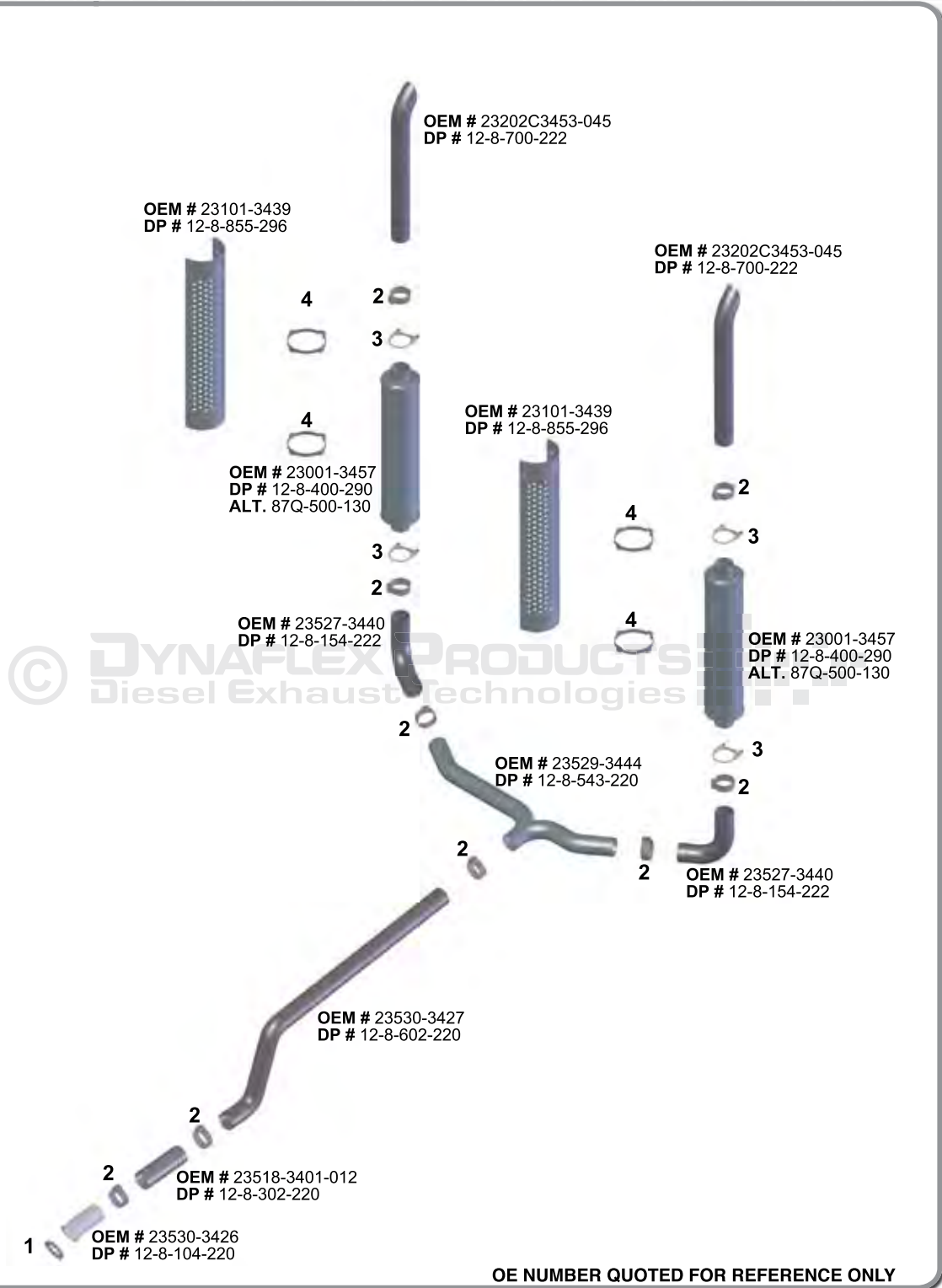
--

HP:

435

WHEEL CONFIG:

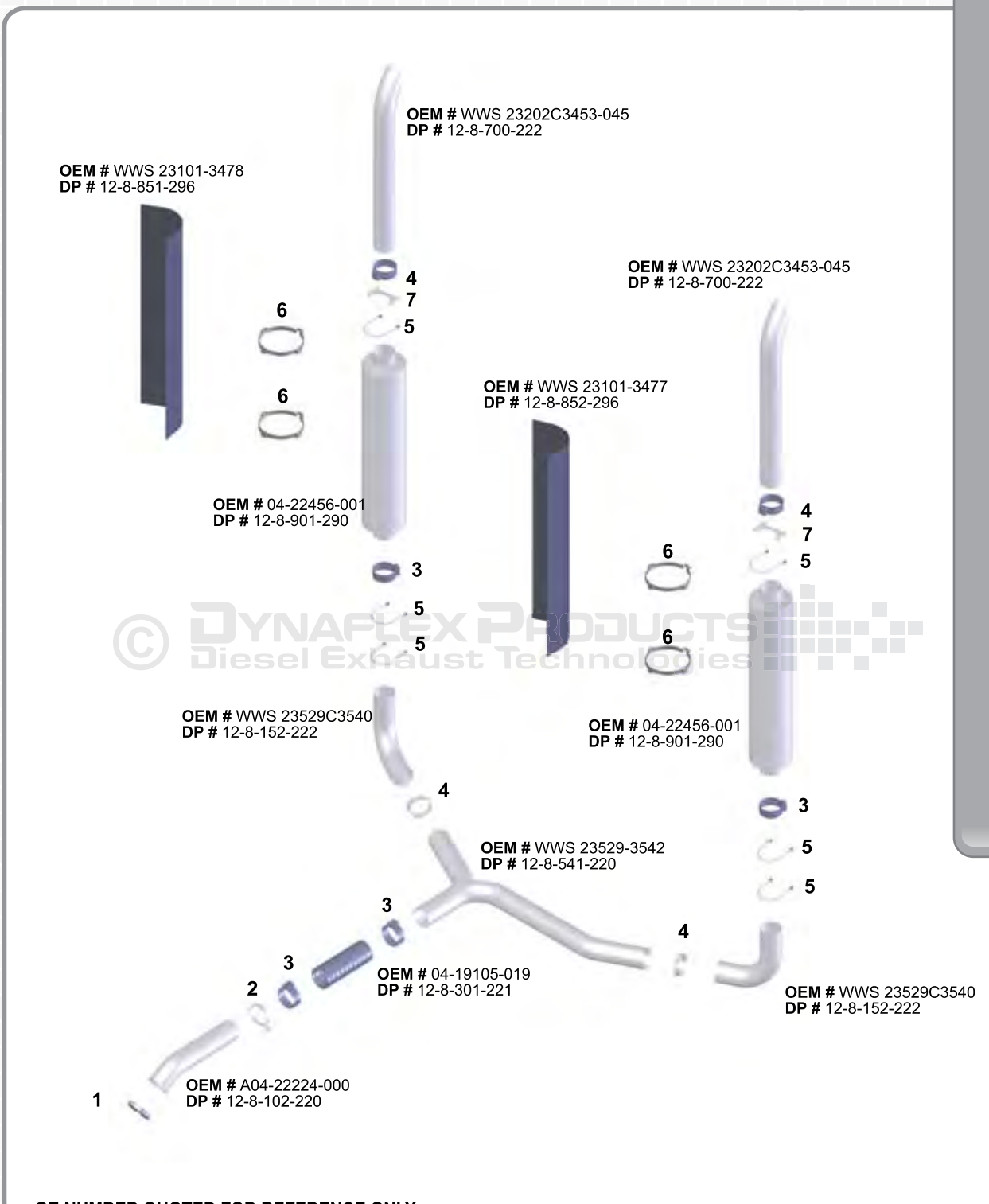
4X2



OE NUMBER QUOTED FOR REFERENCE ONLY

- 1.- OEM # 543871
DP # 12-8-001-221
- 2.- OEM # 9045723
DP # 12-8-052-221
- 3.- OEM # 519060
DP # 12-8-026-225
- 4.- OEM # 23103-3403
DP # 12-8-073-295

NOTE: Some of Dynaflex OEM Replacement Parts are Universally sized to accommodate a wide range of application and may not be an exact replica of your OEM part. But they will not effect fit and function, typically this applies to tail pipes and flex units.



MODEL:	4900EX
CLASS:	8
YEAR:	2007
WHEEL BASE:	235
ENGINE SERIAL:	NX503916
ENGINE MAKE:	CAT
MODEL/SERIES:	C15
LTR:	15.2
HP:	475
WHEEL CONFIG:	-

- FREIGHTLINER
- PETERBILT
- KENWORTH
- WESTERN STAR
- VOLVO
- MACK
- INTERNATIONAL
- STERLING
- FORD
- HINO

OE NUMBER QUOTED FOR REFERENCE ONLY

- | | | | |
|---|---|---|---|
| 1.- OEM # WWS 543871
DP # 12-8-001-221 | 2.- OEM # 681-492-00-26
DP # 12-8-061-225 | 3.- OEM # 04-21778-000
DP # 12-8-051-221 | 4.- OEM # WWS 23504-3432
DP # 12-8-055-221 |
| 5.- OEM # 23-11429-005
DP # 12-8-025-225 | 6.- OEM # WWS 23103-3415
DP # 12-8-071-298 | 7.- OEM # 23-11430-005
DP # 12-8-027-225 | |

NOTE: Some of Dynaflex OEM Replacement Parts are Universally sized to accommodate a wide range of application and may not be an exact replica of your OEM part. But they will not effect fit and function, typically this applies to tail pipes and flex units.

FREIGHTLINER

PETERBILT

KENWORTH

WESTERN STAR

VOLVO

MACK

INTERNATIONAL

STERLING

FORD

HINO

MODEL:
4900EX

CLASS:

8

YEAR:

2008

WHEEL BASE:

265

ENGINE SERIAL:

06R0785856

ENGINE MAKE:

DDE

MODEL/SERIES:

60

LTR:

14.7L

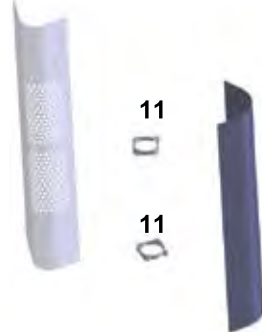
HP:

490

WHEEL CONFIG:

4X4

OEM # WWS-23101-3478
DP # 12-8-851-226



OEM # 23202C3464-053
DP # 12-8-701-222

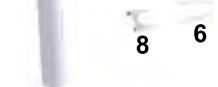


OEM # 04-23988-059
DP # 12-8-500-226

OEM # 04-23843-000
DP # 12-8-854-299

OEM # WWS-23101-3477
DP # 12-8-852-226

OEM # 23202C3464-053
DP # 12-8-701-222



OEM # 04-23841-001
DP # 12-8-153-226

OEM # 04-23843-000
DP # 12-8-854-299



OEM # 04-23721-019
DP # 12-8-301-221

OEM # 04-23988-059
DP # 12-8-500-226

OEM # A04-23836-000
DP # 12-8-542-221

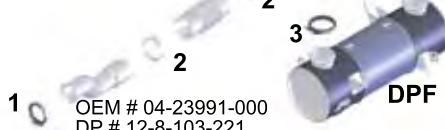
OEM # 04-23721-019
DP # 12-8-301-221

OEM # 04-23841-001
DP # 12-8-153-226

OEM # A04-23835-000
DP # 12-8-600-221

OEM # 04-23990-000
DP # 12-8-601-221

OEM # 04-23657-018
DP # 12-8-310-221



OEM # 04-23991-000
DP # 12-8-103-221

DPF

OE NUMBER QUOTED FOR REFERENCE ONLY

- | | | | |
|---|---|---|---|
| 1.- OEM # 681-492-00-40
DP # 12-8-003-151 | 2.- OEM # 681-492-00-26
DP # 12-8-061-225 | 3.- OEM # 01-14596-000
DP # 12-8-002-221 | 4.- OEM # 04-21778-000
DP # 12-8-051-221 |
| 5.- OEM # WWS-23504-3435
DP # 12-8-026-225 | 6.- OEM # WWS-4020-3405
DP # 12-8-025-225 | 7.- OEM # 04-22655-002
DP # 12-8-043-228 | 8.- OEM # 04-22537-003
DP # 12-8-042-228 |
| 9.- OEM # 04-22655-003
DP # 12-8-044-228 | 10.- OEM # A04-22537-002
DP # 12-8-041-228 | 11.- OEM # A04-23842-000
DP # 12-8-072-228 | |

NOTE: Some of Dynaflex OEM Replacement Parts are Universally sized to accommodate a wide range of application and may not be an exact replica of your OEM part. But they will not effect fit and function, typically this applies to tail pipes and flex units.

MODEL:
64TT 780 DUAL EXHAUST

CLASS:

8

YEAR:

2004

WHEEL BASE:

231

ENGINE SERIAL:

79054586

ENGINE MAKE:

CUMMINS

MODEL/SERIES

ISX

LTR:

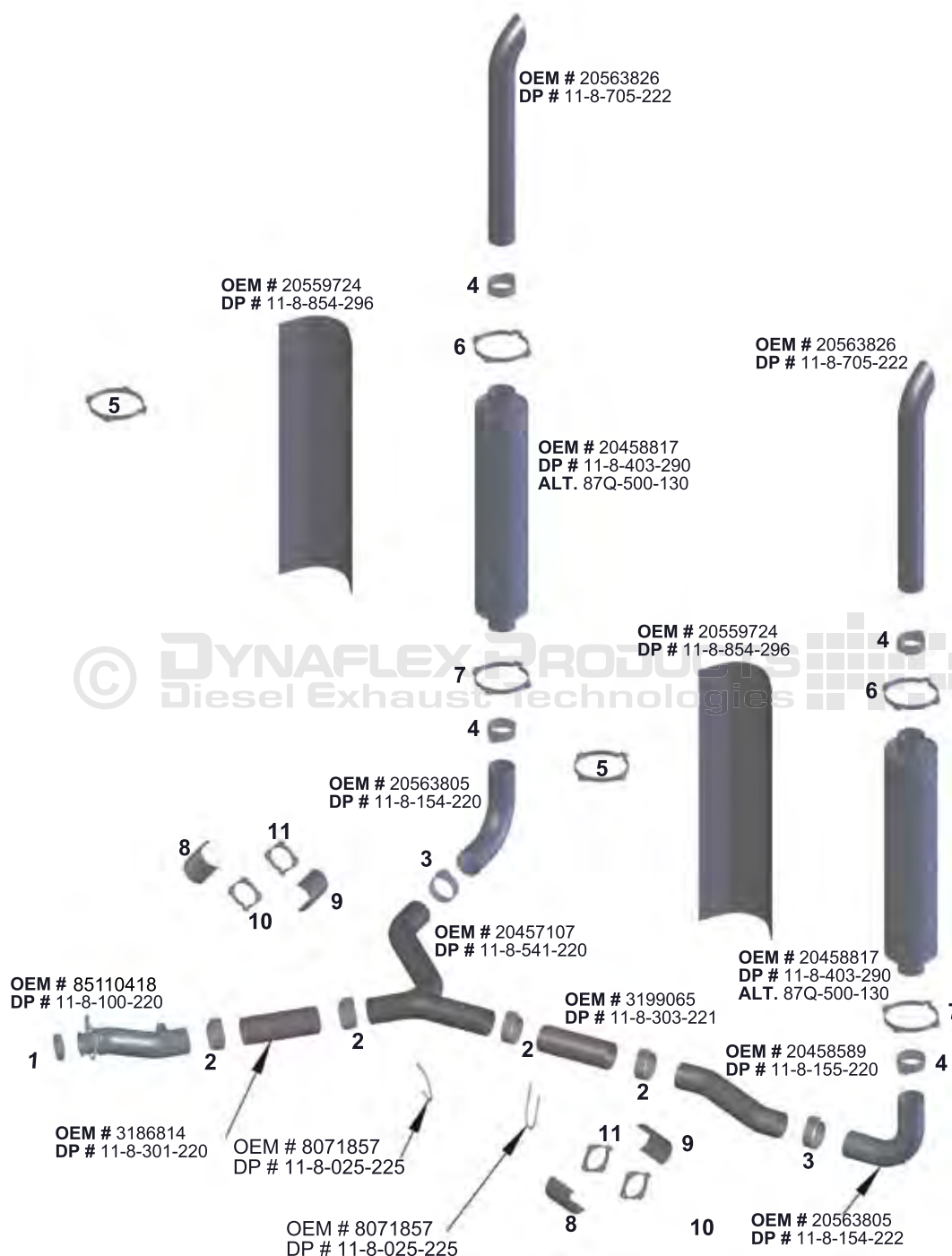
15

HP:

530

WHEEL CONFIG:

4X2



OE NUMBER QUOTED FOR REFERENCE ONLY

1.-OEM # 8071156 2.-OEM # 8071883 3.-OEM # 8073052 4.-OEM # 20477610 5. OEM # 20565048 6.-OEM # 20565050
DP # 11-8-003-151 DP # 11-8-051-220 DP # 11-8-055-220 DP # 11-8-053-228 DP # 11-8-076-291 DP # 11-8-075-291

7.-OEM # 20413708 8.-OEM # 24425210 9.-OEM # 24425208 10.-OEM # 24425222 11.-OEM # 24425220
DP # 11-8-071-291 DP # 11-8-086-000 DP # 11-8-085-000 DP # 11-8-044-220 DP # 11-8-045-221

NOTE: Some of Dynaflex OEM Replacement Parts are Universally sized to accommodate a wide range of application and may not be an exact replica of your OEM part. But they will not effect fit and function, typically this applies to tail pipes and flex units.

- FREIGHTLINER
- PETERBILT
- KENWORTH
- WESTERN STAR
- VOLVO
- MACK
- INTERNATIONAL
- STERLING
- FORD
- HINO

FREIGHTLINER

PETERBILT

KENWORTH

WESTERN STAR

VOLVO

MACK

INTERNATIONAL

STERLING

FORD

HINO

MODEL:
VNL 64T 780
DUAL EXHAUST

CLASS:

8

YEAR:

2005

WHEEL BASE:

231"

ENGINE SERIAL:

79065041

ENGINE MAKE:

CUMMINS

MODEL/SERIES:

ISX530

LTR:

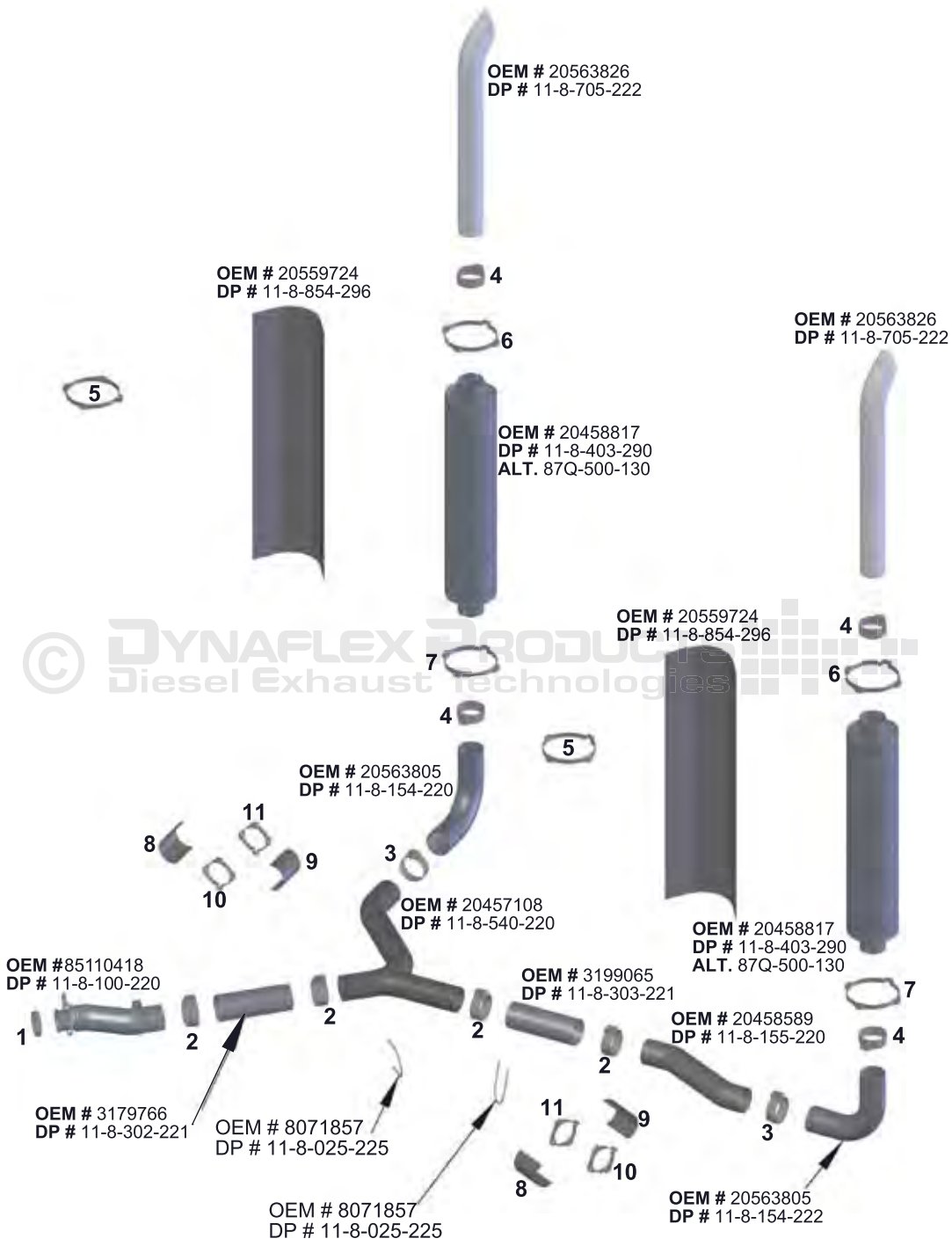
15

HP:

530

WHEEL CONFIG:

4X2



OE NUMBER QUOTED FOR REFERENCE ONLY

- | | | | | | |
|--|--|--|---|---|--|
| 1. OEM # 8071156
DP # 11-8-003-151 | 2. OEM # 8071883
DP # 11-8-051-220 | 3. OEM # 8073052
DP # 11-8-055-220 | 4. OEM # 20477610
DP # 11-8-053-228 | 5. OEM # 20565048
DP # 11-8-076-291 | 6. OEM # 20565050
DP # 11-8-075-291 |
| 7. OEM # 20413708
DP # 11-8-071-221 | 8. OEM # 24425210
DP # 11-8-086-000 | 9. OEM # 24425208
DP # 11-8-085-000 | 10. - OEM # 24425222
DP # 11-8-044-220 | 11. OEM # 24425220
DP # 11-8-045-221 | |

NOTE: Some of Dynaflex OEM Replacement Parts are Universally sized to accommodate a wide range of application and may not be an exact replica of your OEM part. But they will not effect fit and function, typically this applies to tail pipes and flex units.

MODEL
VNM 64T DAY CAB
SINGLE EXHAUST

CLASS:

8

YEAR:

2003

WHEEL BASE:

164

ENGINE SERIAL:

VED12C

ENGINE MAKE:

VOLVO

MODEL/SERIES:

D12C

LTR:

12

HP:

425

WHEEL CONFIG:

FREIGHTLINER

PETERBILT

KENWORTH

WESTERN STAR

VOLVO

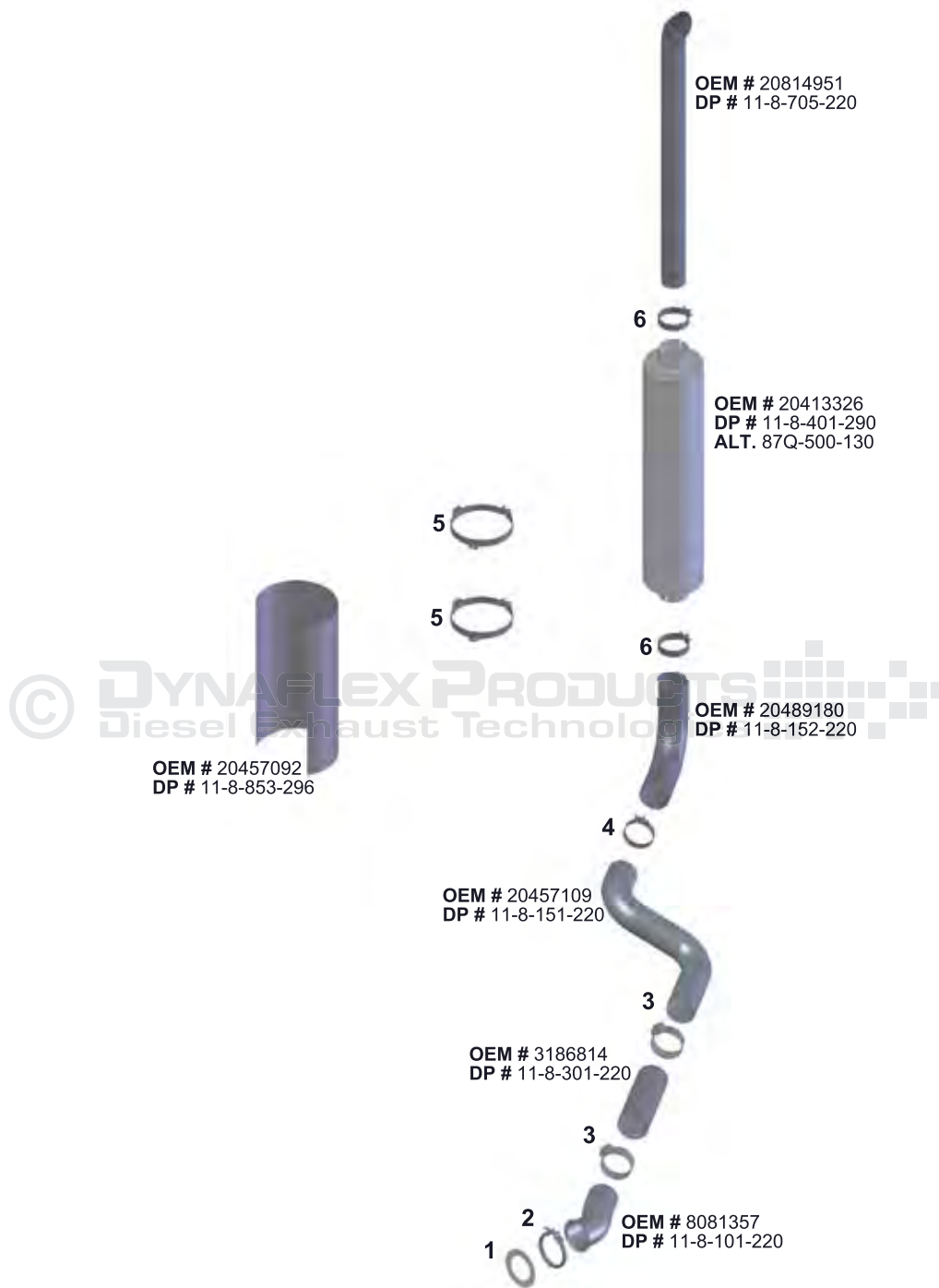
MACK

INTERNATIONAL

STERLING

FORD

HINO



OE NUMBER QUOTED FOR REFERENCE ONLY

1.- OEM# 1638168
DP # 11-8-091-220
4.- OEM # 8073052
DP # 11-8-055-220

2.- OEM# 1629499
DP # 11-8-005-220
5.- OEM # 20413708
DP # 11-8-071-290

3.- OEM # 8071883
DP # 11-8-051-220
6.- OEM # 20477610
DP # 11-8-053-228

NOTE: Some of Dynaflex OEM Replacement Parts are Universally sized to accommodate a wide range of application and may not be an exact replica of your OEM part. But they will not effect fit and function, typically this applies to tail pipes and flex units.

FREIGHTLINER

PETERBILT

KENWORTH

WESTERN STAR

VOLVO

MACK

INTERNATIONAL

STERLING

FORD

HINO

MODEL:
VNL 64T 670
SINGLE EXHAUST

CLASS:

8

YEAR:

2004

WHEEL BASE:

211

ENGINE SERIAL:

D12392251D2A

ENGINE MAKE:

VOLVO

MODEL/SERIES

VED12D

LTR:

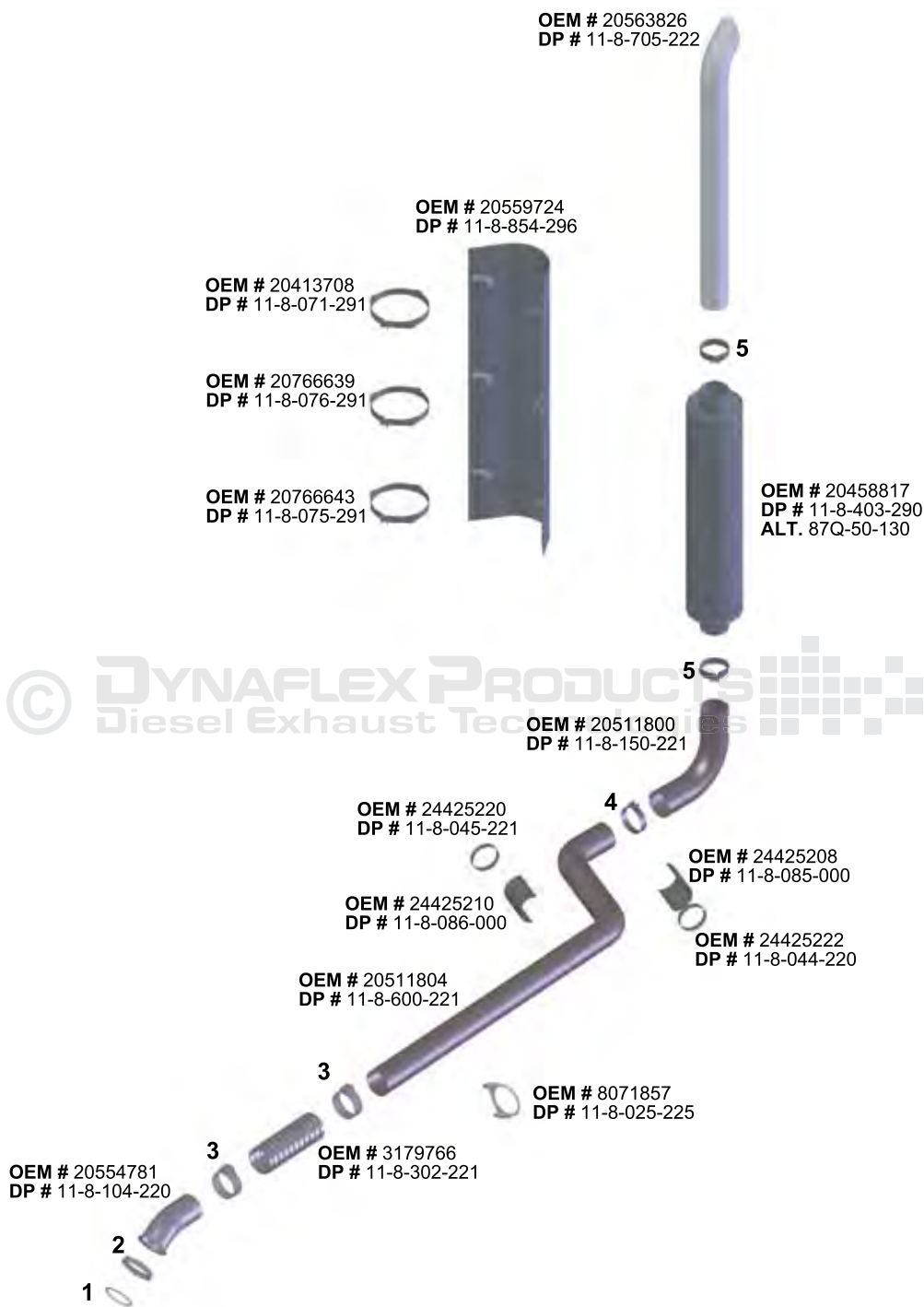
12

HP:

465

WHEEL CONFIG:

4X2



OE NUMBER QUOTED FOR REFERENCE ONLY

1 - OEM # 1638168
DP # 11-8-091-220

2 - OEM # 1629499
DP # 11-8-005-220

3 - OEM # 8071883
DP # 11-8-051-220

4 - OEM # 8073052
DP # 11-8-055-220

5 - OEM # 20477610
DP # 11-8-053-228

NOTE: Some of Dynaflex OEM Replacement Parts are Universally sized to accommodate a wide range of application and may not be an exact replica of your OEM part. But they will not effect fit and function, typically this applies to tail pipes and flex units.

FREIGHTLINER

PETERBILT

KENWORTH

WESTERN STAR

VOLVO

MACK

INTERNATIONAL

STERLING

FORD

HINO

MODEL:
VNL64T
SINGLE EXHAUST

CLASS:

9

YEAR:

2004

WHEEL BASE:

211

ENGINE SERIAL:

79001412

ENGINE MAKE:

CUMMINS

MODEL/SERIES:

ISX475

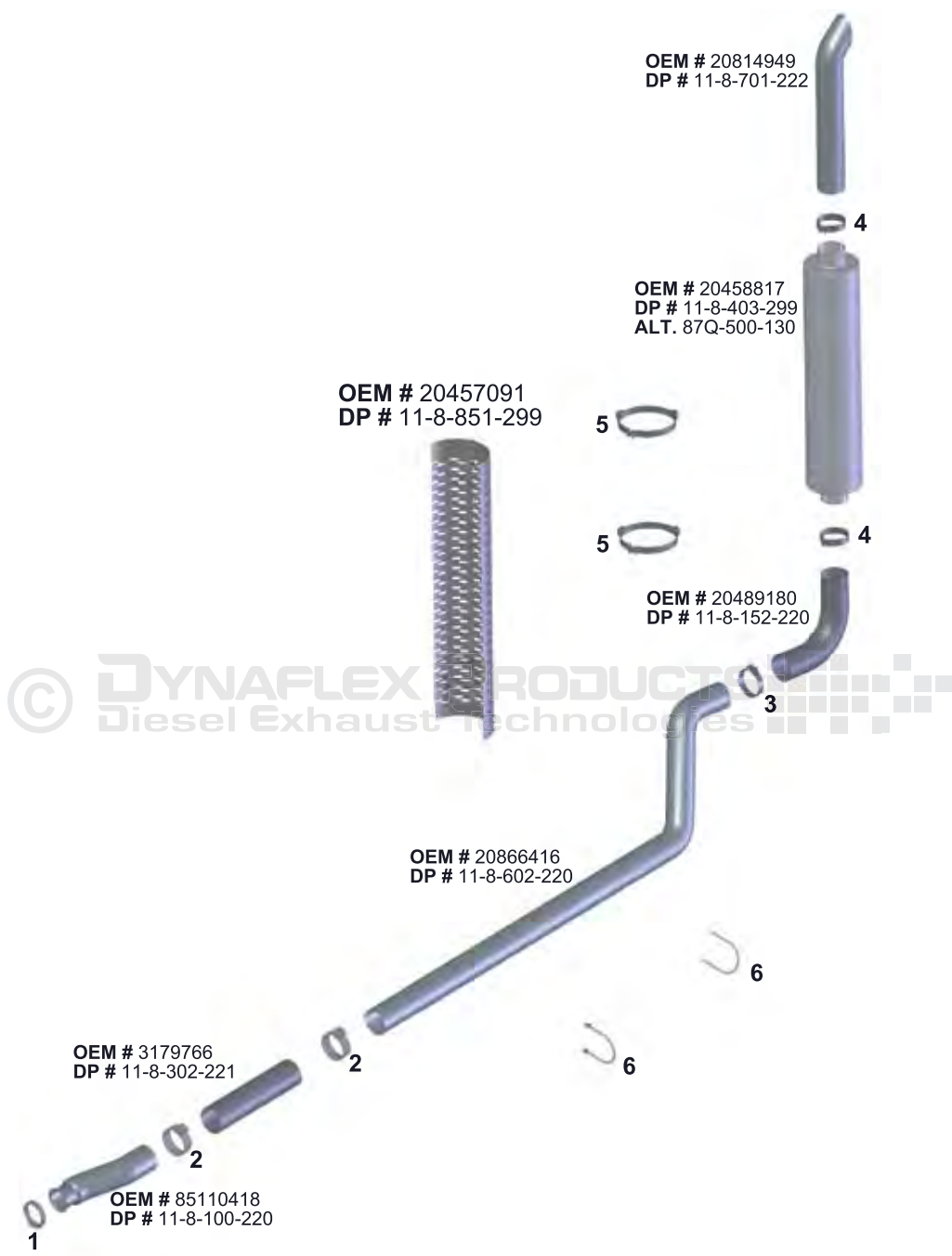
LTR:

15L

HP:

475

WHEEL CONFIG:



© DYNAFLEX PRODUCTS Diesel Exhaust Technologies

OE NUMBER QUOTED FOR REFERENCE ONLY

- | | | |
|---|---|--|
| 1.- OEM # 8071156
DP # 11-8-003-151 | 2.- OEM # 8071883
DP # 11-8-051-220 | 3.- OEM # 8073052
DP # 11-8-055-220 |
| 4.- OEM # 20477610
DP # 11-8-053-228 | 5.- OEM # 20413705
DP # 11-8-073-291 | 6.- OEM # 8071857
DP # 11-8-025-225 |

NOTE: Some of Dynaflex OEM Replacement Parts are Universally sized to accommodate a wide range of application and may not be an exact replica of your OEM part. But they will not effect fit and function, typically this applies to tail pipes and flex units.

FREIGHTLINER

PETERBILT

KENWORTH

WESTERN STAR

VOLVO

MACK

INTERNATIONAL

STERLING

FORD

HINO

MODEL:
CH612
DAY CAB SINGLE

CLASS:
8

YEAR:
1997

WHEEL BASE:
157

ENGINE SERIES:
11GB79470

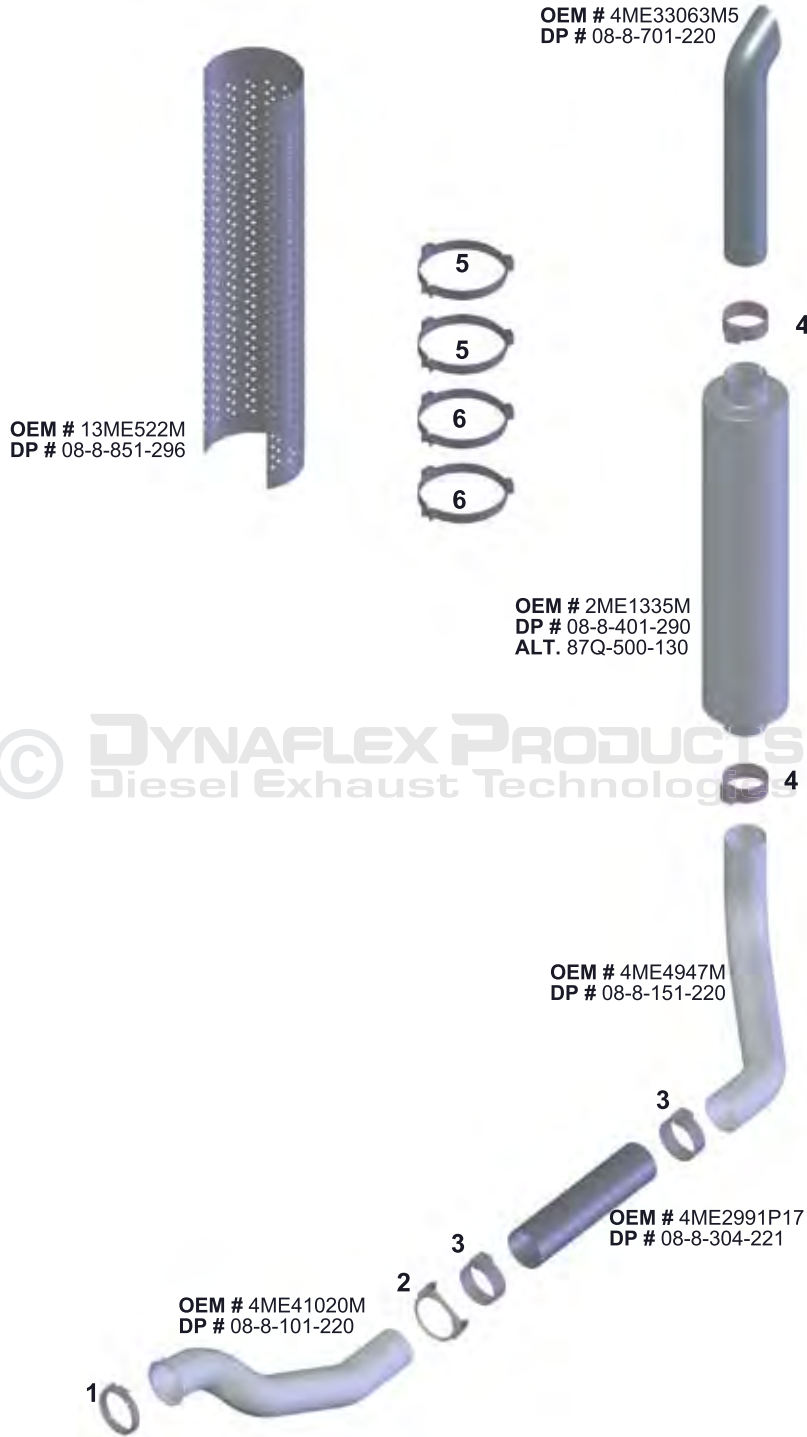
ENGINE MAKE:
MACK

MODEL/SERIES:
1996 EPAVMGC2

LTR:
38

HP:
-

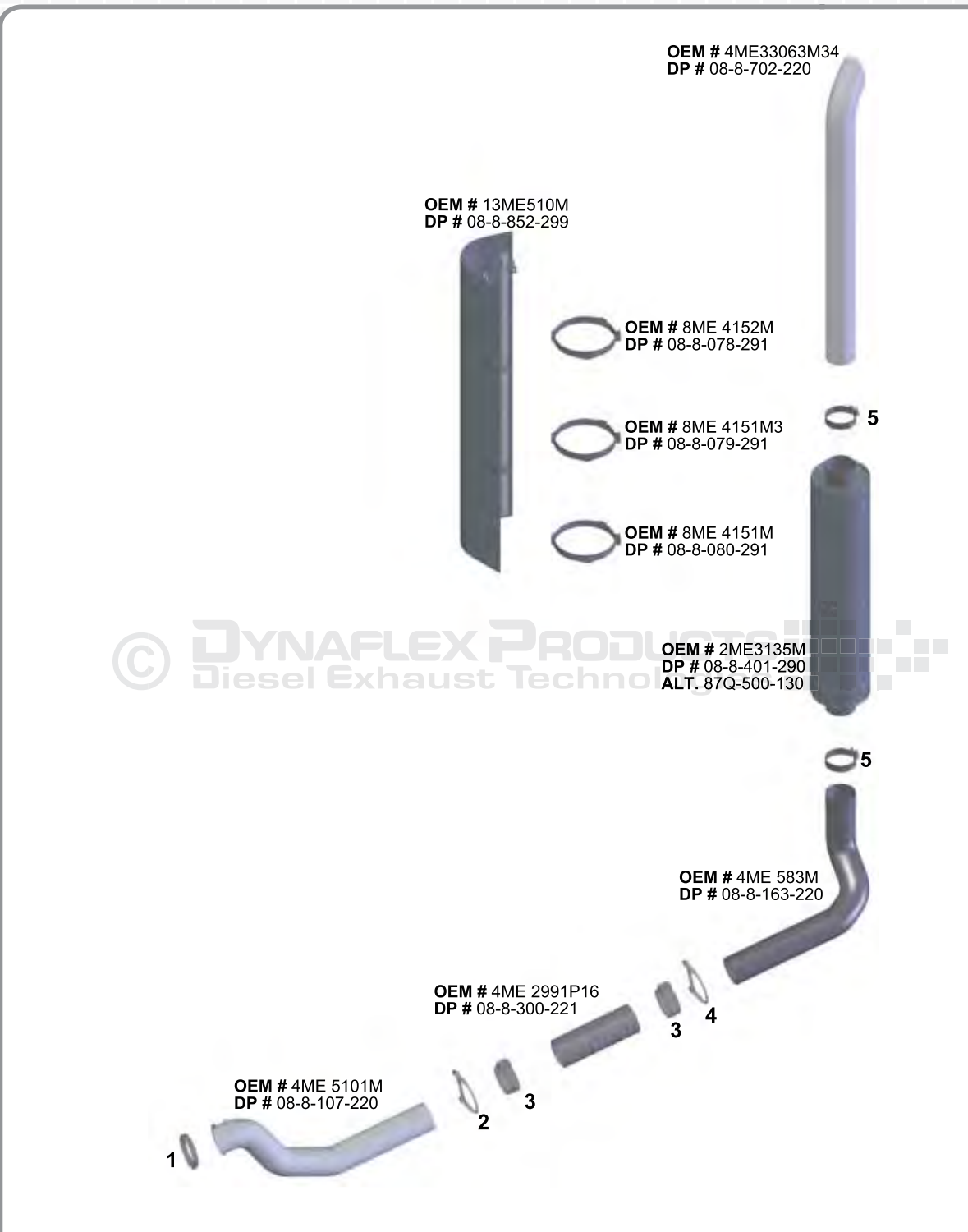
WHEEL CONFIG:
4X2



OE NUMBER QUOTED FOR REFERENCE ONLY

- | | | |
|---|--|--|
| 1.- OEM # 11ME241
DP # 08-8-001-221 | 2.- OEM # 83AX840
DP # 08-8-025-225 | 3.- OEM # ME229P3
DP # 08-8-051-220 |
| 4.- OEM # 11ME330M
DP # 08-8-053-220 | 5.- OEM # 8ME4175M5
DP # 08-8-073-221 | 6.- OEM # 8ME4174M5
DP # 08-8-071-291 |

NOTE: Some of Dynaflex OEM Replacement Parts are Universally sized to accommodate a wide range of application and may not be an exact replica of your OEM part. But they will not effect fit and function, typically this applies to tail pipes and flex units.



OEM # 4ME33063M34
DP # 08-8-702-220

OEM # 13ME510M
DP # 08-8-852-299

OEM # 8ME 4152M
DP # 08-8-078-291

OEM # 8ME 4151M3
DP # 08-8-079-291

OEM # 8ME 4151M
DP # 08-8-080-291

OEM # 2ME3135M
DP # 08-8-401-290
ALT. 87Q-500-130

OEM # 4ME 583M
DP # 08-8-163-220

OEM # 4ME 2991P16
DP # 08-8-300-221

OEM # 4ME 5101M
DP # 08-8-107-220

OE NUMBER QUOTED FOR REFERENCE ONLY

1.- OEM # 11ME 241
DP # 08-8-001-221

2.- OEM # 48RU 3104P4
DP # 08-8-026-225

3.- OEM # 11ME 229P3
DP # 08-8-051-220

4.- OEM # 83AX840
DP # 08-8-025-225

5.- OEM # 11ME 330M
DP # 08-8-053-220

NOTE: Some of Dynaflex OEM Replacement Parts are Universally sized to accommodate a wide range of application and may not be an exact replica of your OEM part. But they will not effect fit and function, typically this applies to tail pipes and flex units.

MODEL: CH 613 DAY CAB SINGLE EXHAUST
CLASS: 8
YEAR: 2001
WHEEL BASE: 151
ENGINE SERIAL: 11GB46654
ENGINE MAKE: MACK
MODEL/SERIES: 7350
LTR: 12.0
HP: 350
WHEEL CONFIG: 4X2

- FREIGHTLINER
- PETERBILT
- KENWORTH
- WESTERN STAR
- VOLVO
- MACK**
- INTERNATIONAL
- STERLING
- FORD
- HINO

FREIGHTLINER

PETERBILT

KENWORTH

WESTERN STAR

VOLVO

MACK

INTERNATIONAL

STERLING

FORD

HINO

MODEL:
CH613 DAY CAB
SINGLE EXHAUST

CLASS:

8

YEAR:

1997

WHEEL BASE:

157

ENGINE SERIAL:

11GB79922

ENGINE MAKE:

MACK

MODEL/SERIES:

E7-350CV-MACK11

LTR:

-

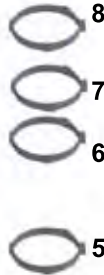
HP:

350

WHEEL CONFIG:

4X2

OEM # 13ME 518M
DP # 08-8-850-296



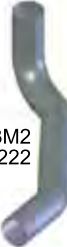
OEM # 4ME 33063M44
DP # 08-8-700-222



OEM # 2ME3135M
DP # 08-8-401-290
ALT. 87Q-500-130



OEM # 4ME583M2
DP # 08-8-162-222



OEM # 4ME2991P17
DP # 08-8-304-221



OEM # 4ME 41020M
DP # 08-8-101-220



OE NUMBER QUOTED FOR REFERENCE ONLY

1.- OEM # 11ME 241
DP # 08-8-001-221

2.- OEM # 83AX 840
DP # 08-8-025-225

3.- OEM # 11ME 229P3
DP # 08-8-051-220

4.- OEM # 11ME 330M
DP # 08-8-053-220

5.- OEM # 8ME 4174M6
DP # 08-8-074-291

6.- OEM # 8ME 4174M7
DP # 08-8-077-291

7.- OEM # 8ME 4175M7
DP # 08-8-075-291

8.- OEM # 8ME 4175M6
DP # 08-8-076-291

NOTE: Some of Dynaflex OEM Replacement Parts are Universally sized to accommodate a wide range of application and may not be an exact replica of your OEM part. But they will not effect fit and function, typically this applies to tail pipes and flex units.

MODEL:
CV713 GRANIT
DAY CAB ROLL OFF SINGLE

CLASS:

8

YEAR:

2005

WHEEL BASE:

248

ENGINE SERIAL:

11GB240974

ENGINE MAKE:

MACK

MODEL/SERIES:

A1-350ASET

LTR:

-

HP:

350

WHEEL CONFIG:

4X2

FREIGHTLINER

PETERBILT

KENWORTH

WESTERN STAR

VOLVO

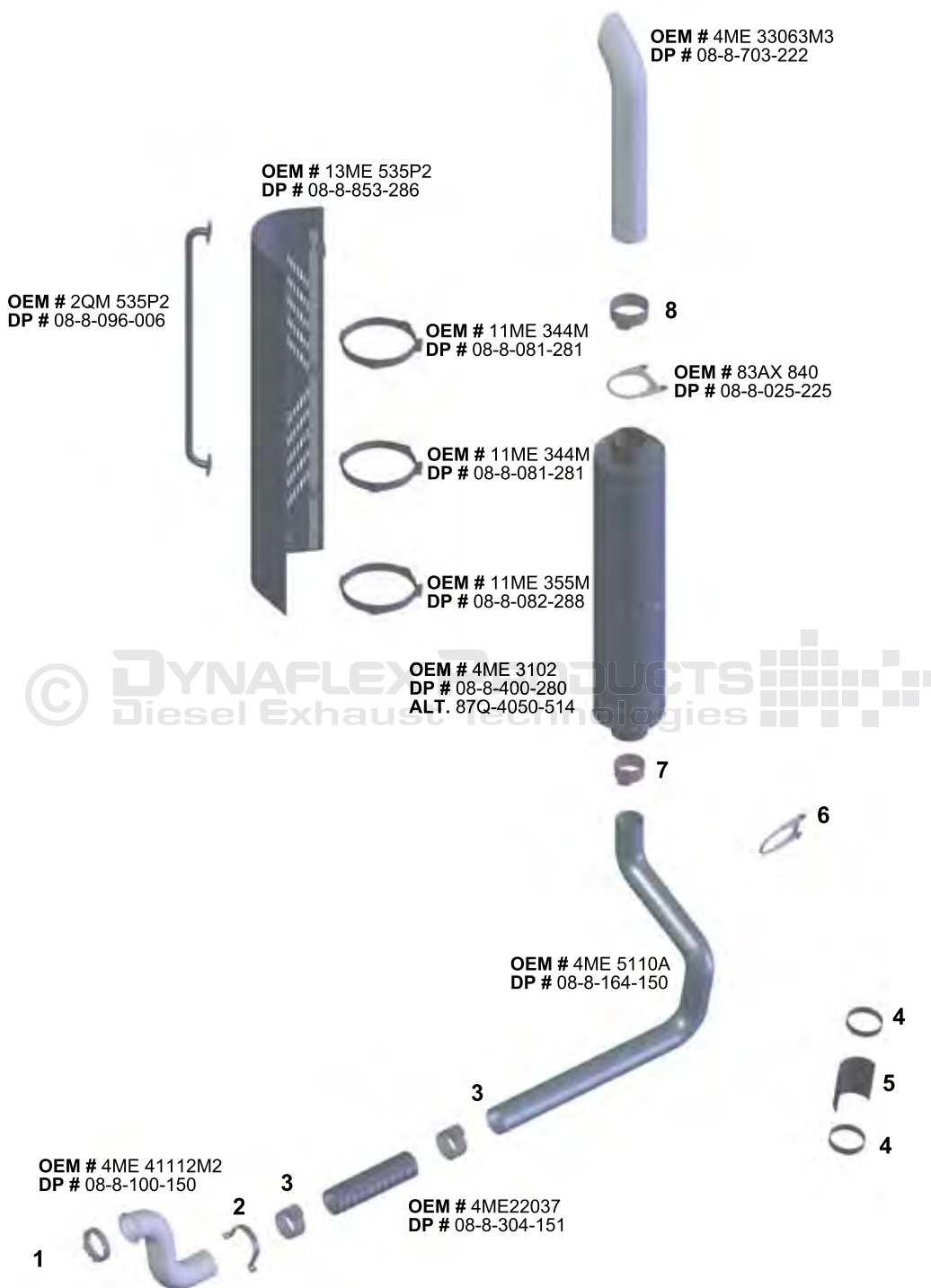
MACK

INTERNATIONAL

STERLING

FORD

HINO



OEM # 2QM 535P2
DP # 08-8-096-006

OEM # 13ME 535P2
DP # 08-8-853-286

OEM # 11ME 344M
DP # 08-8-081-281

OEM # 11ME 344M
DP # 08-8-081-281

OEM # 11ME 355M
DP # 08-8-082-288

OEM # 4ME 3102
DP # 08-8-400-280
ALT. 87Q-4050-514

OEM # 4ME 33063M3
DP # 08-8-703-222

8

OEM # 83AX 840
DP # 08-8-025-225

7

6

OEM # 4ME 5110A
DP # 08-8-164-150

3

OEM # 4ME 41112M2
DP # 08-8-100-150

2

3

OEM # 4ME22037
DP # 08-8-304-151

1

OE NUMBER QUOTED FOR REFERENCE ONLY

1.- OEM # 11E 241
DP # 08-8-001-221

2.- OEM # 11ME 342M
DP # 08-8-041-155

3.- OEM # 11ME 229P2
DP # 08-8-051-150

4.- OEM # 83AX698
DP # 08-8-090-151

5.- OEM # 13ME 3246M
DP # 08-8-085-150

6.- OEM # 48RU3104P3
DP # 08-8-026-155

7.- OEM # 11ME 334M
DP # 08-8-053-150

8.- OEM # 11ME 348M
DP # 08-8-052-228

NOTE: Some of Dynaflex OEM Replacement Parts are Universally sized to accommodate a wide range of application and may not be an exact replica of your OEM part. But they will not effect fit and function, typically this applies to tail pipes and flex units.

FREIGHTLINER

PETERBILT

KENWORTH

WESTERN STAR

VOLVO

MACK

INTERNATIONAL

STERLING

FORD

HINO

MODEL:
460 CX613
DUAL EXHAUST

CLASS:

8

YEAR:

2001

WHEEL BASE:

211

ENGINE SERIAL:

11GB1423Y

ENGINE MAKE:

MACK

MODEL/SERIES:

E7460ETEC

LTR:

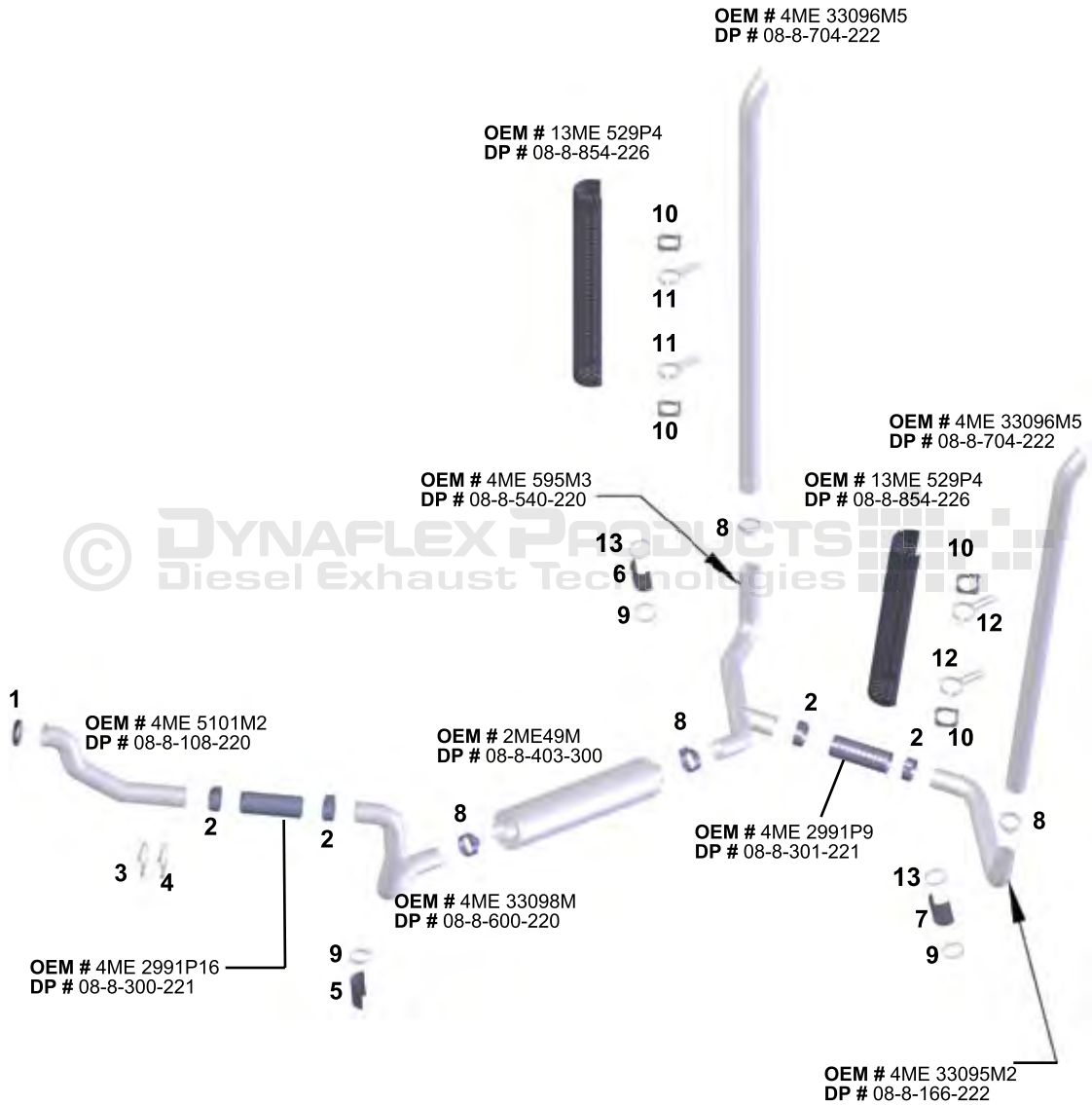
12-7L

HP:

460

WHEEL CONFIG:

4X2



OE NUMBER QUOTED FOR REFERENCE ONLY

- | | | | | |
|--|--|--|---|---|
| 1.- OEM # 11ME 241
DP # 08-8-001-221 | 2.- OEM # 11ME 229P3
DP # 08-8-051-220 | 3.- OEM # 48RU 3104P4
DP # 08-8-026-225 | 4.- OEM # 83AX 840
DP # 08-8-025-225 | 5.- OEM # 13ME 3234M
DP # 08-8-086-220 |
| 6.- OEM # 13ME 461M
DP # 08-8-087-220 | 7.- OEM # 13ME 3231M
DP # 08-8-088-220 | 8.- OEM # 11ME 330M
DP # 08-8-053-220 | 9.- OEM # 8ME 4159M2
DP # 08-8-091-221 | 10.- OEM # 11ME 326
DP # 08-8-083-222 |
| 11.- OEM # 8ME 4197M2
DP # 08-8-043-222 | 12.- OEM # 8ME 4197M4
DP # 08-8-042-222 | 13.- OEM # 8ME 4159M
DP # 08-8-092-221 | | |

NOTE: Some of Dynaflex OEM Replacement Parts are Universally sized to accommodate a wide range of application and may not be an exact replica of your OEM part. But they will not effect fit and function, typically this applies to tail pipes and flex units.

MODEL:
CH613 SINGLE
EXHAUST DUMP TRUCK

CLASS:

8

YEAR:

1996

WHEEL BASE:

222

ENGINE SERIAL:

11GB78805

ENGINE MAKE:

MACK

MODEL/SERIES:

E7350VMAC

LTR:

7.28 CU.IN

HP:

350

WHEEL CONFIG:

4X2

FREIGHTLINER

PETERBILT

KENWORTH

WESTERN STAR

VOLVO

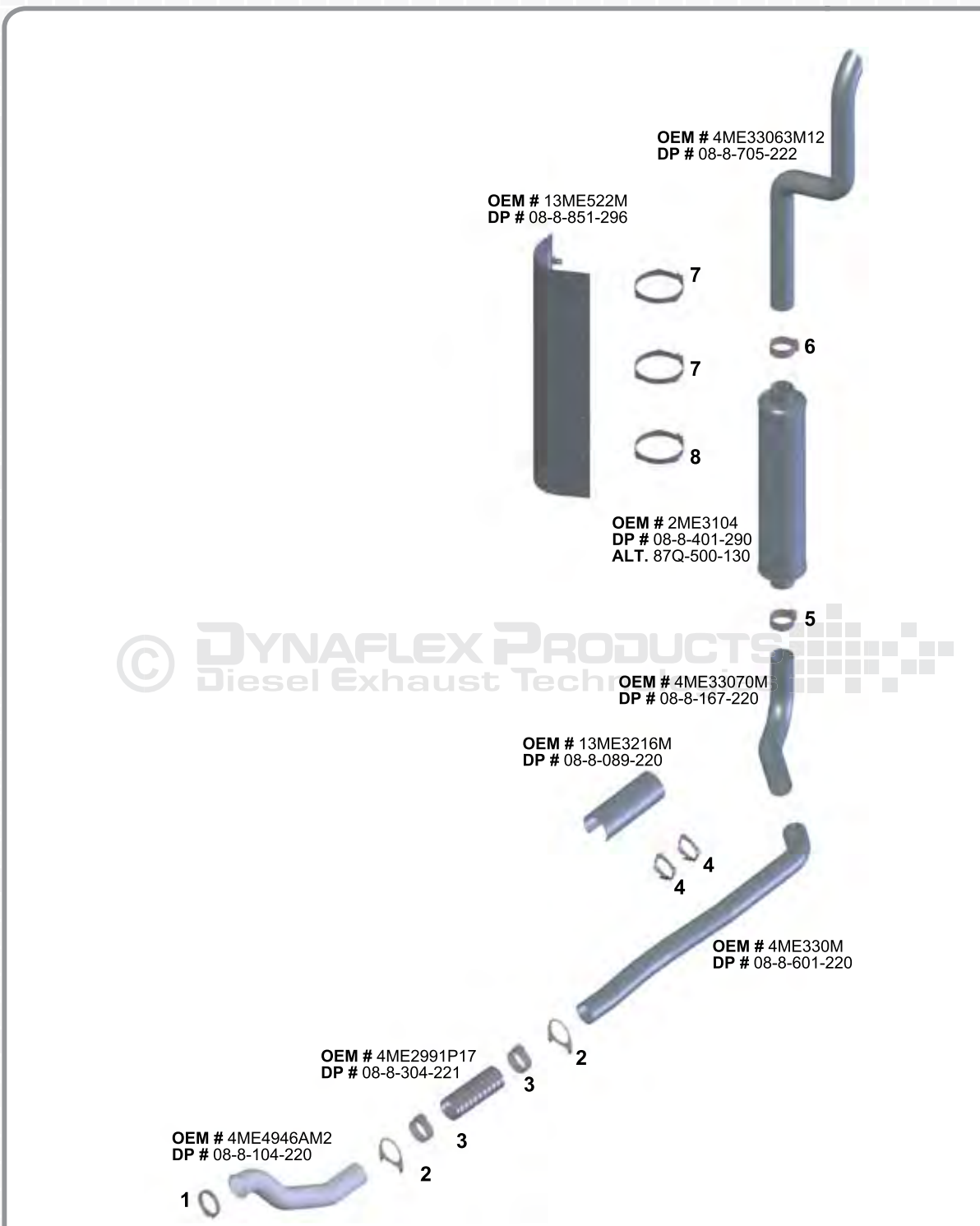
MACK

INTERNATIONAL

STERLING

FORD

HINO



© DYNAFLEX PRODUCTS Diesel Exhaust Technologies

OE NUMBER QUOTED FOR REFERENCE ONLY

1.- OEM # 11ME241
DP # 08-8-001-221

2.- OEM # 83AX840
DP # 08-8-025-225

3.- OEM # 11ME229P3
DP # 08-8-051-220

4.- OEM # 8ME4159M
DP # 08-8-045-220

5.- OEM # 11ME 330M
DP # 08-8-053-220

6.- OEM # 11ME 330M3
DP # 08-8-053-221

7.- OEM # 8ME4175M10
DP # 08-8-044-291

8.- OEM # 8ME4174M10
DP # 08-8-072-291

NOTE: Some of Dynaflex OEM Replacement Parts are Universally sized to accommodate a wide range of application and may not be an exact replica of your OEM part. But they will not effect fit and function, typically this applies to tail pipes and flex units.

FREIGHTLINER

PETERBILT

KENWORTH

WESTERN STAR

VOLVO

MACK

INTERNATIONAL

STERLING

FORD

HINO

MODEL:
460 CX613
DUAL EXHAUST

CLASS:

8

YEAR:

2003

WHEEL BASE:

222

ENGINE SERIAL:

11GB16419Y

ENGINE MAKE:

MACK

MODEL/SERIES:

AL460PASET

LTR:

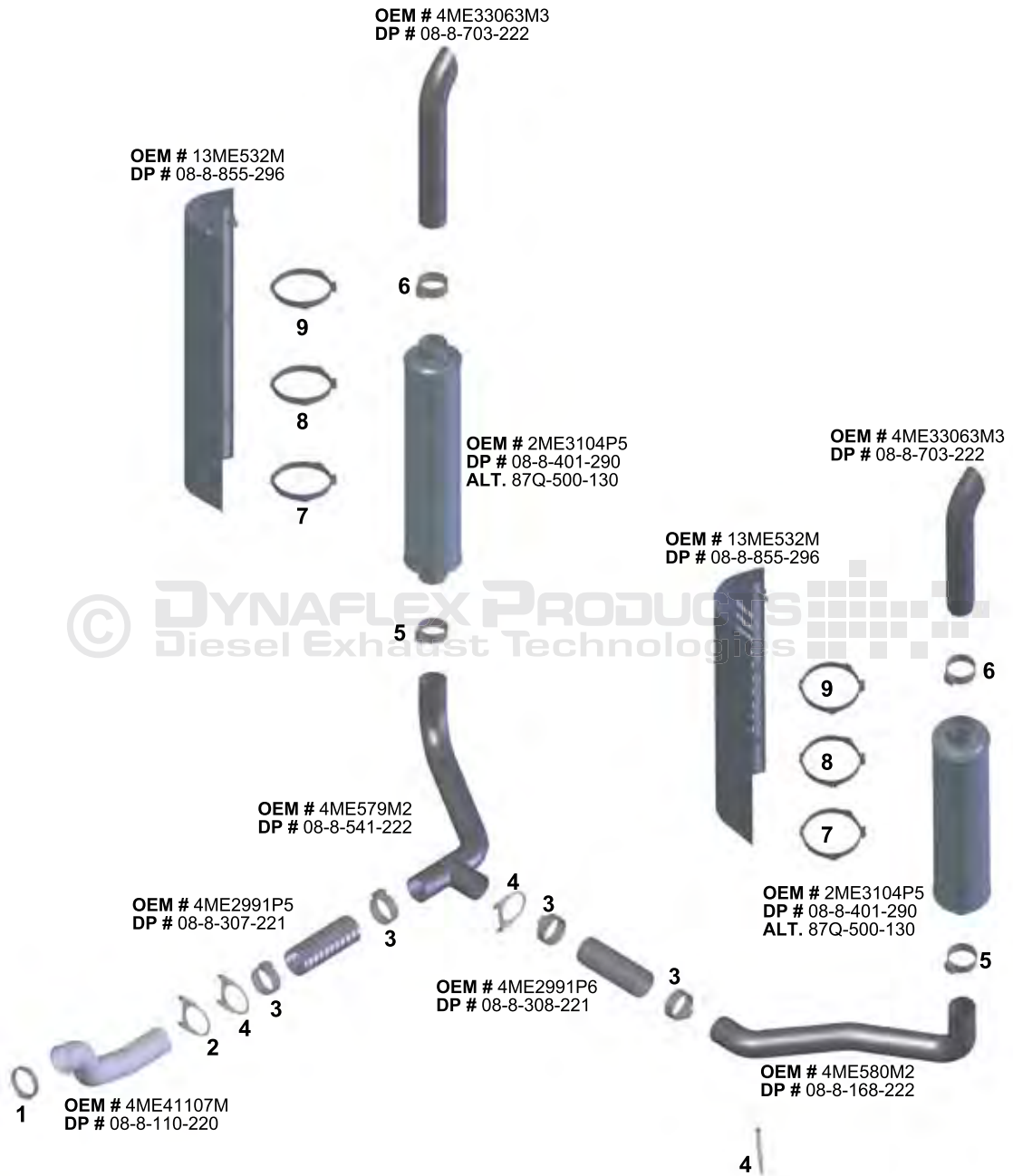
728 CU.IN

HP:

460

WHEEL CONFIG:

4X2



OE NUMBER QUOTED FOR REFERENCE ONLY

- | | | | | |
|--|---|--|---|---|
| 1.- OEM # 11ME241
DP # 08-8-001-221 | 2.- OEM # 48RU3104P4
DP # 08-8-026-225 | 3.- OEM # 11ME229P3
DP # 08-8-051-220 | 4.- OEM # 83AX840
DP # 08-8-025-225 | 5.- OEM # 11ME330M
DP # 08-8-053-220 |
| 6.- OEM # 11M348M
DP # 08-8-052-228 | 7.- OEM # 8ME4174M6
DP # 08-8-074-291 | 8.- OEM # 8ME4174M7
DP # 08-8-077-291 | 9.- OEM # 8ME4175M11
DP # 08-8-084-291 | |

NOTE: Some of Dynaflex OEM Replacement Parts are Universally sized to accommodate a wide range of application and may not be an exact replica of your OEM part. But they will not effect fit and function, typically this applies to tail pipes and flex units.

MODEL:
4700
MEDIUM DUTY TRUCK

CLASS:

6

YEAR:

2000

WHEEL BASE:

218"-553.7cm

ENGINE SERIAL:

001190870

ENGINE MAKE:

INTERNATIONAL

MODEL/SERIES:

DT 466E

LTR:

-

HP:

175

WHEEL CONFIG:

2x2

FREIGHTLINER

PETERBILT

KENWORTH

WESTERN STAR

VOLVO

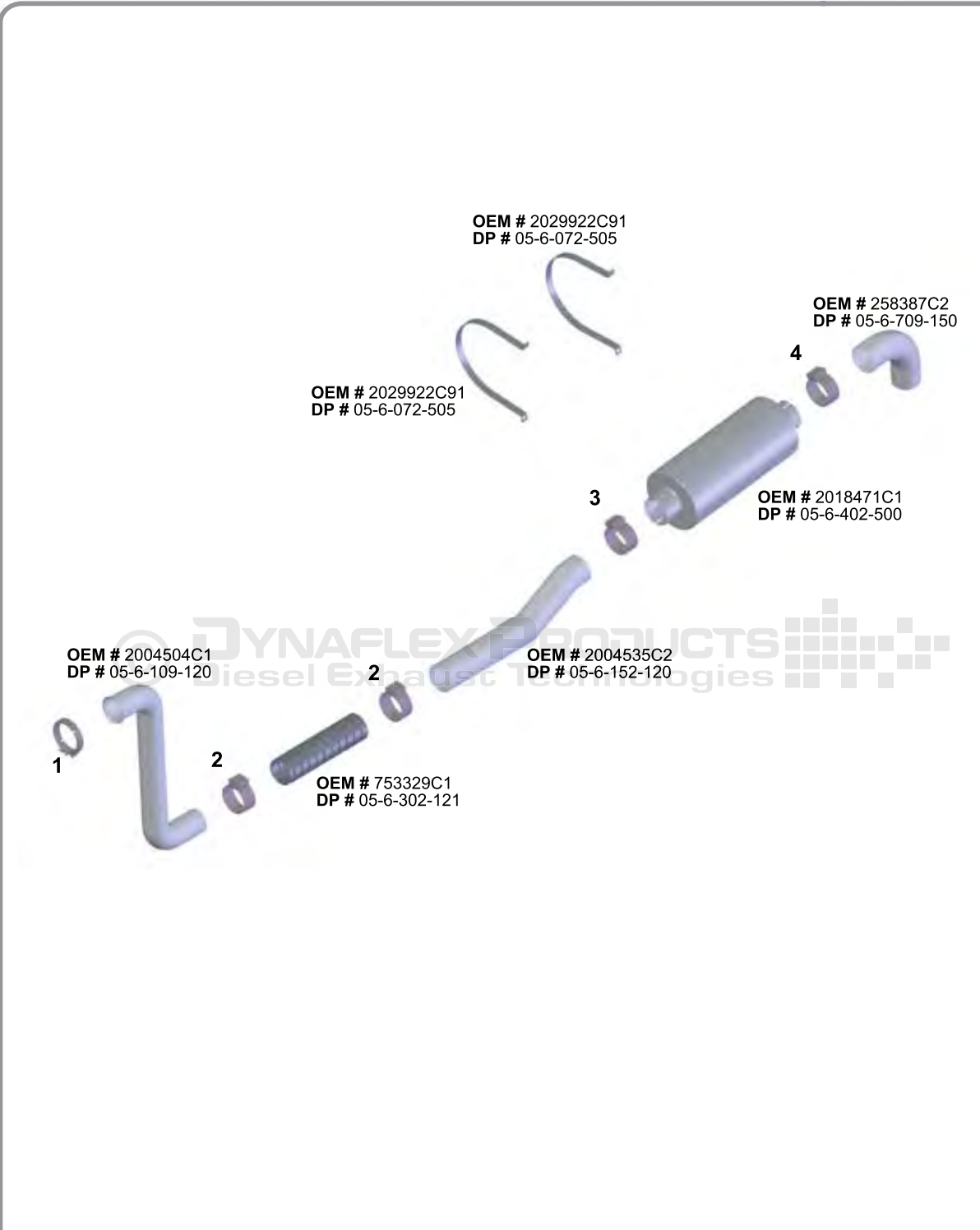
MACK

INTERNATIONAL

STERLING

FORD

HINO



OEM # 2004504C1
DP # 05-6-109-120

OEM # 2029922C91
DP # 05-6-072-505

OEM # 2029922C91
DP # 05-6-072-505

OEM # 258387C2
DP # 05-6-709-150

OEM # 2018471C1
DP # 05-6-402-500

OEM # 2004535C2
DP # 05-6-152-120

OEM # 753329C1
DP # 05-6-302-121

OE NUMBER QUOTED FOR REFERENCE ONLY

1.- OEM # 893944R92
DP # 05-6-003-121

2.- OEM # 583977C91
DP # 05-6-058-120

3.- OEM # 2015640C1
DP # 05-6-059-120

4.- OEM # 2015639C1
DP # 05-6-059-150

NOTE: Some of Dynaflex OEM Replacement Parts are Universally sized to accommodate a wide range of application and may not be an exact replica of your OEM part. But they will not effect fit and function, typically this applies to tail pipes and flex units.

FREIGHTLINER

PETERBILT

KENWORTH

WESTERN STAR

VOLVO

MACK

INTERNATIONAL

STERLING

FORD

HINO

MODEL:
4300 HORIZONTAL
EXHAUST

CLASS:

7

YEAR:

2003

WHEEL BASE:

261.8"

ENGINE SERIAL:

1361200

ENGINE MAKE:

INTERATIONAL

MODEL/SERIES:

DT 466

LTR:

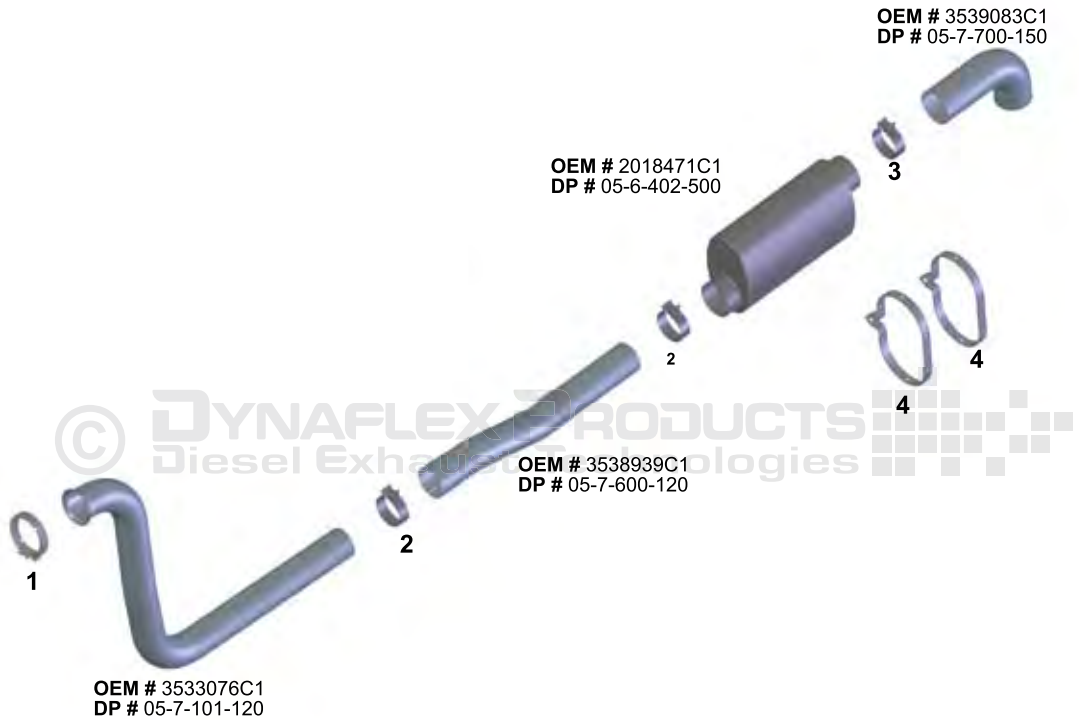
-

HP:

230

WHEEL CONFIG:

2X2



1.- OEM # 3553803C1
DP # 05-6-003-120

2.- OEM # 2015640C1
DP # 05-6-059-120

3.- OEM # 2015639C1
DP # 05-6-059-150

4.- OEM # 2505110C1
DP # 05-7-041-500

NOTE: Some of Dynaflex OEM Replacement Parts are Universally sized to accommodate a wide range of application and may not be an exact replica of your OEM part. But they will not effect fit and function, typically this applies to tail pipes and flex units.

MODEL:
4400
HORIZONTAL EXHAUST

CLASS:

7

YEAR:

2005

WHEEL BASE:

149.6"

ENGINE SERIAL:

2062153

ENGINE MAKE:

INTERNATIONAL

MODEL/SERIES:

DT 466

LTR:

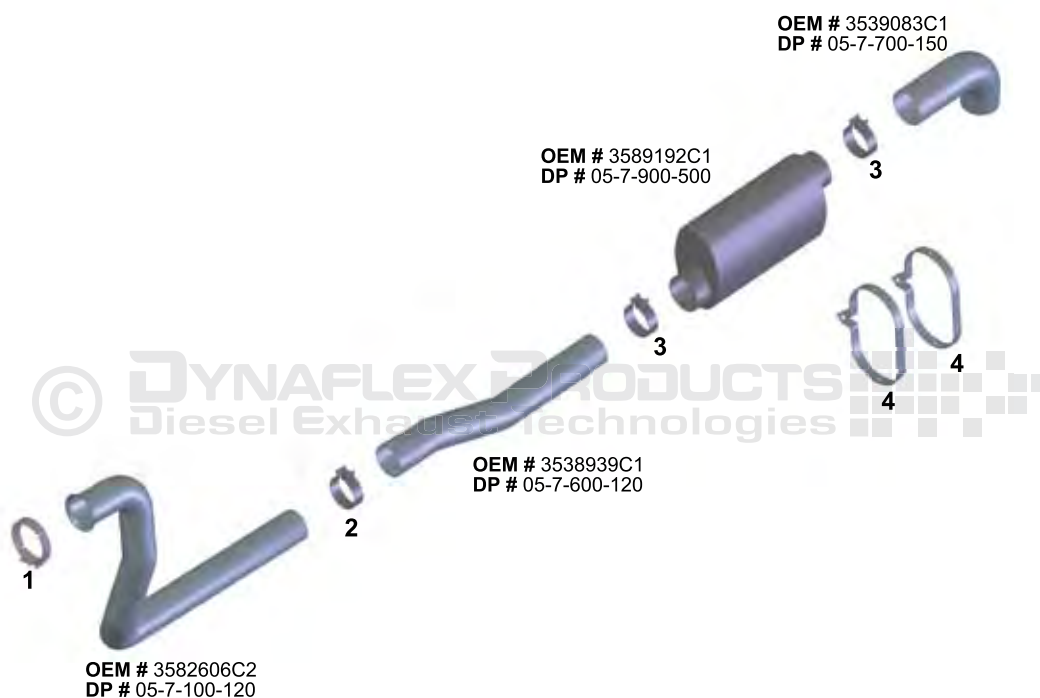
-

HP:

285@2200RPM

WHEEL CONFIG:

2x2



OE NUMBER QUOTED FOR REFERENCE ONLY

1.- OEM # 3553803C2
DP # 05-6-003-121

2.- OEM # 2015640C1
DP # 05-6-059-120

3.- OEM # 2015639C1
DP # 05-6-059-150

4.- OEM # 2507193C1
DP # 05-7-041-501

NOTE: Some of Dynaflex OEM Replacement Parts are Universally sized to accommodate a wide range of application and may not be an exact replica of your OEM part. But they will not effect fit and function, typically this applies to tail pipes and flex units.

FREIGHTLINER

PETERBILT

KENWORTH

WESTERN STAR

VOLVO

MACK

INTERNATIONAL

STERLING

FORD

HINO

FREIGHTLINER

PETERBILT

KENWORTH

WESTERN STAR

VOLVO

MACK

INTERNATIONAL

STERLING

FORD

HINO

MODEL
99001 EAGLE

CLASS:

8

YEAR:

2003

WHEEL BASE:

263.8"/670-0CM

ENGINE SERIAL:

14039339

ENGINE MAKE:

CUMMINS

MODEL/SERIES:

ISX

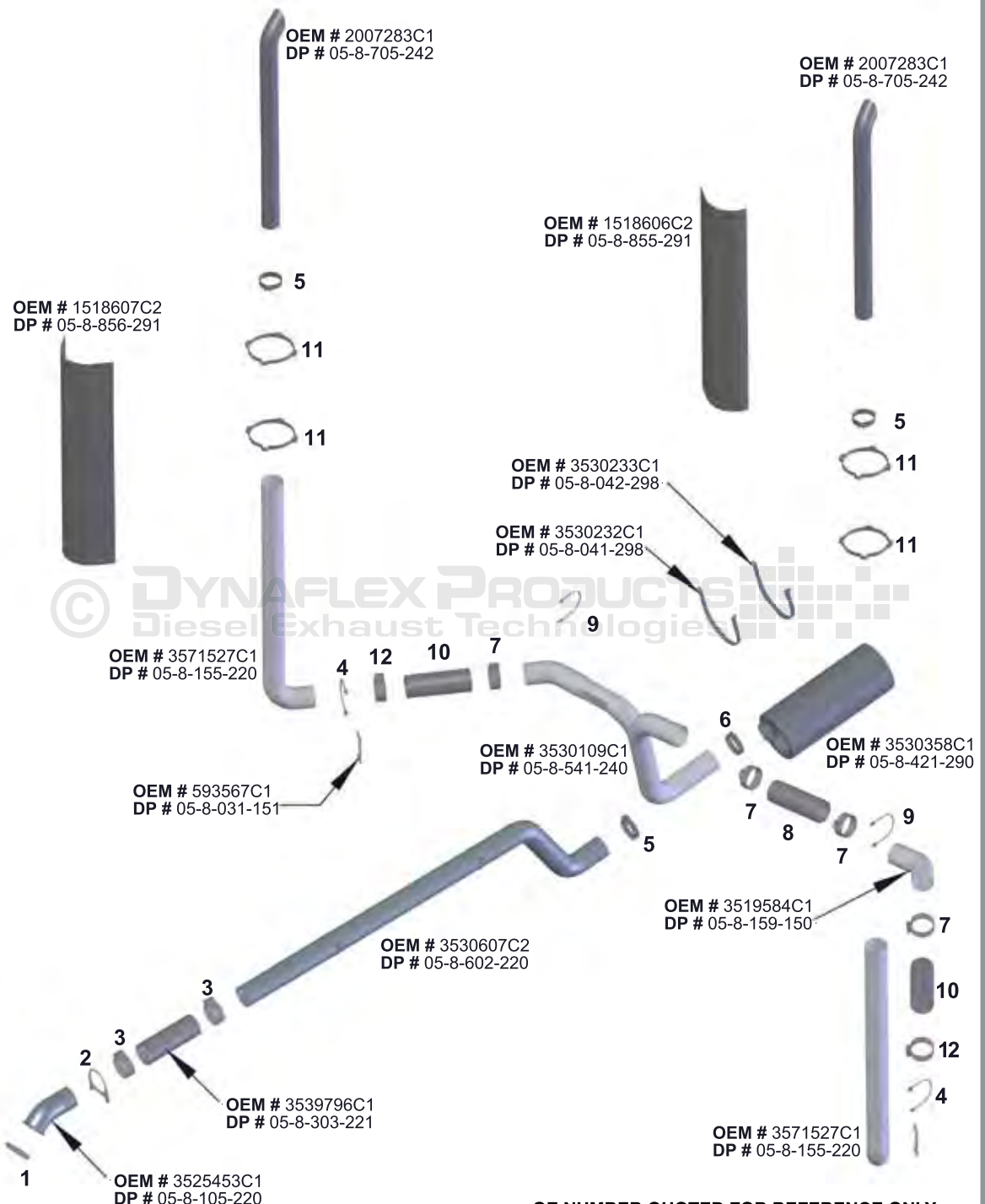
LTR:

12.7L

HP:

600@2000RPM

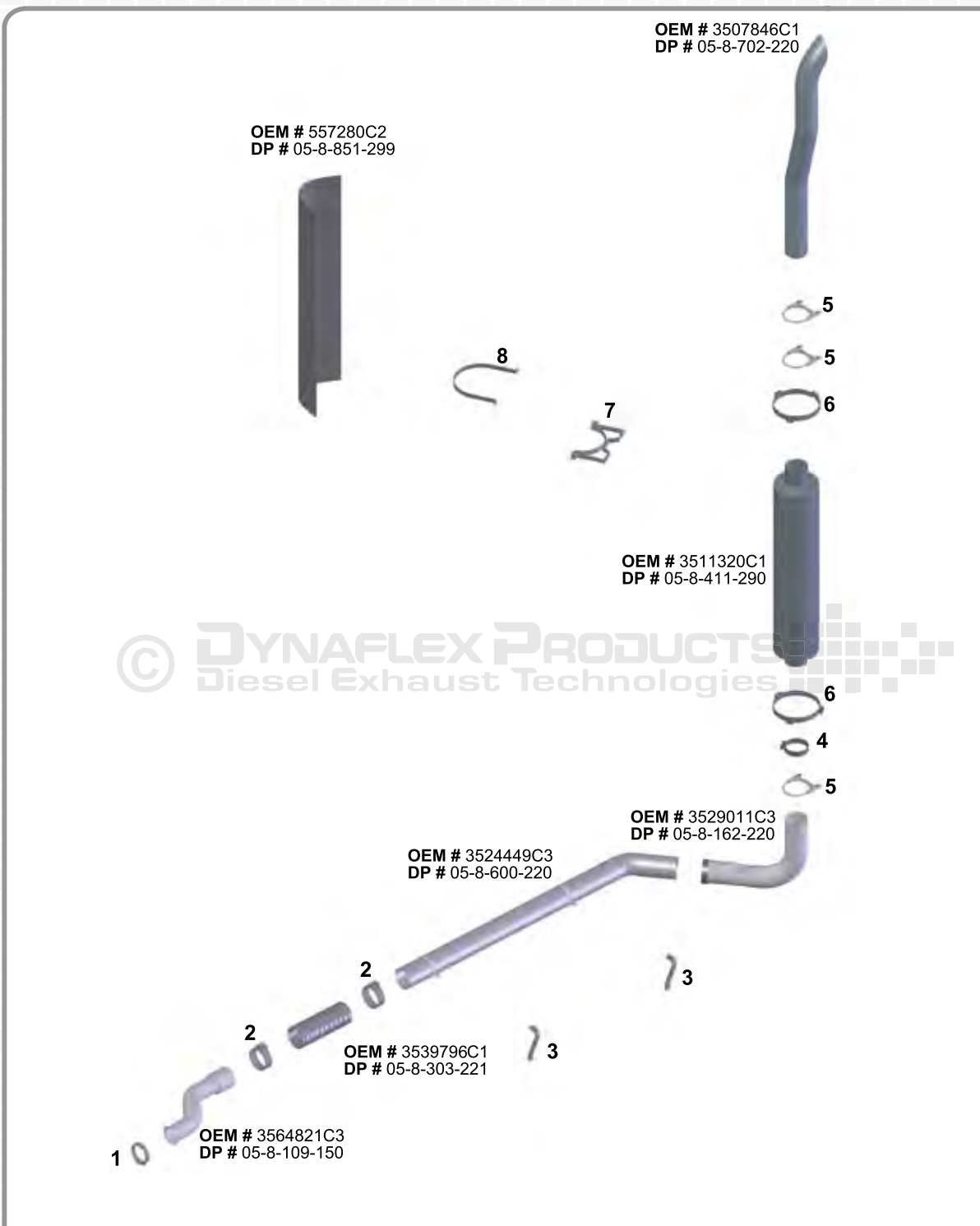
WHEEL CONFIG:



OE NUMBER QUOTED FOR REFERENCE ONLY

- | | | | |
|---|--|---|---|
| 1.- OEM # 1672105C91
DP # 05-8-002-221 | 2.- OEM # 554319C1
DP # 05-8-030-220 | 3.- OEM # 583979C91
DP # 05-8-052-220 | 4.- OEM # 593568C1
DP # 05-8-029-151 |
| 5.- OEM # 2004456C1
DP # 05-8-055-220 | 6.-OEM # 3530379C1
DP # 05-8-055-240 | 7.-OEM # 583978C91
DP # 05-8-051-150 | 8.-OEM # 300875C1
DP # 05-8-301-151 |
| 9.-OEM # 593566C1
DP # 05-8-027-155 | 10.- OEM # 895339R1
DP # 05-8-307-151 | 11.- OEM # 1518563C1
DP # 05-8-071-255 | 12.- OEM # 583980C91
DP # 05-8-051-151 |

NOTE: Some of Dynaflex OEM Replacement Parts are Universally sized to accommodate a wide range of application and may not be an exact replica of your OEM part. But they will not effect fit and function, typically this applies to tail pipes and flex units.



© DYNAFLEX PRODUCTS Diesel Exhaust Technologies

MODEL:
9400i
SINGLE EXHAUST

CLASS:
8

YEAR:
2004

WHEEL BASE:
230.7"

ENGINE SERIAL:
79078959

ENGINE MAKE:
CUMMINS

MODEL/SERIES:
ISX

LTR:
-

HP:
425

WHEEL CONFIG:
4x2

- FREIGHTLINER
- PETERBILT
- KENWORTH
- WESTERN STAR
- VOLVO
- MACK
- INTERNATIONAL
- STERLING
- FORD
- HINO

OE NUMBER QUOTED FOR REFERENCE ONLY

- | | | | |
|--|--|--|--|
| 1.- OEM # 893945R92
DP # 05-8-001-151 | 2.- OEM # 583979C91
DP # 05-8-052-220 | 3.- OEM # 3524401C1
DP # 05-8-043-008 | 4.- OEM # 2004456C1
DP # 05-8-055-220 |
| 5.- OEM # 598601C1
DP # 05-8-027-222 | 6.- OEM # 2000224C1
DP # 05-8-072-290 | 7.- OEM # 503308C1
DP # 05-8-076-295 | 8.- OEM # 503310C1
DP # 05-8-075-295 |

NOTE: Some of Dynaflex OEM Replacement Parts are Universally sized to accommodate a wide range of application and may not be an exact replica of your OEM part. But they will not effect fit and function, typically this applies to tail pipes and flex units.

FREIGHTLINER

PETERBILT

KENWORTH

WESTERN STAR

VOLVO

MACK

INTERNATIONAL

STERLING

FORD

HINO

MODEL:
9200i PROSLEEP
SINGLE EXHAUST

CLASS:

8

YEAR:

2000

WHEEL BASE:

222.4"

ENGINE SERIAL:

12022468

ENGINE MAKE:

CUMMINS

MODEL/SERIES:

N14

LTR:

.

HP:

370

WHEEL CONFIG:

4X2

OEM # 557280C2
DP # 05-8-851-299



8

8

OEM # 3507846C1
DP # 05-8-702-220



5

5

6

7

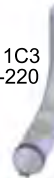
OEM # 3511320C1
DP # 05-8-411-290



4

5

OEM # 3529011C3
DP # 05-8-162-220



OEM # 3524868C2
DP # 05-8-603-220



3

OEM # 1517112C1
DP # 05-8-041-000



2

2

OEM # 3539796C1
DP # 05-8-303-221

1

OEM # 3523689C1
DP # 05-8-103-220

3

1.- OEM # 1672105C91
DP # 05-8-002-221

2.- OEM # 583979C91
DP # 05-8-052-220

3.- OEM # 3524401C1
DP # 05-8-043-008

4.- OEM # 2004456C1
DP # 05-8-055-220

5.- OEM # 554319C1
DP # 05-8-030-220

6.- OEM # 503310C1
DP # 05-8-075-295

7.- OEM # 503308C1
DP # 05-8-076-295

8.- OEM # 2000224C1
DP # 05-8-072-290

NOTE: Some of Dynaflex OEM Replacement Parts are Universally sized to accommodate a wide range of application and may not be an exact replica of your OEM part. But they will not effect fit and function, typically this applies to tail pipes and flex units.

FREIGHTLINER

PETERBILT

KENWORTH

WESTERN STAR

VOLVO

MACK

INTERNATIONAL

STERLING

FORD

HINO

MODEL:
DAY CAB 9100I
SINGLE EXHAUST

CLASS:

8

YEAR:

2000

WHEEL BASE:

161.4"

ENGINE SERIAL:

11997044

ENGINE MAKE:

CUMMINS

MODEL/SERIES:

N14

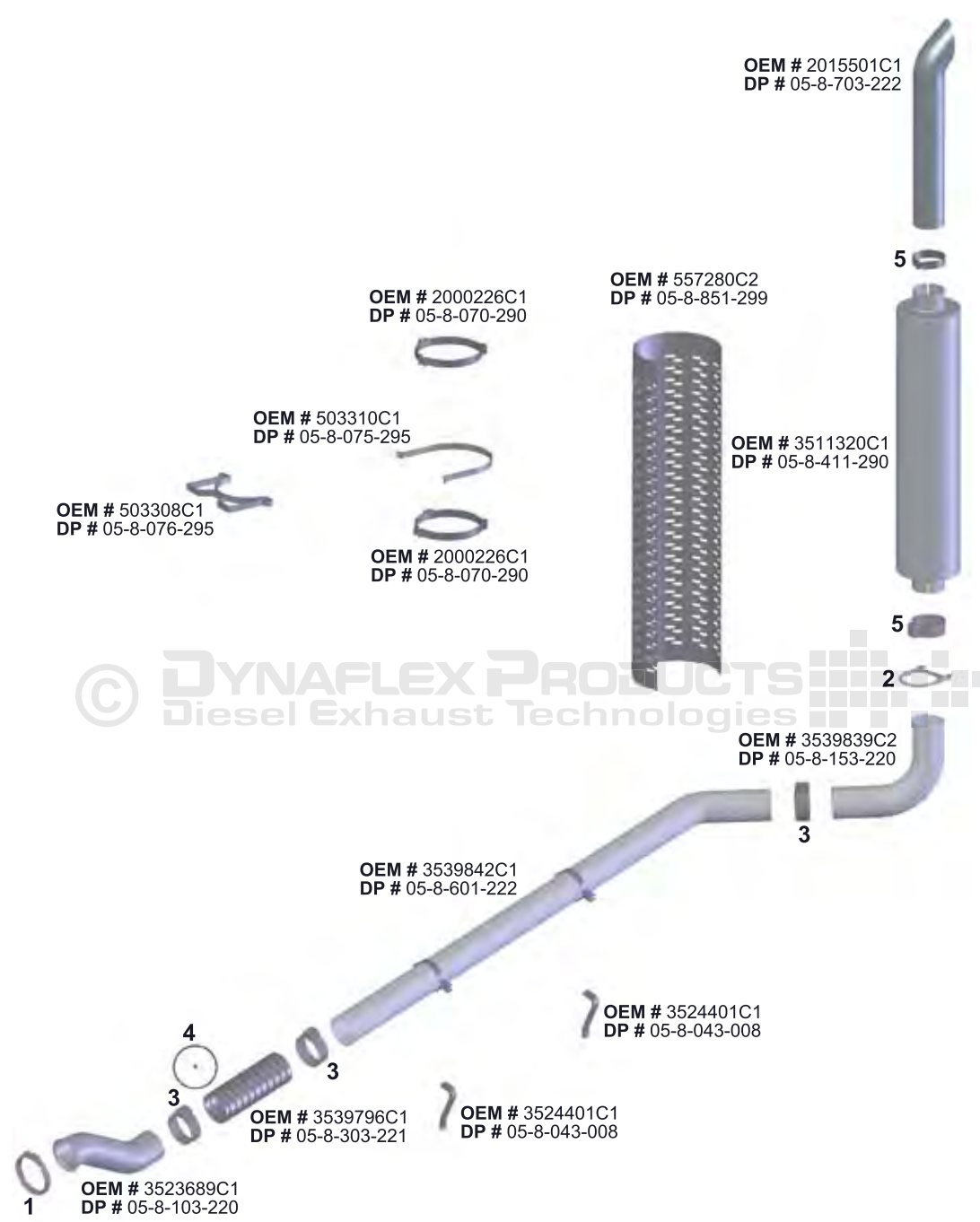
LTR:

-

HP:

370

WHEEL CONFIG:



OE NUMBER QUOTED FOR REFERENCE ONLY

- 1.- OEM # 1672105C91
DP # 05-8-002-221
- 2.- OEM # 554319C1
DP # 05-8-030-220
- 3.- OEM # 583979C91
DP # 05-8-052-220
- 4.- OEM # 1517112C1
DP # 05-8-041-000
- 5.- OEM # 2004456C1
DP # 05-8-055-220

NOTE: Some of Dynaflex OEM Replacement Parts are Universally sized to accommodate a wide range of application and may not be an exact replica of your OEM part. But they will not effect fit and function, typically this applies to tail pipes and flex units.

FREIGHTLINER

PETERBILT

KENWORTH

WESTERN STAR

VOLVO

MACK

INTERNATIONAL

STERLING

FORD

HINO

MODEL:
8100 DAY CAB

CLASS:

8

YEAR:

1997

WHEEL BASE:

148"
375.9cm

ENGINE SERIAL:

34878411

ENGINE MAKE:

CUMMINS

MOBEL/SERIES:

M11330E

LTR:

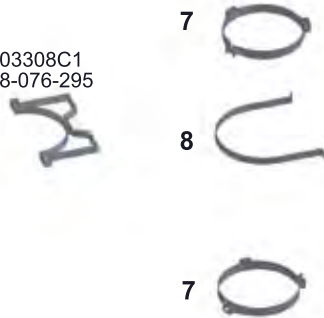
--

HP:

330

WHEEL CONFIG:

OEM # 503308C1
DP # 05-8-076-295



OEM # 557280C2
DP # 05-8-851-299



OEM # 1673750C1
DP # 05-8-701-220



OEM # 1518317C1
DP # 05-8-401-290
ALT. 87Q-4050-205



OEM # 2035532C2
DP # 05-8-151-150

OEM # XH4125S
DP # 05-8-301-151

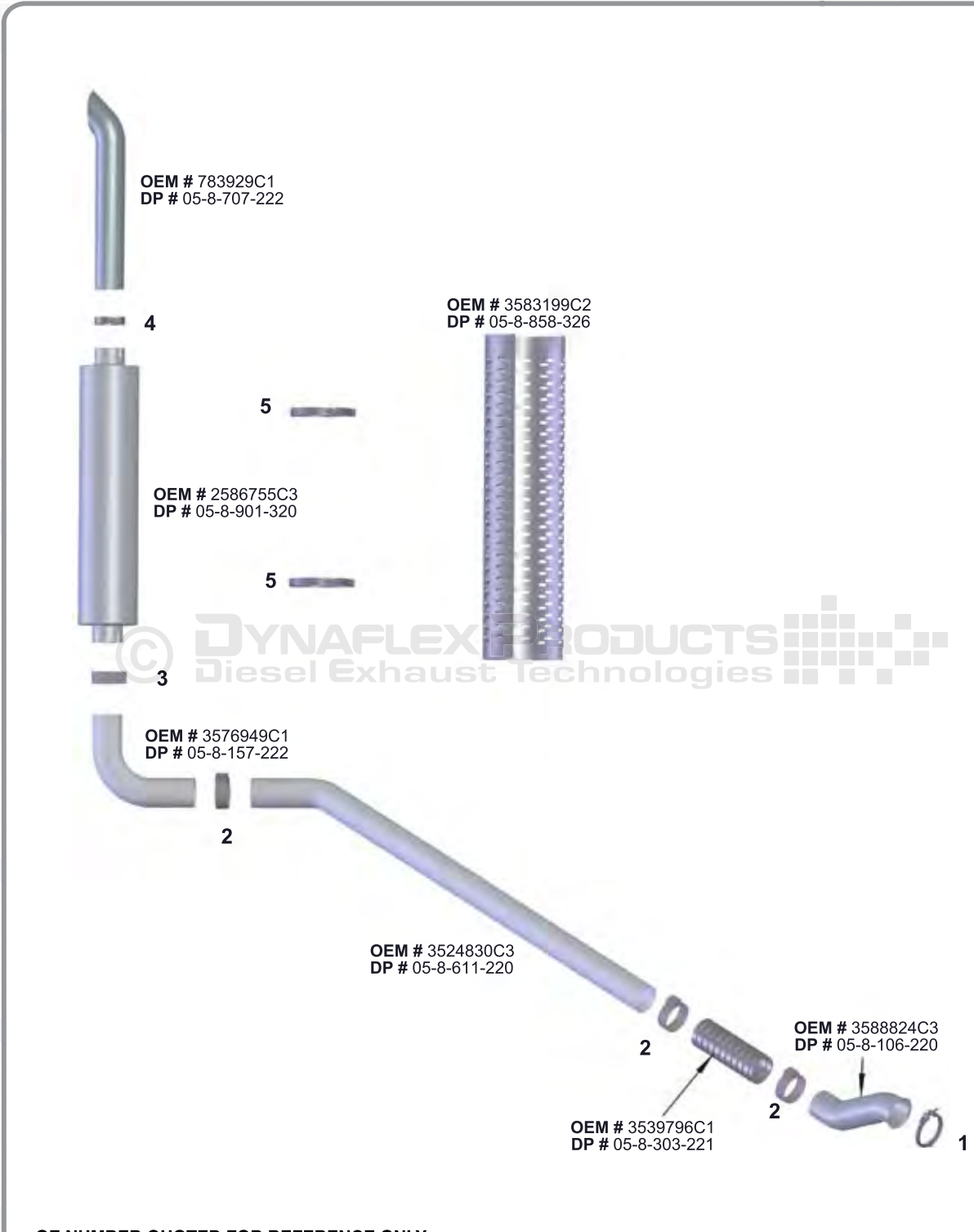


OEM # 2039787C1
DP # 05-8-101-150

OE NUMBER QUOTED FOR REFERENCE ONLY

- | | | | |
|--|---|--|---|
| 1.- OEM # 3586939C1
DP # 05-8-002-221 | 2.- OEM # 282400C1
DP # 05-8-025-158 | 3.- OEM # EC40PLA
DP # 05-8-051-150 | 4.- OEM # 596485C1
DP # 05-8-049-008 |
| 5.- OEM # 554318C1
DP # 05-8-030-150 | 6.- OEM # EC50AEA
DP # 05-8-055-220 | 7.- OEM # 2000226C1
DP # 05-8-070-290 | 8.- OEM # 503310C1
DP # 05-8-075-295 |

NOTE: Some of Dynaflex OEM Replacement Parts are Universally sized to accommodate a wide range of application and may not be an exact replica of your OEM part. But they will not effect fit and function, typically this applies to tail pipes and flex units.



MODEL:
EAGLE 94001
SINGLE EXHAUST

CLASS:

8

YEAR:

2004

WHEEL BASE:

230.3"

ENGINE SERIAL:

BX534801

ENGINE MAKE:

CAT

MODEL/SERIES:

C15

LTR:

15.2

HP:

475

WHEEL CONFIG:

FREIGHTLINER

PETERBILT

KENWORTH

WESTERN STAR

VOLVO

MACK

INTERNATIONAL

STERLING

FORD

HINO

OE NUMBER QUOTED FOR REFERENCE ONLY

1.- OEM # 3586939C1
DP # 05-8-002-221

2.-OEM # 583979C91
DP # 05-8-052-220

3.- OEM # 2004456C1
DP # 05-8-055-220

4.- OEM # 3571664C1
DP # 05-8-057-220

5.- OEM # 3576946C1
DP # 05-8-077-320

NOTE: Some of Dynaflex OEM Replacement Parts are Universally sized to accommodate a wide range of application and may not be an exact replica of your OEM part. But they will not effect fit and function, typically this applies to tail pipes and flex units.

FREIGHTLINER

PETERBILT

KENWORTH

WESTERN STAR

VOLVO

MACK

INTERNATIONAL

STERLING

FORD

HINO

MODEL:

9400i
SINGLE EXHAUST

CLASS:

8

YEAR:

2005

WHEEL BASE:

230.3

ENGINE SERIAL:

79053853

ENGINE MAKE:

CUMMINS

MODEL/SERIES:

ISX

LTR:

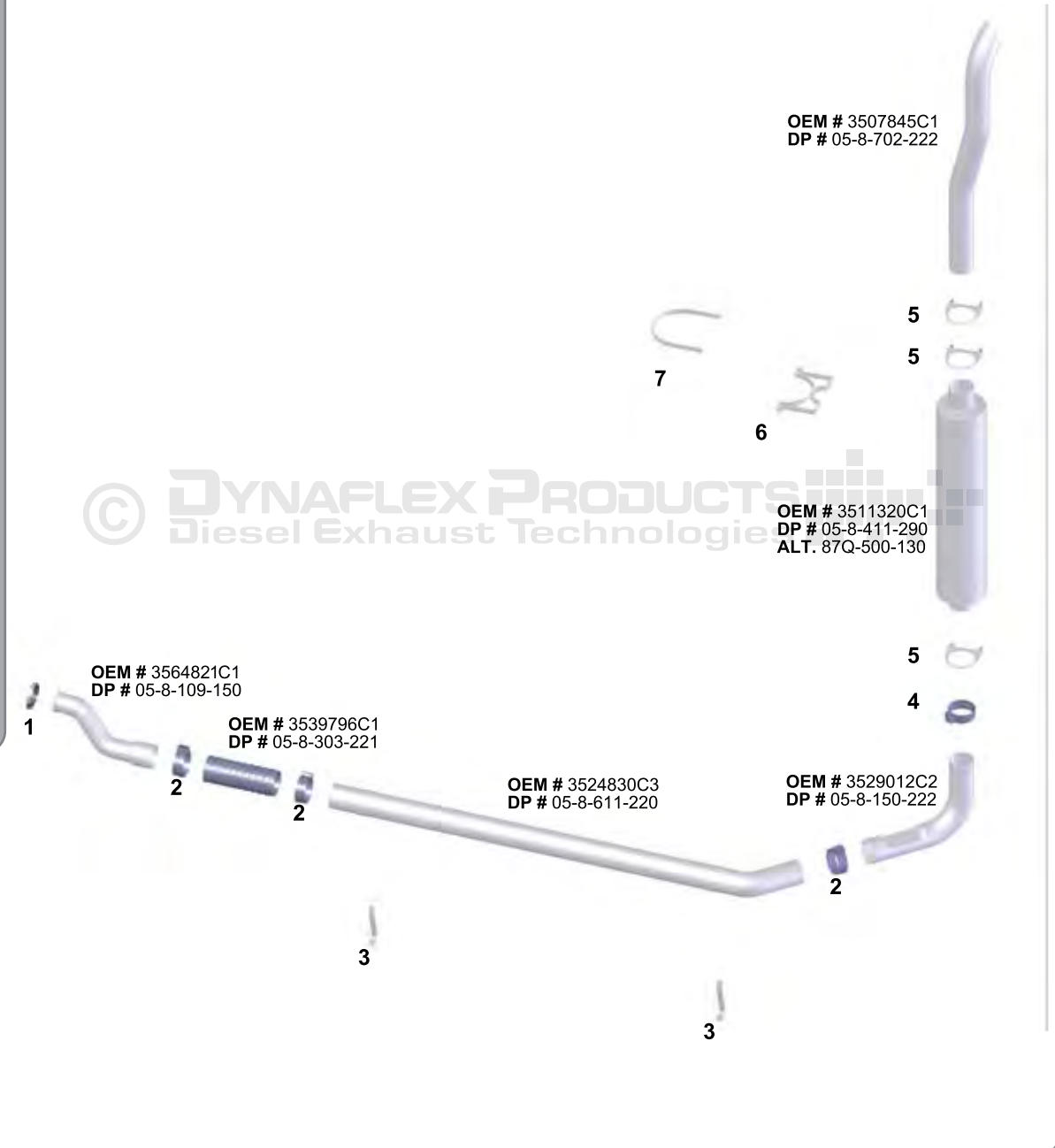
15 CU. IN

HP:

450-465

WHEEL CONFIG:

4X2



OEM # 3564821C1
DP # 05-8-109-150

OEM # 3539796C1
DP # 05-8-303-221

OEM # 3524830C3
DP # 05-8-611-220

OEM # 3507845C1
DP # 05-8-702-222

OEM # 3511320C1
DP # 05-8-411-290
ALT. 87Q-500-130

OEM # 3529012C2
DP # 05-8-150-222

1.- OEM # 893945R92
DP # 05-8-001-151

2.- OEM # 3538040C1
DP # 05-8-052-220

3.- OEM # 3524401C1
DP # 05-8-043-008

4.- OEM # ECA50AF
DP # 05-8-055-220

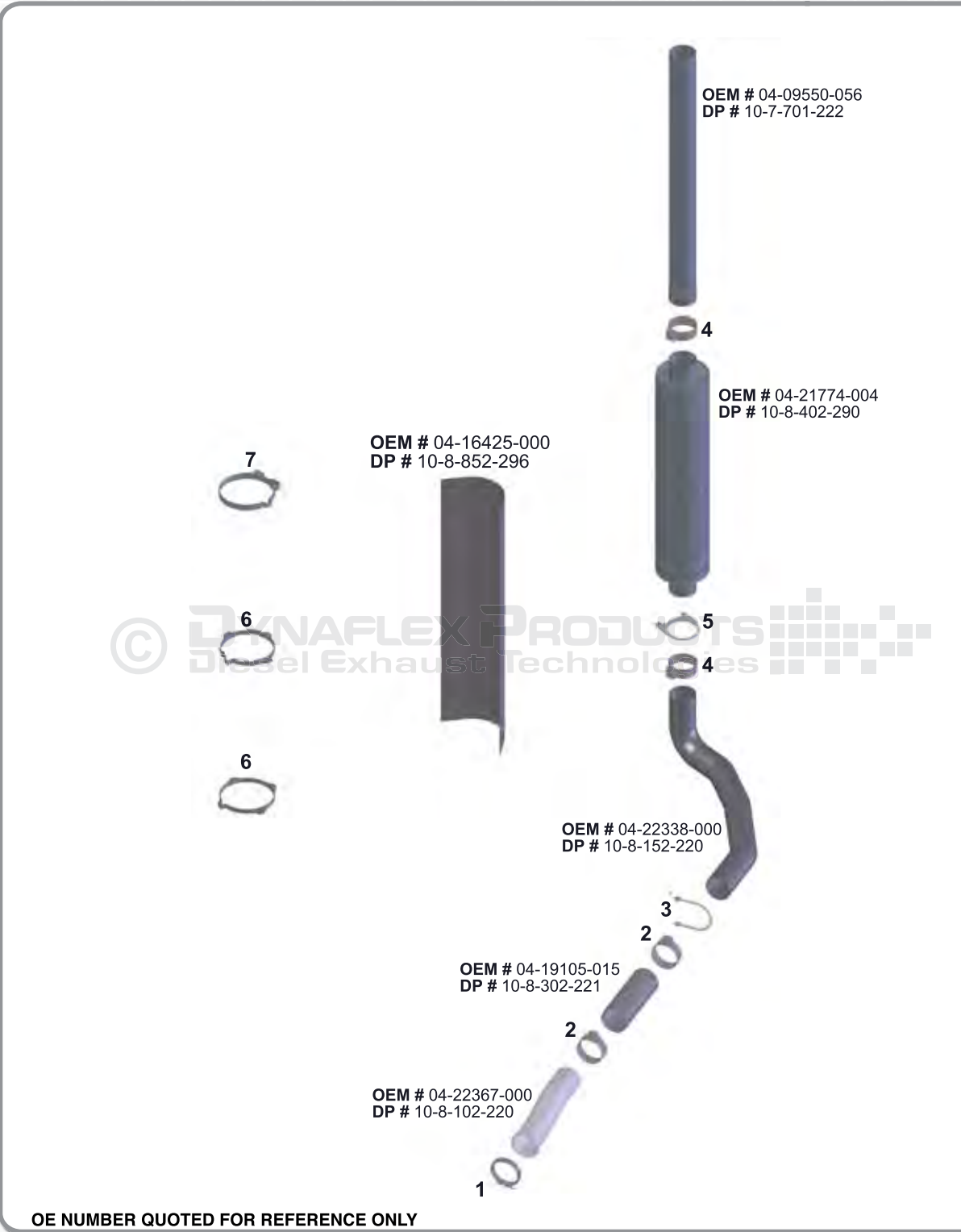
5.- OEM # 598601C1
DP # 05-8-027-222

6.- OEM # 503308C1
DP # 05-8-076-295

7.- OEM # 503310C1
DP # 05-8-075-295

NOTE: Some of Dynaflex OEM Replacement Parts are Universally sized to accommodate a wide range of application and may not be an exact replica of your OEM part. But they will not effect fit and function, typically this applies to tail pipes and flex units.

MODEL: A 9500 DAY CAB SINGLE EXHAUST	FREIGHTLINER
CLASS: 8	PETERBILT
YEAR: 2004	KENWORTH
WHEEL BASE: 150"	WESTERN STAR
ENGINE SERIAL: 0460775784	VOLVO
ENGINE MAKE: MERCEDES BENZ	MACK
MODEL/SERIES: 460 CFE 3126/936	INTERNATIONAL
LTR: 15.2	STERLING
HP: 350	FORD
WHEEL CONFIG: 2x2	HINO



OE NUMBER QUOTED FOR REFERENCE ONLY

- | | | | |
|--|--|--|---|
| 1.) OEM # 01-14596-008
DP # 10-8-001-221 | 2.) OEM # 04-21778-000
DP # 10-8-051-221 | 3.) OEM # 23-09459-005
DP # 10-8-025-225 | 4.) OEM # N35-04-20289-000
DP # 10-8-052-220 |
| 5.) OEM # A04-09364-000
DP # 10-8-026-225 | 6.) OEM # A04-12111-001
DP # 10-8-074-291 | 7.) OEM # 681-490-00-42
DP # 10-8-076-295 | |

NOTE: Some of Dynaflex OEM Replacement Parts are Universally sized to accommodate a wide range of application and may not be an exact replica of your OEM part. But they will not effect fit and function, typically this applies to tail pipes and flex units.

FREIGHTLINER

PETERBILT

KENWORTH

WESTERN STAR

VOLVO

MACK

INTERNATIONAL

STERLING

FORD

HINO

MODEL:
9500 DAY CAB
SINGLE EXHAUST MUFFLER

CLASS:

8

YEAR:

2004

WHEEL BASE:

166

ENGINE SERIAL:

MBL15029

ENGINE MAKE:

CAT

MODEL/SERIES:

C12

LTR:

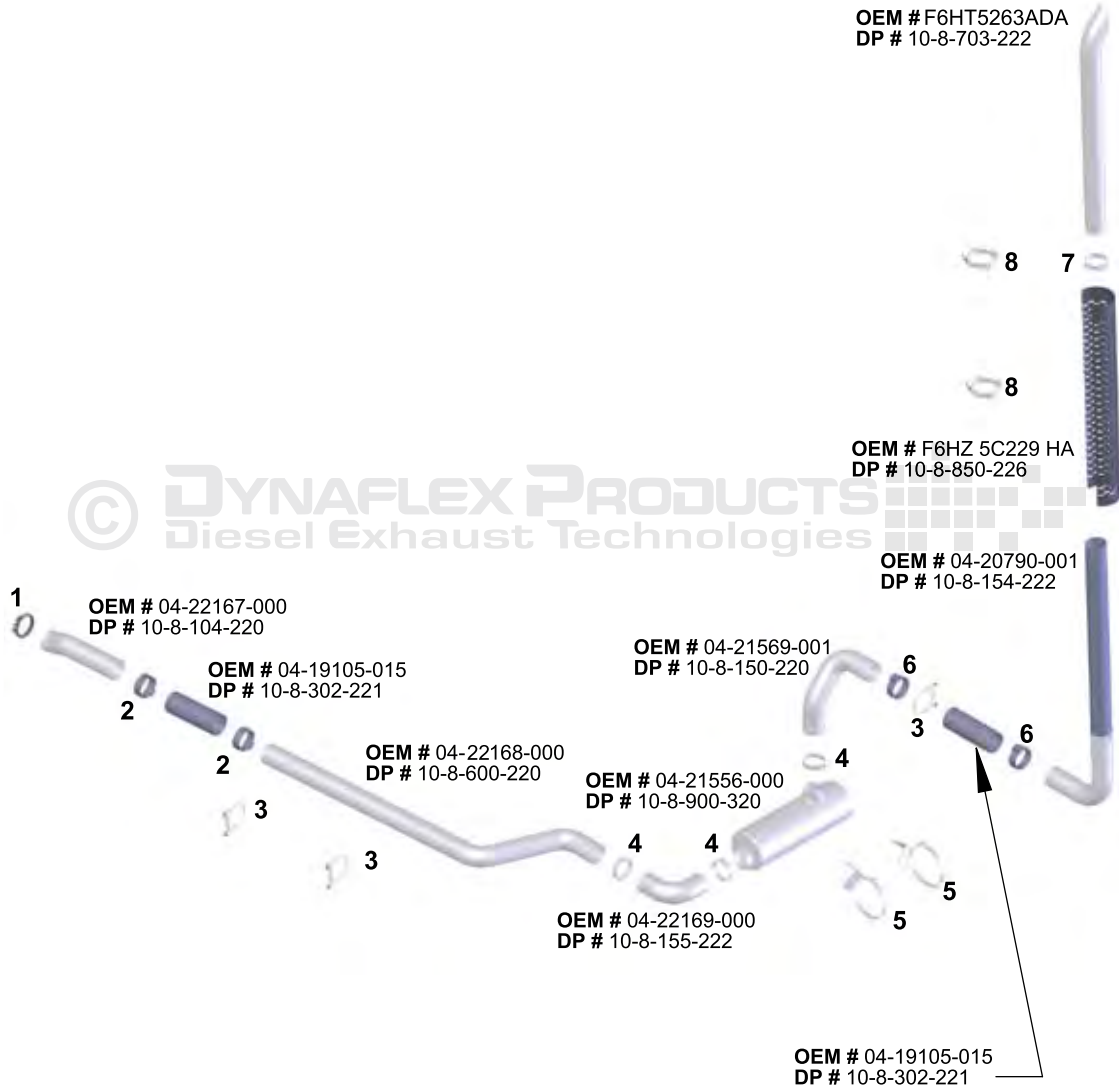
-

HP:

425

WHEEL CONFIG:

4X2



OE NUMBER QUOTED FOR REFERENCE ONLY

- | | | | |
|--|---|---|--|
| 1.- OEM # 01-14596-000
DP # 10-8-003-221 | 2.- OEM # 04-21778-000
DP # 10-8-051-221 | 3.- OEM # 04-09364-000
DP # 10-8-026-225 | 4.- OEM # TCP-A50AFE
DP # 10-8-055-220 |
| 5.- OEM # A04-22177-000
DP # 10-8-041-325 | 6.- OEM # 04-21778-002
DP # 10-8-051-226 | 7.- OEM # E1HZ 5A231 H
DP # 10-8-054-221 | 8.- OEM # F7HZ 5C264 MA
DP # 10-8-077-221 |

NOTE: Some of Dynaflex OEM Replacement Parts are Universally sized to accommodate a wide range of application and may not be an exact replica of your OEM part. But they will not effect fit and function, typically this applies to tail pipes and flex units.

FREIGHTLINER

PETERBILT

KENWORTH

WESTERN STAR

VOLVO

MACK

INTERNATIONAL

STERLING

FORD

HINO

MODEL:
AT9500 DAY
SINGLE EXHAUST

CLASS:

8

YEAR:

2003

WHEEL BASE:

172"

ENGINE SERIAL:

350 67714

ENGINE MAKE:

CUMMINS ISM

MODEL/SERIES:

ISM380

LTR:

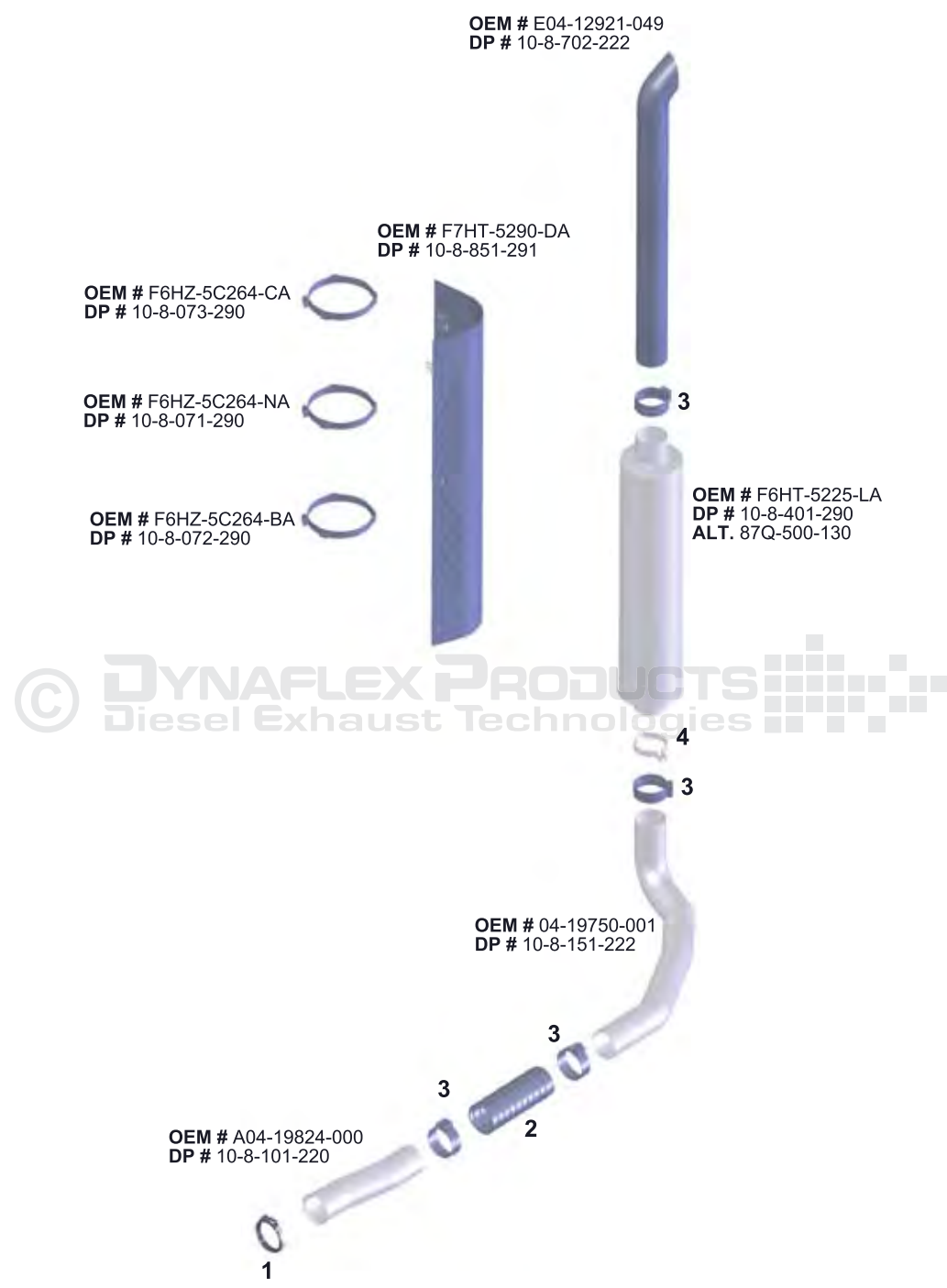
11.0 LITERS

HP:

380

WHEEL CONFIG:

4x2



OE NUMBER QUOTED FOR REFERENCE ONLY

- 1.-OEM # XC45-5A281-BA
DP # 10-8-001-221
- 2.-OEM # 04-19105-012
DP # 10-8-301-221
- 3.-OEM # 04-21778-000
DP # 10-8-051-221
- 4.-OEM # DE8HZ-5A231C
DP # 10-8-075-222

NOTE: Some of Dynaflex OEM Replacement Parts are Universally sized to accommodate a wide range of application and may not be an exact replica of your OEM part. But they will not effect fit and function, typically this applies to tail pipes and flex units.

FREIGHTLINER

PETERBILT

KENWORTH

WESTERN STAR

VOLVO

MACK

INTERNATIONAL

STERLING

FORD

HINO

MODEL:
LT 8500

CLASS:

8

YEAR:

2004

WHEEL BASE:

250"

ENGINE SERIAL:

KAL4876

ENGINE MAKE:

CAT

MODEL/SERIES:

C7

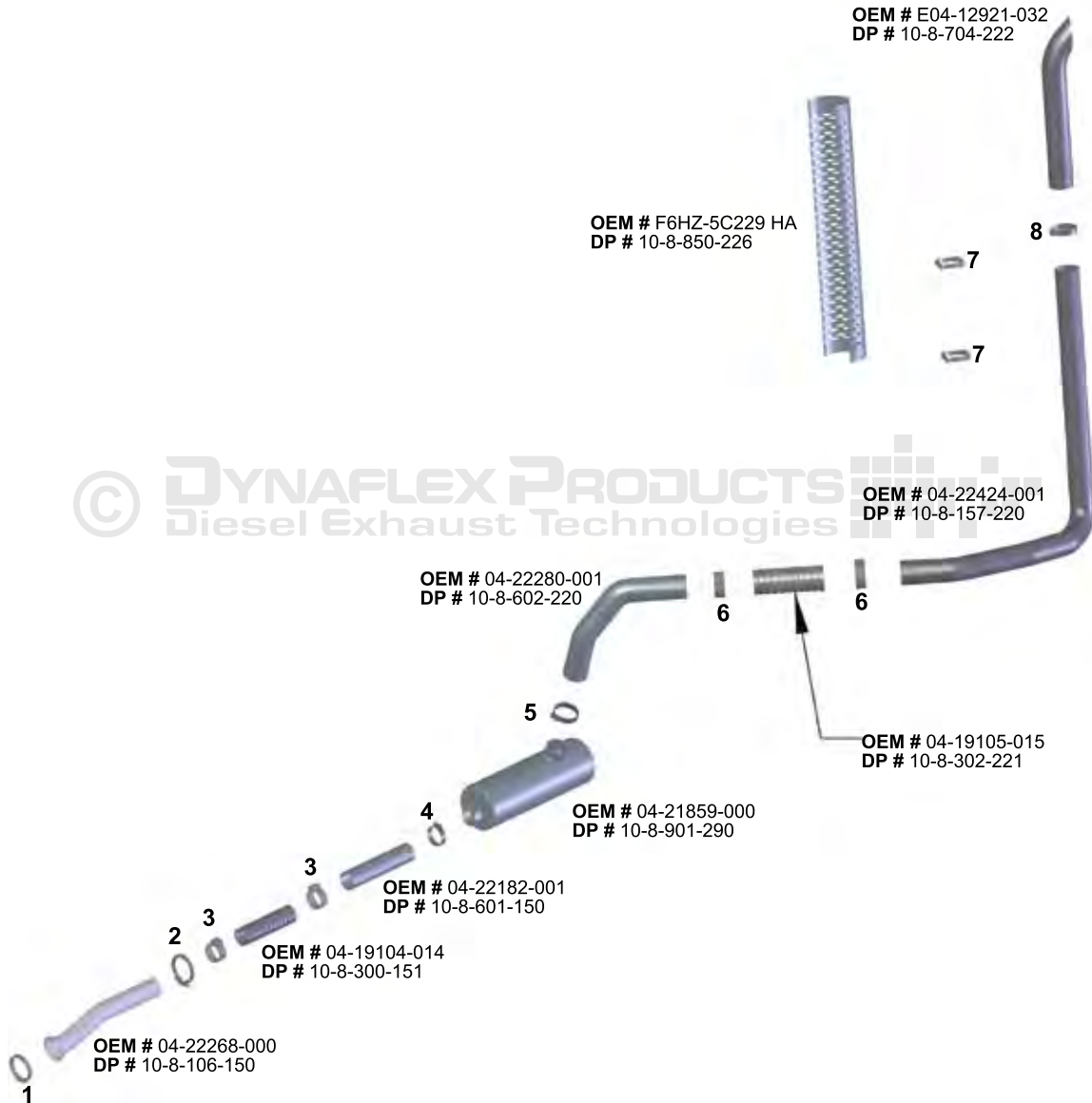
LTR:

7.2

HP:

300

WHEEL CONFIG:

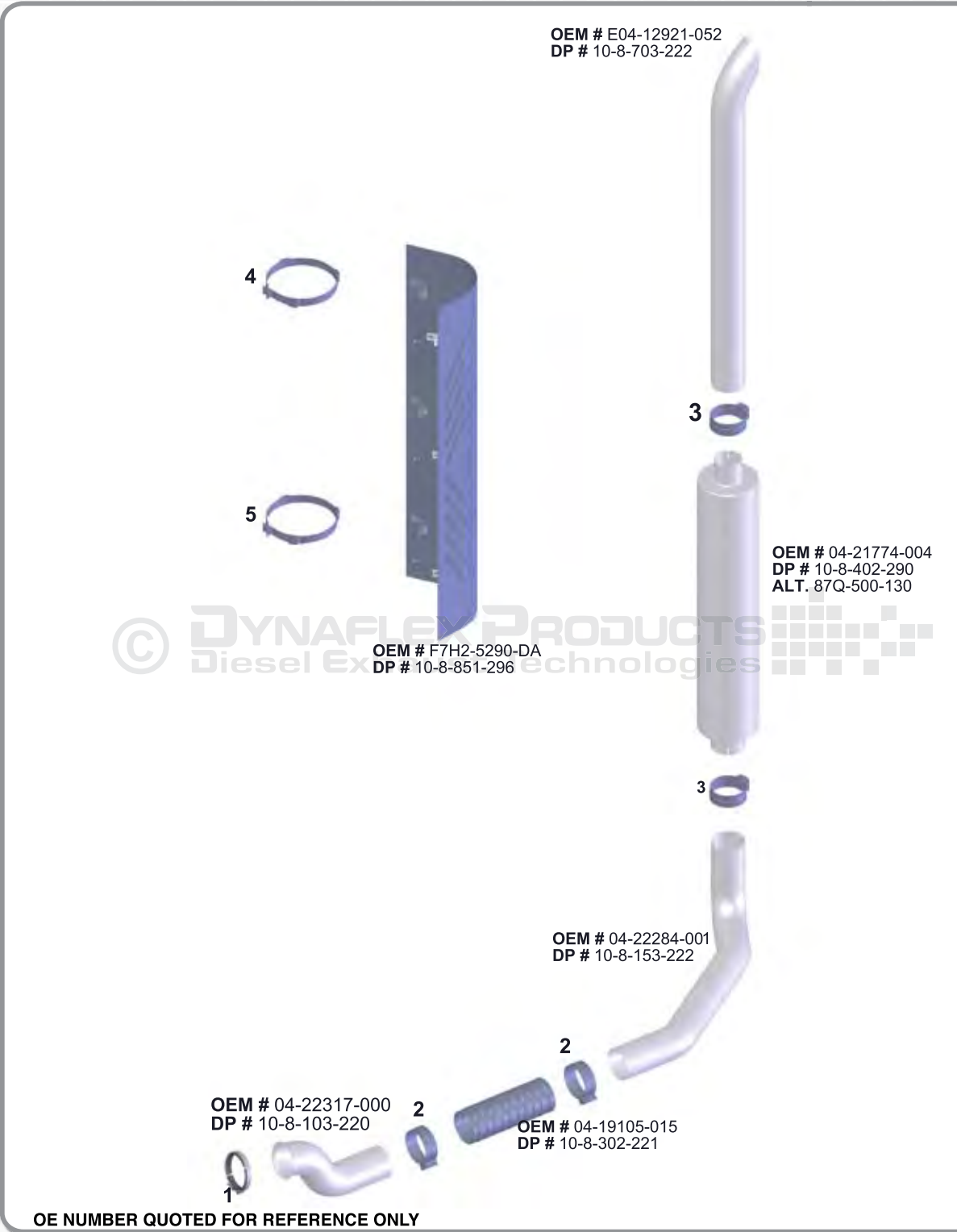


© DYNAFLEX PRODUCTS Diesel Exhaust Technologies

OE NUMBER QUOTED FOR REFERENCE ONLY

- | | | | |
|---|---|--|--|
| 1.- OEM # XC45-5A281AA
DP # 10-8-001-221 | 2.- OEM # 04-20164-000
DP # 10-8-042-151 | 3.- OEM # 04-21778-001
DP # 10-8-051-151 | 4.- OEM # TCD-A40AFE
DP # 10-8-055-150 |
| 5.- OEM # TCP-A50AFE
DP # 10-8-055-220 | 6.- OEM # 04-21778-002
DP # 10-8-051-226 | 7.- OEM # F7HZ-5C264 MA
DP # 10-8-077-221 | 8.- OEM # E1HZ-5A231H
DP # 10-8-054-221 |

NOTE: Some of Dynaflex OEM Replacement Parts are Universally sized to accommodate a wide range of application and may not be an exact replica of your OEM part. But they will not effect fit and function, typically this applies to tail pipes and flex units.



OE NUMBER QUOTED FOR REFERENCE ONLY

- | | | | |
|--|---|--|--|
| 1.- OEM # 01-14596-000
DP # 10-8-003-221 | 2.- OEM # 04-21778-000
DP # 10-8-051-221 | 3.- OEM # ABF-N35
04-20289-000
DP # 10-8-052-220 | 4.- OEM # F6HZ-5C264-BA
DP # 10-8-072-290 |
| 5.- OEM # F6HZ-5C264-CA
DP # 10-8-073-290 | | | |

NOTE: Some of Dynaflex OEM Replacement Parts are Universally sized to accommodate a wide range of application and may not be an exact replica of your OEM part. But they will not effect fit and function, typically this applies to tail pipes and flex units.

MODEL AT9500 DAY CAB	FREIGHTLINER
CLASS: 8	PETERBILT
YEAR: 2004	KENWORTH
WHEEL BASE: 160"	WESTERN STAR
ENGINE SERIAL: 06R0758578	VOLVO
ENGINE MAKE: DD	MACK
MODEL/SERIES: 60	INTERNATIONAL
LTR: 12.7L	STERLING
HP: 380	FORD
WHEEL CONFIG: 4X2	HINO

FREIGHTLINER

PETERBILT

KENWORTH

WESTERN STAR

VOLVO

MACK

INTERNATIONAL

STERLING

FORD

HINO

MODEL:
L8513

CLASS:

8

YEAR:

1998

WHEEL BASE:

148

ENGINE SERIAL:

7A516526

ENGINE MAKE:

CAT

MODEL/SERIES:

3126B

LTR:

--

HP:

230

WHEEL CONFIG:

2X2

OEM # F8HS-5263-DA
DP # 10-8-703-220

OEM # F7HZ-5290-AA
DP # 10-8-851-296

5



4



3



OEM # F6HZ-5230-BA
DP # 10-8-403-290

3



OEM # 04-19751-000
DP # 10-8-158-150

OEM # F6HT-5B286 CB
DP # 10-8-301-151

2

OEM # 04-19734-000
DP # 10-8-107-150

2

1

OE NUMBER QUOTED FOR REFERENCE ONLY

1.- OEM # 01-14596-008
DP # 10-8-001-221

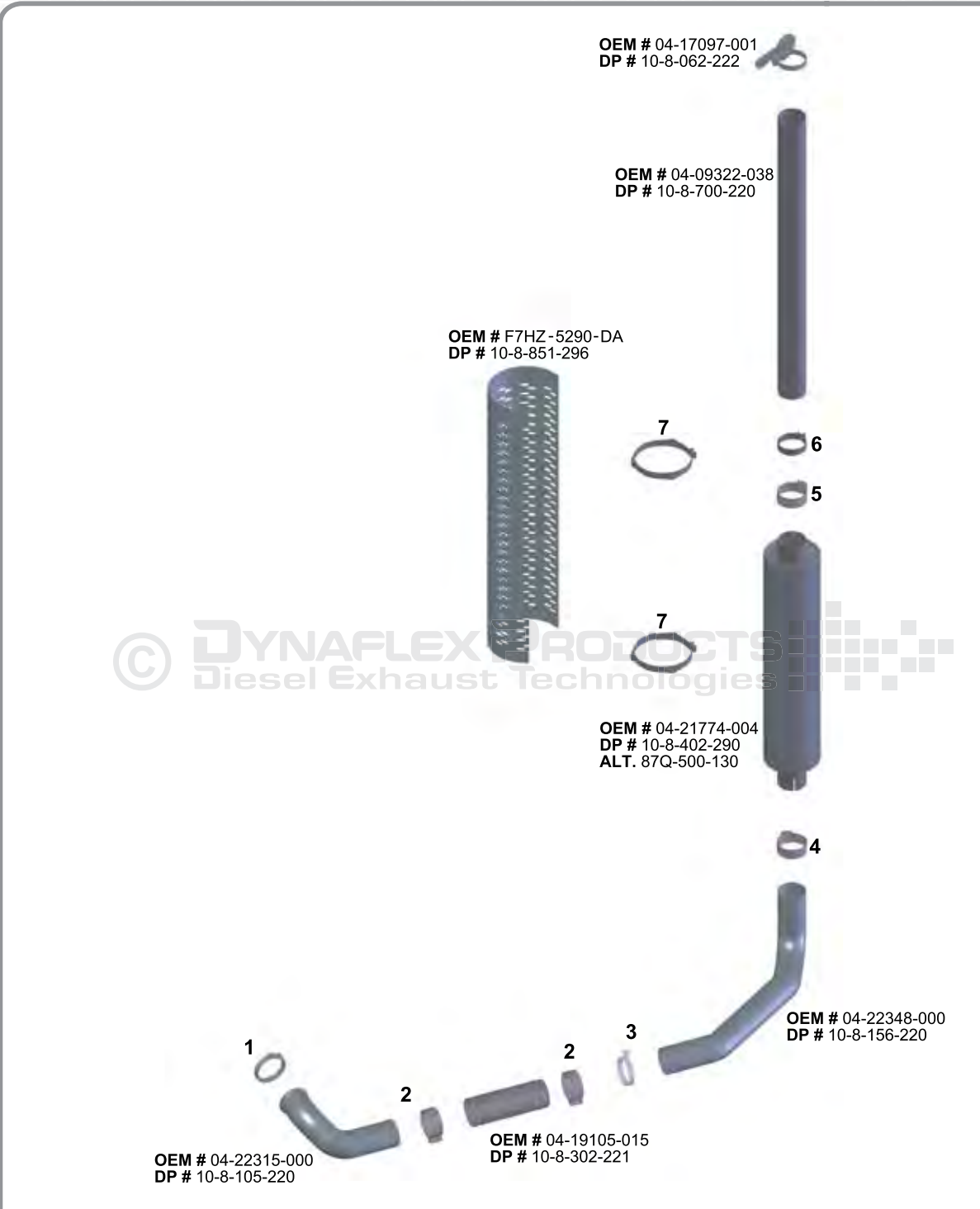
2.- OEM # 04-21778-001
DP # 10-8-051-151

3.- OEM # TCP-A50AFE
DP # 10-8-055-220

4.- OEM # F6HZ-5C264-NA
DP # 10-8-071-290

5.- OEM # F6HT-5C264-CA
DP # 10-8-073-290

NOTE: Some of Dynaflex OEM Replacement Parts are Universally sized to accommodate a wide range of application and may not be an exact replica of your OEM part. But they will not effect fit and function, typically this applies to tail pipes and flex units.



© DYNAFLEX PRODUCTS Diesel Exhaust Technologies

MODEL:	LT9500
CLASS:	8
YEAR:	2006
WHEEL BASE:	226
ENGINE SERIAL:	0460847080
ENGINE MAKE:	DDE
MODEL/SERIES:	60
LTR:	12-7L
HP:	380
WHEEL CONFIG:	4x2

FREIGHTLINER

PETERBILT

KENWORTH

WESTERN STAR

VOLVO

MAK

INTERNATIONAL

STERLING

FORD

HINO

OE NUMBER QUOTED FOR REFERENCE ONLY

- | | | | |
|---|---|---|---|
| 1.- OEM # 01-14596-008
DP # 10-8-001-221 | 2.- OEM # 04-21778-000
DP # 10-8-051-221 | 3.- OEM # 04-20219-000
DP # 10-8-043-225 | 4.- OEM # ABF-N35-04-20289-000
DP # 10-8-052-220 |
| 5.- OEM # E1HZ-5A231H
DP # 10-8-054-221 | 6.- OEM # TCP-A50AFE
DP # 10-8-055-220 | 7.- OEM # F6HZ5C264CA
DP # 10-8-073-290 | |

NOTE: Some of Dynaflex OEM Replacement Parts are Universally sized to accommodate a wide range of application and may not be an exact replica of your OEM part. But they will not effect fit and function, typically this applies to tail pipes and flex units.

FREIGHTLINER

PETERBILT

KENWORTH

WESTERN STAR

VOLVO

MACK

INTERNATIONAL

STERLING

FORD

HINO

MODEL:
F650 XL SUPER DUTY

CLASS:

6

YEAR:

2006

WHEEL BASE:

6600 MM

ENGINE SERIAL:

46632625

ENGINE MAKE:

CUMMINS

MODEL/SERIES:

--

LTR:

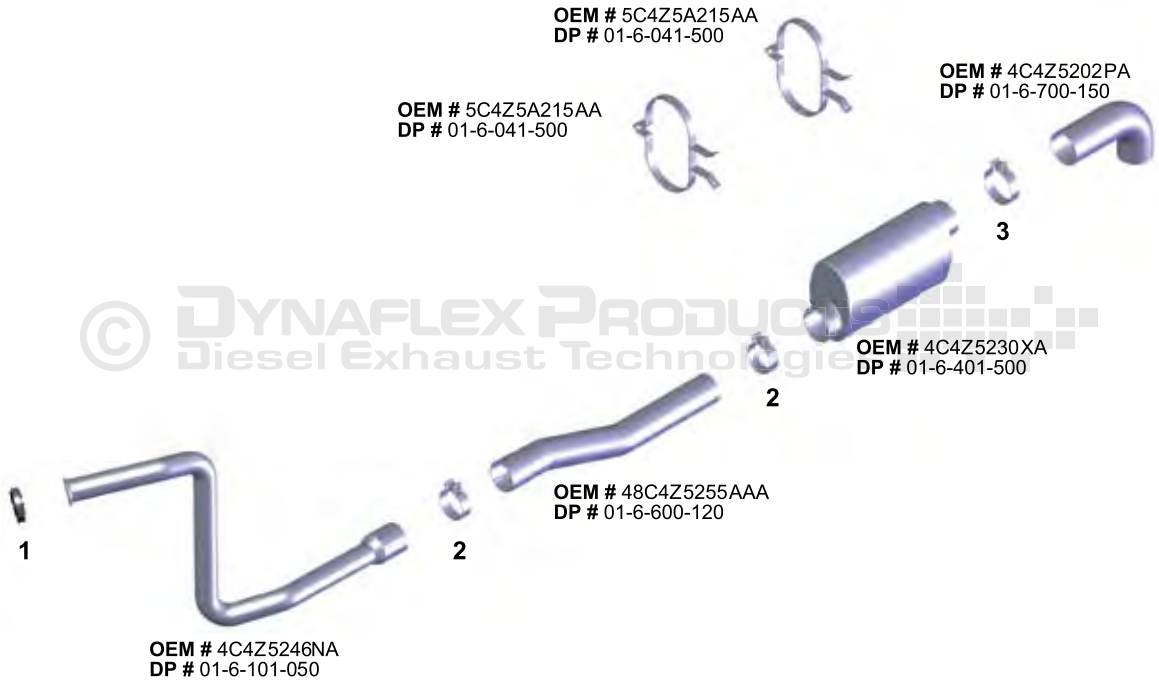
5.9

HP:

215

WHEEL CONFIG:

2X2



OE NUMBER QUOTED FOR REFERENCE ONLY

1.- OEM # 4C4Z5A231AB
DP # 01-6-001-071

2.- OEM # 4C4Z5H231FA
DP # 01-6-059-120

3.- OEM # 4C4Z5A231CA
DP # 01-6-059-150

NOTE: Some of Dynaflex OEM Replacement Parts are Universally sized to accommodate a wide range of application and may not be an exact replica of your OEM part. But they will not effect fit and function, typically this applies to tail pipes and flex units.

FREIGHTLINER

PETERBILT

KENWORTH

WESTERN STAR

VOLVO

MACK

INTERNATIONAL

STERLING

FORD

HINO

MODEL:
F650 XL
SUPER DUTY CREW CAB

CLASS:

6

YEAR:

2000

WHEEL BASE:

230"

ENGINE SERIAL:

56572893

ENGINE MAKE:

CUMMINS

MODEL/SERIES:

--

LTR:

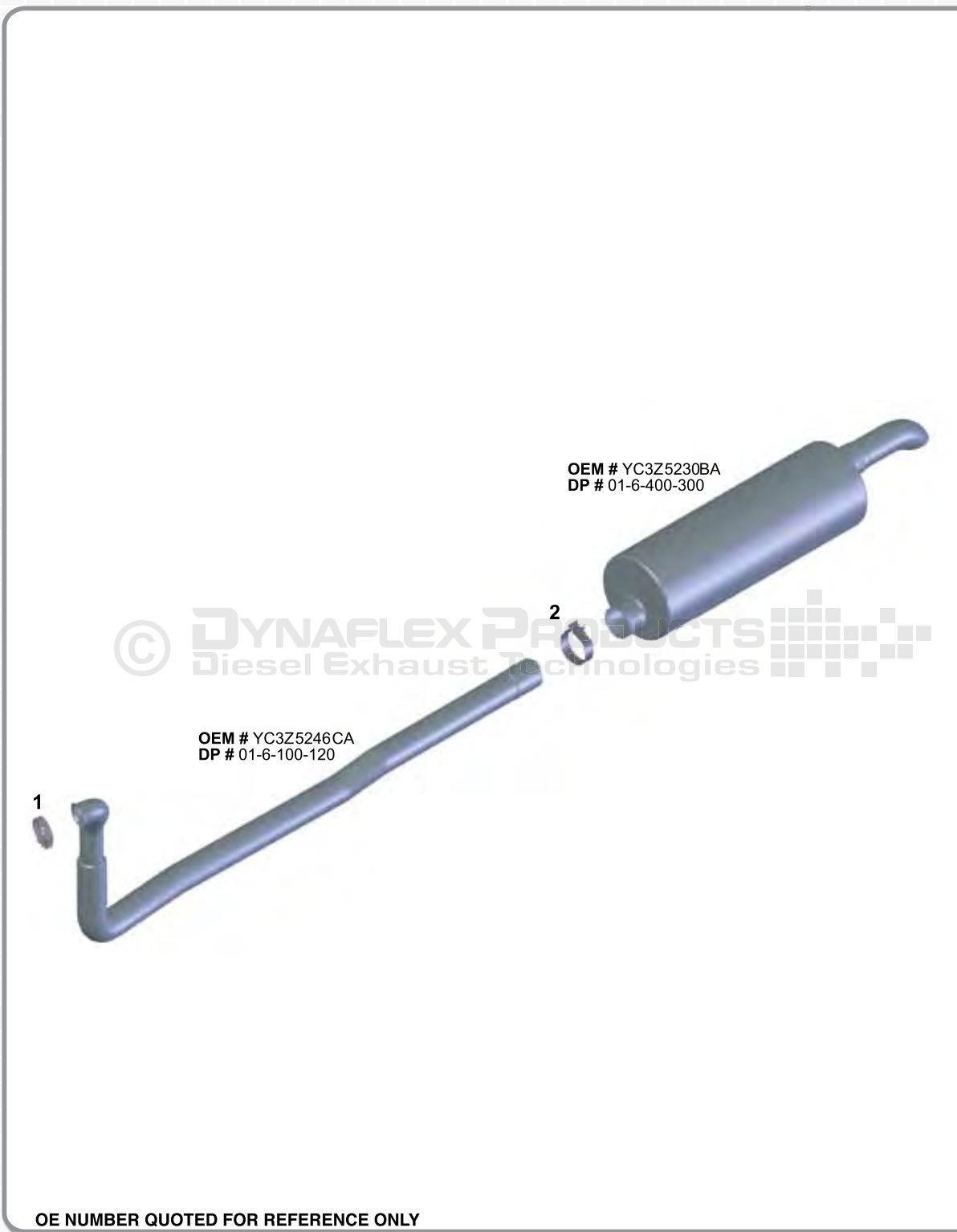
5.90

HP:

190

WHEEL CONFIG:

2x2



OEM # YC3Z5230BA
DP # 01-6-400-300

OEM # YC3Z5246CA
DP # 01-6-100-120

© DYNAPLEX PRODUCTS Diesel Exhaust Technologies

1

2

OE NUMBER QUOTED FOR REFERENCE ONLY

1.- OEM # F4HZ5A281A
DP # 01-6-002-071

2.- OEM # 4C4Z5A231FA
DP # 01-6-059-120

NOTE: Some of Dynaflex OEM Replacement Parts are Universally sized to accommodate a wide range of application and may not be an exact replica of your OEM part. But they will not effect fit and function, typically this applies to tail pipes and flex units.

FREIGHTLINER

PETERBILT

KENWORTH

WESTERN STAR

VOLVO

MACK

INTERNATIONAL

STERLING

FORD

HINO

MODEL:
MEDIUM DUTY
FE2620

CLASS:

6

YEAR:

2003

WHEEL BASE:

244

ENGINE SERIAL:

15084

ENGINE MAKE:

HINO

MODEL/SERIES:

J08C-TP

LTR:

.

HP:

220

WHEEL CONFIG:

2X2



OE NUMBER QUOTED FOR REFERENCE ONLY

NOTE: Some of Dynaflex OEM Replacement Parts are Universally sized to accommodate a wide range of application and may not be an exact replica of your OEM part. But they will not effect fit and function, typically this applies to tail pipes and flex units.

FREIGHTLINER

PETERBILT

KENWORTH

WESTERN STAR

VOLVO

MACK

INTERNATIONAL

STERLING

FORD

HINO

MODEL:
MEDIUM DUTY
FE2620

CLASS:

6

YEAR:

2002

WHEEL BASE:

244

ENGINE SERIAL:

14225

ENGINE MAKE:

HINO

MODEL/SERIES:

JO8C-TP

LTR:

--

HP:

220

WHEEL CONFIG:

2x2



© DYNAFLEX PRODUCTS Diesel Exhaust Technologies

OE NUMBER QUOTED FOR REFERENCE ONLY

NOTE: Some of Dynaflex OEM Replacement Parts are Universally sized to accommodate a wide range of application and may not be an exact replica of your OEM part. But they will not effect fit and function, typically this applies to tail pipes and flex units.

Dynaflex Products is proud to introduce our new and improved Heavy Duty OEM Replacement Catalog to Help expand our customers portfolio.

“Our mission is to build on our history of product excellence and technology innovation to provide the highest-quality and most reliable products and services to our world-wide customers and industry.”

Dynaflex warrants its Aftermarket OEM Replacement products against defects in workmanship and materials for one (1) year from date of original user purchase. Misuse, failure to protect the product from soot or chemical damage, damage from road hazards, and alterations such as welding, drilling or cutting void the warranty. Labor is not warranted.

Parts damaged by a freight company do not constitute a warranty claim. If you receive a dented or damaged part you should sign for package as damaged. Your claim should be directed to the responsible freight company.

PRINTED IN U.S.A. COPYRIGHT 2008 ©

CONTACT US FOR ANY OF OUR OTHER CATALOGS



HEAVY DUTY OEM REPLACEMENT PART
EXHAUST CATALOG
PTN: **OEM 08V2**



HEAVY DUTY UNIVERSAL EXHAUST
COMPONENTS CATALOG
PTN: **UNID8V1**



HEAVY DUTY INDUSTRIAL
HOSE PRODUCTS CATALOG
PTN: **INDH08V1**

visit us online at
www.dynaflexproducts.com

FREIGHTLINER

OEM PART NUMBER	DP PART NUMBER	DP OLD PART NUMBER
GAF P117306	02-4-130-070	
GAF-P113357	02-4-151-071	
FG-Q186241	02-6-041-260	
GAF-W116913	02-6-042-008	
GAF-W115841	02-6-043-008	
A04-24200-000	02-6-101-120	
04-22819-000	02-6-101-120	
04-21421-000	02-6-151-120	
04-18460-000	02-6-152-120	
04-23273-000	02-6-153-120	
GAF-P115559	02-6-154-120	
GAF-P114646	02-6-301-121	
GAF-P117693	02-6-301-121	
FG-26409N	02-6-401-260	
GAF-P116403	02-6-701-120	
FG-25182A	02-6-901-260	
A04-19184-000	02-7-001-151	
681-492-06-40	02-7-004-151	
CUM 3905216	02-7-004-151	
A04-09520-000	02-7-028-155	
A04-20920-000	02-7-041-305	
A04-20919-000	02-7-041-305	
A04-16895-000	02-7-043-305	
04-20164-000	02-7-051-151	
04-19249-001	02-7-058-150	
04-20945-001	02-7-058-150	
ABP-N35-40PLAG	02-7-058-150	
TCP-A40AFE	02-7-059-150	
ABP-N35-A40AF	02-7-059-150	
04-16566-001	02-7-084-159	
04-16566-000	02-7-085-159	
23-09132-064	02-7-090-151	
IDL5764	02-7-090-151	
04-21015-014	02-7-100-150	
04-21015-012	02-7-101-150	
04-21015-000	02-7-128-150	
04-19938-003	02-7-151-150	
04-19938-000	02-7-152-150	
04-18817-000	02-7-173-150	
04-19104-018	02-7-307-151	
04-18814-003	02-7-402-300	
04-19936-000	02-7-409-300	
04-21371-000	02-7-600-150	
04-16759-012	02-7-700-150	
2144859	02-7-901-300	
2579020	02-7-901-300	
01-14596-000	02-8-001-221	
1010-001	02-8-001-221	
186917	02-8-001-221	

OEM PART NUMBER	DP PART NUMBER	DP OLD PART NUMBER
01-14596-008	02-8-002-221	
681-492-00-40	02-8-003-151	
010028-006	02-8-003-151	
A04-09537-000	02-8-025-222	
RKRU500PL	02-8-025-222	
A04-09364-000	02-8-025-225	
CI U500Z	02-8-025-225	
23-09459-005	02-8-026-225	
A04-16862-000	02-8-041-305	
04-17602-000	02-8-046-008	
04-17143-000	02-8-047-008	
GAF- W116805	02-8-048-008	
681-490-00-42,	02-8-049-295	
A04-24246-000	02-8-049-295	
04-20164-001	02-8-050-221	
A04-12096-000	02-8-051-221	
A04-12096-002	02-8-051-221	
DN KYX00-5835	02-8-051-221	
DN-X007785	02-8-051-221	
04-19249-000	02-8-052-220	
ABP-N35-50PLA	02-8-052-220	
04-19249-002	02-8-052-221	
ABP-N35-50PLS	02-8-052-221	
04-21778-001	02-8-053-151	
04-21778-000	02-8-053-221	
04-21778-005	02-8-052-221	
04-21778-002	02-8-053-226	
TCP-A50AFE	02-8-055-220	
ABP-N35-A50AF	02-8-055-220	
TCP-A50BFE	02-8-055-221	
ABP-N35-04-20289-000	02-8-058-220	
04-22971-000	02-8-062-008	
A04-12111-010	02-8-071-295	
A04-12111-001	02-8-072-295	
23-09130-024	02-8-073-005	
04-20219-001	02-8-074-220	
A04-12111-009	02-8-075-295	
04-21772-000	02-8-076-155	
04-20539-000	02-8-077-155	
04-18866-000	02-8-078-295	
680-492-02-04	02-8-079-155	
04-16566-003	02-8-085-229	
04-16566-006	02-8-086-229	
04-20572-000	02-8-087-159	
04-20993-001	02-8-088-229	
04-23338-001	02-8-088-229	
04-20993-000	02-8-089-229	
04-23338-000	02-8-089-229	
23-09132-080	02-8-090-221	

Dynaflex Products old number quoted reference for only please order using new supersede number.

FREIGHTLINER

OEM PART NUMBER	DP PART NUMBER	DP OLD PART NUMBER
IDL-5780	02-8-090-221	
14-41098-006	02-8-096-009	
A04-20852-000	02-8-100-150	
04-17123-024	02-8-101-220	
04-16460-009	02-8-102-220	
04-21016-014	02-8-103-220	
04-16460-022	02-8-104-220	
04-21016-008	02-8-105-220	
04-17094-012	02-8-106-220	
04-17093-013	02-8-107-150	
04-17094-014	02-8-108-220	
04-17094-030	02-8-109-220	
04-17094-022	02-8-110-220	14FL-4022AZ
04-17123-002	02-8-111-220	
04-17123-012	02-8-112-220	
04-17123-025	02-8-113-220	
04-21016-002	02-8-114-220	
04-21016-003	02-8-115-220	
04-21016-010	02-8-116-220	
04-21865-000	02-8-117-220	
04-22263-000	02-8-118-220	
04-21928-000	02-8-119-220	
04-20001-000	02-8-120-150	
04-17094-013	02-8-121-220	
04-17093-010	02-8-123-150	14FL-4022400AZ
04-13143-000	02-8-124-220	14FL-3143AZ
04-14120-000	02-8-125-220	14FL-4120AZ
04-16460-002	02-8-126-220	
04-22301-002	02-8-127-220	
04-22041-000	02-8-129-220	
04-21307-000	02-8-130-150	
04-18503-000	02-8-131-220	
04-17094-015	02-8-132-220	
04-17123-000	02-8-133-220	
04-19999-000	02-8-134-150	
04-17555-000	02-8-151-220	
A04-17476-000	02-8-153-220	
A04-17476-001	02-8-153-222	
04-17552-000	02-8-154-220	
04-17552-001	02-8-154-222	
04-16639-001	02-8-155-220	
04-17553-010	02-8-156-220	
04-17553-007	02-8-156-222	
04-09657-013	02-8-157-222	
04-19610-001	02-8-159-222	
04-19611-001	02-8-160-222	
04-16931-030	02-8-161-220	
04-16494-000	02-8-162-220	
04-17131-001	02-8-163-220	

OEM PART NUMBER	DP PART NUMBER	DP OLD PART NUMBER
04-19609-001	02-8-164-220	
04-09586-013	02-8-165-220	
04-21876-000	02-8-166-220	
E04-13135-052	02-8-167-220	
04-20688-000	02-8-168-220	
04-17840-000	02-8-169-220	
04-17371-000	02-8-170-220	
04-21609-001	02-8-171-222	
A04-09831-000	02-8-172-220	
A04-09831-000	02-8-172-222	
04-20689-000	02-8-174-222	
04-20689-001	02-8-175-222	
04-09829-001	02-8-178-220	14FL-9001AZ
04-09829-001	02-8-178-222	14FL-9001CP
228-099-10	02-8-179-220	14FL-8099AZ
A04-09829-002	02-8-185-220	14FL-9000AZ
A04-09829-002	02-8-185-222	14FL-9000CP
A04-09601-000	02-8-186-220	14FL-B9601AZ
A04-09831-002	02-8-189-220	14FL-1002
04-13110-032	02-8-190-220	14FL-3110AZ
04-13315-000	02-8-191-220	14FL-3315AZ
04-13973-000	02-8-192-220	14FL-3973AZ
04-12126-000	02-8-193-150	14FL-2126AZ
04-11284-000	02-8-194-220	14FL-1284AZ
681-49264-01	02-8-195-220	14FL-9264AZ
04-12098-000	02-8-196-220	14FL-2098AZ
04-12399-000	02-8-197-220	14FL-2399AZ
04-15077-000	02-8-198-220	14FL-R5077AZ
04-15077-003	02-8-199-220	14FL-L5077AZ
04-13470-026	02-8-202-220	
04-13470-051	02-8-203-220	
04-15653-000	02-8-204-220	
04-15653-001	02-8-204-222	
04-15653-003	02-8-205-222	
04-21705-000	02-8-206-220	
E04-13110-042	02-8-207-220	
04-21707-000	02-8-208-220	
04-15652-000	02-8-209-220	
04-19995-001	02-8-210-150	
04-16494-001	02-8-211-222	
04-18821-000	02-8-212-150	
A04-25922-018	02-8-300-151	
04-19104-015	02-8-301-151	
04-09323-015	02-8-301-221	
04-19105-015	02-8-301-221	
04-19104-014	02-8-304-151	
04-19105-014	02-8-304-221	
04-19105-016	02-8-305-221	
04-19105-017	02-8-306-221	

PETERBILT

OEM PART NUMBER	DP PART NUMBER	DP OLD PART NUMBER
1W2431	09-6-001-151	
14-00095	09-6-025-155	
14-14332	09-6-026-295	
P241-556	09-6-026-295	
14-14539	09-6-051-150	
K077-345-1	09-6-051-150	
14-12640	09-6-051-151	
14-01308	09-6-085-151	
14-15076	09-6-101-150	
14-15372	09-6-102-150	
14-13040-0150	09-6-150-220	
14-15319	09-6-151-150	
14-13845R-C	09-6-152-222	
14-14687-0250	09-6-153-150	
14-13845L-C	09-6-154-222	
14-08045-015	09-6-300-151	
40-18S	09-6-300-151	
14-08045-020	09-6-301-151	
40-24S	09-6-301-151	
14-15561-1500000	09-6-401-290	
14-14334-0100	09-6-601-150	
14-15151	09-6-602-150	
14-15216	09-6-603-150	
14-07455-035C	09-6-700-222	
VQ10588A01	09-8-002-221	
14-15878	09-8-003-221	
05-15878	09-6-301-151	
186917	09-6-301-151	
1010-1	09-6-301-151	
14-11855	09-8-025-225	
14-14662 REV G	09-8-041-221	
14-12498	09-8-043-225	
14-00924	09-8-044-228	
14-13932	09-8-045-225	
14-13926	09-8-046-225	
14-13795	09-8-047-005	
14-13023	09-8-048-225	
14-14381	09-8-048-225	
14-13847	09-8-049-228	
14-13385	09-8-050-228	
14-11434	09-8-051-220	
14-12620	09-8-051-221	
14-13234	09-8-054-295	
14-14664	09-8-071-295	
14-14668L	09-8-073-295	
14-14668R	09-8-074-295	
14-14696L	09-8-075-290	
14-14696R	09-8-076-290	
14-15569-001	09-8-078-330	

OEM PART NUMBER	DP PART NUMBER	DP OLD PART NUMBER
14-14693	09-8-079-005-01	
14-15034	09-8-079-005-02	
14-14695	09-8-079-290	
14-25042	09-8-080-300	
14-01661	09-8-085-221	
20-15862	09-8-086-221	
05-19066-450	09-8-090-151	
HTM450LDYC	09-8-090-151	
05-11002	09-8-092-221	
05-19066-550	09-8-092-221	
D2006-4685	09-8-092-221	
D2006-1332	09-8-092-221	
14-12275	09-8-093-290	
102AA	09-8-093-290	
14-14691	09-8-095-006	
14-14694	09-8-096-009	
14-14623	09-8-096-295	
X102AA	09-8-096-295	
14-12796	09-8-097-220	
14-14383	09-8-099-220	
14-25016	09-8-100-220	
14-15329	09-8-101-220	
14-15085 Rev.A	09-8-103-223	
14-14256	09-8-107-220	
14-14192	09-8-109-220	
14-13002-22	09-8-110-220	
M66-6402	09-8-111-220	
14-13825	09-8-112-223	
14-14194	09-8-151-220	
14-15073	09-8-153-220	
14-1510090X100220	09-8-155-220	
14-15100-25X060203	09-8-156-220	
14-13409 Rev.E	09-8-159-223	
14-25074C	09-8-161-222	
M04-6001-0270X0240	09-8-162-220	
M04-6001-0390X0220	09-8-163-220	
14-15501	09-8-164-223	
20562AA	09-8-164-223	
14-01726	09-8-166-220	14PB-1726AZ
14-01726C	09-8-166-222	14PB-1726CP
14-13056	09-8-170-220	14PB-3056AZ
14-13056C	09-8-170-222	14PB-3056CP
14-13906L-C	09-8-171-222	
14-13906R-C	09-8-172-222	
14-13040-1375	09-8-174-220	
14-13048-0150	09-8-175-220	
14-13484	09-8-176-220	
14-13484C	09-8-176-222	
14-15584-0880	09-8-178-220	

KENWORTH

OEM PART NUMBER	DP PART NUMBER	DP OLD PART NUMBER
M66-6344	09-8-179-220	
M66-6277	09-8-180-220	
14-25035	09-8-181-220	
14-25035C	09-8-181-222	
M04-6149-0470X0020	09-8-182-150	
14-14425R	09-8-183-220	
14-14425L	09-8-184-220	
M04-6001-0350X0240	09-8-185-220	
14-14906	09-8-186-223	
14-15503	09-8-186-223	
M04-6149-0420X0220	09-8-187-150	
14-13060-215R-C	09-8-188-222	
14-13060-215R	09-8-188-220	
14-13060-215L-C	09-8-189-222	
14-13060-215L	09-8-189-220	
14-15550-0306	09-8-300-221	
14-08044-011	09-8-301-221	
14-08044-012	09-8-301-221	
50-12S	09-8-301-221	
14-15345-0410	09-8-302-151	
14-15550-0410	09-8-302-221	
14-15550-0463	09-8-303-221	
14-13436	09-8-305-221	
14-08044-013	09-8-305-221	
14-08044-014	09-8-305-221	
14-08044-015	09-8-305-221	
14-08044-016	09-8-305-221	
14-08044-017	09-8-305-221	
50-18S	09-8-305-221	
14-15345-0430	09-8-306-151	
14-15550-0430	09-8-306-221	
14-15550-0272	09-8-307-221	
14-08044-022	09-8-308-221	
50-24S	09-8-308-221	
M110814	09-8-400-300	
14-13842-002	09-8-401-290	
MFM10-0667	09-8-401-290	
M101281	09-8-401-290	
M111062	09-8-407-300	
M100666	09-8-408-290	
14-13842-001	09-8-408-290	
MFM10-0668	09-8-408-290	
M101280	09-8-408-290	
14-14266-0100	09-8-540-220	
14-15353-0100	09-8-540-220	
14-4553-0150	09-8-540-220	
14-14266-0150	09-8-541-220	
14-15353-0150	09-8-541-220	
14-15500 RV50384AA	09-8-542-223	

OEM PART NUMBER	DP PART NUMBER	DP OLD PART NUMBER
14-25047C	09-8-544-222	14PB-3055AZ
14-13055	09-8-545-220	14PB-4055AZ
14-14055	09-8-546-220	
14-25027	09-8-600-220	
14-14460-0800	09-8-601-220	
14-14460-1375	09-8-602-220	
14-15584-1280	09-8-607-220	
339550	09-8-607-220	
14-15100-90X100650	09-8-608-220	
14-13940-0460	09-8-609-223	
14-13394-202 REV.B	09-8-610-220	
14-14460-0410	09-8-611-220	
14-14460-0600	09-8-612-220	
M66-6368	09-8-613-220	
M66-6356	09-8-614-220	
M66-6346	09-8-615-220	
14-25033	09-8-616-220	
14-25028-0965	09-8-617-220	
14-14460-0700	09-8-618-220	
14-15583-1200	09-8-619-220	
14-15583-1170	09-8-620-220	
14-15583-1300	09-8-621-220	
K180-17386-5	09-8-622-220	
14-14460-1000	09-8-623-220	
14-14460-1050	09-8-624-220	
14-15562-1324	09-8-703-222	
14-07455-065C	09-8-704-222	
14-15562-1348	09-8-705-222	
14-08683-048C	09-8-705-222	
14-08683-046C	09-8-705-222	
14-15562-1360	09-8-707-222	
14-08683-058C	09-8-707-222	
14-08683-062C	09-8-707-222	
14-15562-1160	09-8-708-222	
M66-6010-0300	09-8-709-220	
0300 MM LONG	09-8-709-220	
14-08683-031C	09-8-710-222	
14-25039	09-8-850-309	
14-14689	09-8-851-296	
14-14775	09-8-852-299	
14-14752	09-8-853-296	
14-09875	09-8-854-296	
14-25038-002	09-8-857-306	
M46-6006R	09-8-858-009-01	
M46-6006	09-8-858-009-02	
14-14785R	09-8-858-296	
14-14785L	09-8-859-296	
M101274	09-8-901-290	
M140139	09-8-902-330	

Dynaflex Products old number quoted reference for only please order using new supersede number.

KENWORTH

OEM PART NUMBER	DP PART NUMBER	DP OLD PART NUMBER
10028-3	07-3-001-151	
K077-100	07-3-041-155	
K077-345-1	07-3-051-150	
40PLA	07-3-051-150	
A402FE	07-3-052-150	
40AA	07-3-052-150	
A40AFE	07-3-052-150	
K054-2955	07-3-064-000	
K054-2915	07-3-065-000	
K231-460	07-3-067-000	
K180-19653	07-3-151-150	
K180-18820	07-3-152-150	
M66-1426	07-3-153-150	
M66-1418	07-3-154-150	
K180-1641-14	07-3-301-151	
M110318	07-3-401-300	
K180-7345-18	07-3-601-150	
P180-17605	07-3-701-150	
K180-17211-6	07-3-702-150	
M1110892144925	07-3-901-300	
2547257	07-3-901-300	
M11-1249	07-7-043-008	
M16-1021	07-7-071-295	
M16-1022	07-7-074-295	
M66-1410	07-7-101-150	
M66-1411	07-7-151-150	
K180-19878-0800250	07-7-152-150	
M66-1444CP	07-7-153-152	
K180-1641-16	07-7-301-151	
M46-1006	07-7-857-296	
M111083	07-7-901-290	
214-4910	07-7-901-290	
2547255	07-7-901-290	
1010-1	07-8-001-221	
186917	07-8-001-221	
90-0013	07-8-002-221	
VQ10588A01	07-8-003-221	
D2006-5000	07-8-003-221	
VQ10475A01	07-8-004-151	
D2006-4600	07-8-004-151	
90-0012	07-8-004-151	
10028-6	07-8-015-151	
M16-1033-001	07-8-016-221	
FBCL500CP	07-8-025-222	
50FBC	07-8-025-222	
FBCL500ZN	07-8-025-225	
FBCL500ZP	07-8-025-225	
24510	07-8-026-225	
24511	07-8-026-225	

OEM PART NUMBER	DP PART NUMBER	DP OLD PART NUMBER
T11-1019	07-8-033-008	
T11-1022	07-8-034-008	
M11-1144	07-8-036-000	
M11-1144R	07-8-037-000	
M11-1145R	07-8-038-000	
M11-1145	07-8-039-000	
M11-1208	07-8-040-001	
W34-1064-2	07-8-042-001	
D8400-9234	07-8-042-001	
W34-1064-1	07-8-043-001	
D8400-9217	07-8-043-001	
M16-1011	07-8-044-221	
M16-1011R	07-8-045-221	
K077-392	07-8-046-221	
M16-1005	07-8-046-221	
K077-399PKG	07-8-047-295	
K169-158-10CA	07-8-048-001	
D8400-4924	07-8-048-001	
M16-1001	07-8-049-220	
K077-392R	07-8-050-221	
M16-1005R	07-8-050-221	
K077-342-1	07-8-051-220	
X004484	07-8-051-220	
50PLA	07-8-051-220	
K007-342-2	07-8-051-221	
50PLS	07-8-051-221	
50PLB	07-8-051-226	
A50AFE	07-8-053-220	
50AA	07-8-053-220	
A50BFE	07-8-053-221	
K077-234	07-8-061-228	
K077-301PKG	07-8-062-295	
M84-1004-1	07-8-063-225	
K054-2150	07-8-064-008	
M84-1004-3	07-8-065-291	
M84-1004-4	07-8-066-291	
M80-1006	07-8-067-000	
K041-814-100	07-8-068-001	
K041-814-120	07-8-068-001	
D8400-4847	07-8-068-001	
K054-2079	07-8-068-008	
K210-901	07-8-069-001	
M05-1001	07-8-069-001	
M11-1132	07-8-070-001	
10916AA-4-04	07-8-070-001	
K077-305PKG	07-8-071-295	
K299-732	07-8-071-295-1	
K077-349PKG	07-8-072-225	
K077-352	07-8-073-225	

KENWORTH

OEM PART NUMBER	DP PART NUMBER	DP OLD PART NUMBER
K054-2952	07-8-075-220	
K054-2956	07-8-076-221	
M11-1527	07-8-077-001	
K213-541	07-8-085-221	
M46-1004	07-8-085-221	
14-01661	07-8-085-221	
K213-3664	07-8-086-002	
K077-293-550	07-8-090-221	
D2006-4685	07-8-090-221	
M66-1210	07-8-097-150	
K180-17915	07-8-101-220	
M66-1051	07-8-102-220	
M66-2321	07-8-103-220	
M66-2323	07-8-104-220	
M66-2323	07-8-104-221	
M66-1007	07-8-121-220	
M66-1389	07-8-141-220	
K130-166	07-8-142-220	
K180-9052	07-8-143-220	14KW-9052AZ
K180-10742	07-8-151-220	14KW-L0742AZ
K180-10742CP	07-8-151-222	14KW-L0742CP
K180-10742R	07-8-152-220	14KW-R0742AZ
K180-10742RCP	07-8-152-222	14KW-R0742CP
K180-19651	07-8-153-150	
K180-16516-1	07-8-154-220	
K180-14764CP	07-8-157-222	14KW-L4764CP
K180-14764RCP	07-8-158-222	14KW-R4764CP
K180-12953CP	07-8-163-222	14KW-L2953CP
K180-12953RCP	07-8-164-222	14KW-R2953CP
K180-18615CP	07-8-169-222	14KW-L8615CP
K180-18615RCP	07-8-170-222	14KW-R8615CP
K180-18616CP	07-8-171-222	14KW-L8616CP
K180-18616RCP	07-8-172-222	14KW-R8616CP
K180-5419	07-8-177-220	14KW-5419AZ
K180-9054A	07-8-178-220	14KW-9054AZ
17HE5	07-8-178-220	14KW-9054AZ
K180-13085	07-8-201-220	
K180-18531	07-8-202-220	14KW-18531AZ
K180-16339	07-8-203-220	
K180-16338CP	07-8-204-222	
K180-13637	07-8-205-220	
M66-1419-0338RCP	07-8-206-222	
M66-1419-0338CP	07-8-207-222	
M66-1319	07-8-208-220	
M66-1320	07-8-209-220	
M66-1814	07-8-210-220	
K180-18308	07-8-211-220	
M66-1017	07-8-212-220	
M66-2198	07-8-214-220	

OEM PART NUMBER	DP PART NUMBER	DP OLD PART NUMBER
M66-2198R	07-8-215-220	
M66-1816	07-8-216-220	
K180-18610-525	07-8-221-220	
K180-17386-24	07-8-222-220	
M66-1020	07-8-223-220	
K180-19286	07-8-231-220	
K180-19286CP	07-8-231-222	
M66-1028	07-8-232-220	
M66-1259	07-8-233-220	14KW-1259AZ
M66-1216	07-8-234-220	
M66-1216CP	07-8-234-222	
M66-1216R	07-8-235-220	
M66-1216RCP	07-8-235-222	
M66-1263	07-8-236-220	
K180-19628	07-8-237-220	
M66-1270CP	07-8-251-222	
M66-1270RCP	07-8-252-222	
M661082N075120N062	07-8-253-220	
M66-1082X160225N090	07-8-254-220	
M661082N115385N090	07-8-255-220	
M66-1714C	07-8-257-222	
M66-1714RC	07-8-258-222	
M66-1713C	07-8-259-222	
M66-1713RC	07-8-260-222	
M66-1271CP	07-8-261-222	
M66-1271RCP	07-8-262-222	
M66-1048	07-8-263-220	
M66-1317	07-8-264-220	
M66-1317CP	07-8-264-222	
M66-1317R	07-8-265-220	
M66-1317RCP	07-8-265-222	
K180-14765	07-8-267-220	
K180-17562	07-8-268-220	
K180-19349	07-8-268-220	
M66-1215	07-8-269-220	
K180-19231	07-8-270-220	
M66-2319	07-8-271-220	
M66-2319	07-8-271-221	
M66-1188	07-8-274-150	
M66-1447	07-8-275-220	
K180-17876	07-8-276-220	
K180-17876CP	07-8-276-222	
M661082X160085N090	07-8-277-220	
M66-1402-0580	07-8-278-220	
M66-1402-0580CP	07-8-278-222	
M66-1402-0936CP	07-8-279-222	
M66-1281-0580	07-8-280-220	
M66-1281-0580CP	07-8-280-222	
M66-1279	07-8-281-220	

Dynaflex Products old number quoted reference for only please order using new supersede number.

MACK

OEM PART NUMBER	DP PART NUMBER	DP OLD PART NUMBER
11ME241	08-8-001-221	
186917	08-8-001-221	
83AX840	08-8-025-225	
48RU3104P3	08-8-026-155	
48RU3104P4	08-8-026-225	
11ME342M	08-8-041-155	
8ME4197M4	08-8-042-222	
8ME4197M2	08-8-043-222	
8ME4175M10	08-8-044-291	
8ME4159M	08-8-045-220	
11ME229P2	08-8-051-150	
11ME229P3	08-8-051-220	
FG-90368A	08-8-051-220	
M001865	08-8-052-228	
11ME348M	08-8-052-228	
11ME334M	08-8-053-150	
4ME 33072M	08-8-053-220	
11ME330M	08-8-053-220	
11ME330M3	08-8-053-221	
8ME4174M5	08-8-071-291	
8ME4174M10	08-8-072-291	
8ME4175M5	08-8-073-291	
8ME4174M6	08-8-074-291	
8ME4175M7	08-8-075-291	
8ME4175M6	08-8-076-291	
8ME4174M7	08-8-077-291	
8ME4152M	08-8-078-291	
8ME4151M3	08-8-079-291	
8ME4151M	08-8-080-291	
11ME344M	08-8-081-281	
11ME355M	08-8-082-288	
11ME326	08-8-083-222	
8ME4175M11	08-8-084-291	
13ME3246M	08-8-085-150	
13ME3234M	08-8-086-220	
13ME461M	08-8-087-220	
13ME3231M	08-8-088-220	
13ME3216M	08-8-089-220	
83AX698	08-8-090-151	
8ME4159M2	08-8-091-221	
8ME4159M	08-8-092-221	
2QM373AM4	08-8-096-001	
4ME41112M2	08-8-100-150	
4ME41020M	08-8-101-220	
4ME21696	08-8-102-150	14MK-1696AZ
4ME21919	08-8-103-150	14MK-1919AZ
4ME4946BM2	08-8-104-220	
4ME597M	08-8-105-220	
4ME5102M	08-8-106-220	

OEM PART NUMBER	DP PART NUMBER	DP OLD PART NUMBER
4ME5101M	08-8-107-220	
4ME5101M2	08-8-108-220	
4ME5126M2	08-8-109-220	
4ME41107M	08-8-110-220	
4ME4947M	08-8-151-220	
4ME29333	08-8-153-150	14MK-9333
4ME32611	08-8-154-150	14MK-2611AZ
4ME32612	08-8-155-150	14MK-2612AZ
4ME21598	08-8-156-150	14MK-1598AZ
4ME21552A	08-8-157-150	
4ME32603	08-8-158-150	14MK-2603AZ
4ME4658	08-8-159-150	14MK-4658AZ
4ME32615	08-8-160-150	14MK-2615AZ
4ME32616	08-8-161-150	
4ME583M2	08-8-162-222	
4ME583M	08-8-163-220	
4ME5110A	08-8-164-150	
4ME41037M2	08-8-165-222	
4ME33095M2	08-8-166-222	
4ME33070M	08-8-167-220	
4ME580M2	08-8-168-222	
4ME2991P16	08-8-300-221	
4ME2991P9	08-8-301-221	
4ME22037	08-8-304-151	
4ME2991P17	08-8-304-221	
4ME21408	08-8-305-151	14MK-1408
4ME21409	08-8-306-151	14MK-1409
4ME2991P5	08-8-307-221	
4ME2991P6	08-8-308-221	
2ME3102	08-8-400-280	
2ME3104	08-8-401-290	
2ME3104P5	08-8-401-290	
2ME3135M	08-8-401-290	
2ME-336B	08-8-402-270	
2ME49M	08-8-403-300	
4ME595M3	08-8-540-220	
4ME579M2	08-8-541-222	
4ME33098M	08-8-600-220	
4ME33072M	08-8-601-220	
4ME584M	08-8-601-220	
4ME33063M44	08-8-700-222	
4ME33063M5	08-8-701-220	
4ME33063M34	08-8-702-220	
4ME33063M3	08-8-703-222	
4ME33096M5	08-8-704-222	
4ME33063M12	08-8-705-222	
13ME518M	08-8-850-296	
13ME522M	08-8-851-296	
13ME510M	08-8-852-299	

Dynaflex Products old number quoted reference for only please order using new supersede number.

INTERNATIONAL

OEM PART NUMBER	DP PART NUMBER	DP OLD PART NUMBER
893944R92	05-6-003-121	
3553803C1	05-6-003-121	
3553803C2	05-6-003-121	
583977C91	05-6-058-120	
EC35PLA	05-6-058-120	
2015640C1	05-6-058-120	
EC35AEA	05-6-058-120	
2015639C1	05-6-058-120	
EC40AEA	05-6-058-120	
2029922C91	05-6-072-505	
2004504C1	05-6-109-120	
2004535C2	05-6-152-120	
753329C1	05-6-302-121	
320228C1	05-6-302-121	
320230C1	05-6-302-121	
2018471C1	05-6-402-500	
258387C2	05-6-709-150	
540200C1	05-7-029-155	
2507193C1	05-7-041-501	
2505110C1	05-7-041-500	
3582606C2	05-7-100-120	
3533076C1	05-7-101-120	
2009075C1	05-7-102-120	
2009077C2	05-7-150-120	
2013693C2	05-7-151-150	
2021550C2	05-7-401-500	
3838939C1	05-7-600-120	
2021527C1	05-07-601-120	
3539083C1	05-7-700-150	
532395C1	05-7-701-150	
2017555C3	05-7-850-158	
3589192C1	05-7-900-500	
10028-6	05-8-001-151	
893945R92	05-8-001-151	
1672105C91	05-8-002-221	
3586939C1	05-8-002-221	
50443	05-8-002-221	
282400C1	05-8-025-158	
593566C1	05-8-027-155	
XH89548K	05-8-027-155	
598602C1	05-8-027-222	
598601C1	05-8-027-222	
XH5CC	05-8-027-222	
593568C1	05-8-029-151	
451788C2	05-8-030-150	
554318C1	05-8-030-150	
598533C1	05-8-030-220	
598600C1	05-8-030-220	
598599C1	05-8-030-220	

OEM PART NUMBER	DP PART NUMBER	DP OLD PART NUMBER
554319C1	05-8-030-220	
593567C1	05-8-031-151	
1517112C1	05-8-041-000	
3530232C1	05-8-041-298	
3530233C1	05-8-042-298	
3524401C1	05-8-043-008	
596485C1	05-8-049-008	
583978C91	05-8-051-150	
EC40PLA	05-8-051-150	
583980C91	05-8-051-151	
EC40PLB	05-8-051-151	
583979C91	05-8-052-220	
3538040C1	05-8-052-220	
EC50PLA	05-8-052-220	
EC50PLB	05-8-052-221	
2004456C1	05-8-055-220	
EC50AEA	05-8-055-220	
EC50AEA	05-8-055-221	
3530379C1	05-8-055-240	
EC60AEA	05-8-055-240	
3571664C1	05-8-057-220	
35769445C1	05-8-062-320	
3582240C1	05-8-063-328	
544430C1	05-8-068-222	
2008449C1	05-8-068-225	
2000226C1	05-8-070-290	
1518563C1	05-8-071-220	
2000224C1	05-8-072-290	
503310C1	05-8-075-295	
503308C1	05-8-076-295	
3576946C1	05-8-077-320	
2039787C1	05-8-101-150	
3523689C1	05-8-103-220	
3525453C1	05-8-105-220	
3588824C1	05-8-106-220	
3588824C3	05-8-106-220	
3588724C1	05-8-107-220	
3588724C3	05-8-107-220	
582167C1	05-8-108-220	
3564821C1	05-8-109-150	
3564821C3	05-8-109-150	
3529012C2	05-8-109-150	
2035532C2	05-8-151-150	
3539839C2	05-8-153-220	
3571527C1	05-8-155-220	
3576949C1	05-8-157-222	
3519584C1	05-8-159-150	
43203173C1	05-8-161-220	
3529011C2	05-8-162-220	

INTERNATIONAL

OEM PART NUMBER	DP PART NUMBER	DP OLD PART NUMBER
11ME241	08-8-001-221	
186917	08-8-001-221	
83AX840	08-8-025-225	
48RU3104P3	08-8-026-155	
48RU3104P4	08-8-026-225	
11ME342M	08-8-041-155	
8ME4197M4	08-8-042-222	
8ME4197M2	08-8-043-222	
8ME4175M10	08-8-044-291	
8ME4159M	08-8-045-220	
11ME229P2	08-8-051-150	
11ME229P3	08-8-051-220	
FG-90368A	08-8-051-220	
M001865	08-8-052-228	
11ME348M	08-8-052-228	
11ME334M	08-8-053-150	
4ME 33072M	08-8-053-220	
11ME330M	08-8-053-220	
11ME330M3	08-8-053-221	
8ME4174M5	08-8-071-291	
8ME4174M10	08-8-072-291	
8ME4175M5	08-8-073-291	
8ME4174M6	08-8-074-291	
8ME4175M7	08-8-075-291	
8ME4175M6	08-8-076-291	
8ME4174M7	08-8-077-291	
8ME4152M	08-8-078-291	
8ME4151M3	08-8-079-291	
8ME4151M	08-8-080-291	
11ME344M	08-8-081-281	
11ME355M	08-8-082-288	
11ME326	08-8-083-222	
8ME4175M11	08-8-084-291	
13ME3246M	08-8-085-150	
13ME3234M	08-8-086-220	
13ME461M	08-8-087-220	
13ME3231M	08-8-088-220	
13ME3216M	08-8-089-220	
83AX698	08-8-090-151	
8ME4159M2	08-8-091-221	
8ME4159M	08-8-092-221	
2QM373AM4	08-8-096-001	
4ME41112M2	08-8-100-150	
4ME41020M	08-8-101-220	
4ME21696	08-8-102-150	14MK-1696AZ
4ME21919	08-8-103-150	14MK-1919AZ
4ME4946BM2	08-8-104-220	
4ME597M	08-8-105-220	
4ME5102M	08-8-106-220	

OEM PART NUMBER	DP PART NUMBER	DP OLD PART NUMBER
4ME5101M	08-8-107-220	
4ME5101M2	08-8-108-220	
4ME5126M2	08-8-109-220	
4ME41107M	08-8-110-220	
4ME4947M	08-8-151-220	
4ME29333	08-8-153-150	14MK-9333
4ME32611	08-8-154-150	14MK-2611AZ
4ME32612	08-8-155-150	14MK-2612AZ
4ME21598	08-8-156-150	14MK-1598AZ
4ME21552A	08-8-157-150	
4ME32603	08-8-158-150	14MK-2603AZ
4ME4658	08-8-159-150	14MK-4658AZ
4ME32615	08-8-160-150	14MK-2615AZ
4ME32616	08-8-161-150	
4ME583M2	08-8-162-222	
4ME583M	08-8-163-220	
4ME5110A	08-8-164-150	
4ME41037M2	08-8-165-222	
4ME33095M2	08-8-166-222	
4ME33070M	08-8-167-220	
4ME580M2	08-8-168-222	
4ME2991P16	08-8-300-221	
4ME2991P9	08-8-301-221	
4ME22037	08-8-304-151	
4ME2991P17	08-8-304-221	
4ME21408	08-8-305-151	14MK-1408
4ME21409	08-8-306-151	14MK-1409
4ME2991P5	08-8-307-221	
4ME2991P6	08-8-308-221	
2ME3102	08-8-400-280	
2ME3104	08-8-401-290	
2ME3104P5	08-8-401-290	
2ME3135M	08-8-401-290	
2ME-336B	08-8-402-270	
2ME49M	08-8-403-300	
4ME595M3	08-8-540-220	
4ME579M2	08-8-541-222	
4ME33098M	08-8-600-220	
4ME33072M	08-8-601-220	
4ME584M	08-8-601-220	
4ME33063M44	08-8-700-222	
4ME33063M5	08-8-701-220	
4ME33063M34	08-8-702-220	
4ME33063M3	08-8-703-222	
4ME33096M5	08-8-704-222	
4ME33063M12	08-8-705-222	
13ME518M	08-8-850-296	
13ME522M	08-8-851-296	
13ME510M	08-8-852-299	

Dynaflex Products old number quoted reference for only please order using new supersede number.

STERLING

OEM PART NUMBER	DP PART NUMBER	DP OLD PART NUMBER
XC45-5A281-BA	10-8-001-221	
01-14596-008	10-8-001-221	
01-14596-000	10-8-003-221	
1010-001	10-8-003-221	
186917	10-8-003-221	
23-09459-005	10-8-025-225	
A04-09364-000	10-8-026-225	
CI U500Z	10-8-026-225	
A04-22177-000	10-8-041-325	
04-20164-000	10-8-042-151	
04-20219-000	10-8-043-225	
A04-17379-000	10-8-044-305	
04-21778-001	10-8-051-151	
04-21778-000	10-8-051-221	
04-21778-002	10-8-051-226	
ABF-N35 04-20289-000	10-8-052-220	
E1HZ 5A231-H	10-8-054-221	
EOHT-5A272-BA	10-8-054-221	
TCP-A40AFE	10-8-055-150	
ABP-N35-A40AF	10-8-055-150	
TCP-A50AFE	10-8-055-220	
F6HZ-5A231-EA	10-8-056-152	
D7HT-5A290-DB	10-8-061-008	
MMP-FJ2025	10-8-062-222	
04-17097-001	10-8-062-222	
F6HT-5C264-NA	10-8-071-290	
F6HZ-5C264-NA	10-8-071-290	
F6HT-5C264-BA	10-8-072-290	
F6HZ-5C264-BA	10-8-072-290	
F6HT-5C264-CA	10-8-073-290	
F6HZ-5C264-CA	10-8-073-290	
A04-12111-001	10-8-074-295	
MMP FM5265	10-8-074-295	
D7HT-5B204-AA	10-8-075-222	
D8HZ-5A231C	10-8-075-222	
681-490-00-42	10-8-076-295	
A04-24246-000	10-8-076-295	
F7HT-5C264-MA	10-8-077-221	
F7HZ-5C264-MA	10-8-077-221	
04-16566-003	10-8-085-229	
04-16566-006	10-8-086-229	
A04-19824-000	10-8-101-220	
04-22367-000	10-8-102-220	
04-22317-000	10-8-103-220	
04-22167-000	10-8-104-220	
04-22315-000	10-8-105-220	
04-22268-000	10-8-106-150	
XC45-5246-DB	10-8-107-150	
XC42-5218-DA	10-8-107-150	

OEM PART NUMBER	DP PART NUMBER	DP OLD PART NUMBER
04-19734-000	10-8-107-150	
A04-23157-000	10-8-108-221	
04-21569-001	10-8-150-220	
04-19750-001	10-8-151-222	
04-22338-000	10-8-152-220	
04-22284-000	10-8-153-220	
04-22284-001	10-8-153-222	
04-20790-001	10-8-154-222	
04-22169-000	10-8-155-220	
04-22348-000	10-8-156-220	
04-22424-001	10-8-157-220	
F8HT-5D209-CA	10-8-158-150	
F6HZ-5A212-AD	10-8-158-150	
04-19751-000	10-8-158-150	
04-22516-000	10-8-159-220	
04-19104-014	10-8-300-151	
F6HT-5B286-CB	10-8-301-151	
F6HZ-5B286-CB	10-8-301-151	
04-19105-012	10-8-301-221	
04-19105-015	10-8-302-221	
FG-5225-LA	10-8-401-290	
FG-25338A	10-8-401-290	
04-21774-004	10-8-402-290	
F6HT-5225-44	10-8-403-290	
F6HZ-5230-BA	10-8-403-290	
FG-25759A	10-8-403-290	
04-22667-000	10-8-404-300	
04-22168-000	10-8-600-220	
04-22182-001	10-8-601-150	
04-22280-001	10-8-602-220	
04-23146-000	10-8-603-221	
04-23149-001	10-8-604-220	
04-23145-000	10-8-605-220	
04-09322-039	10-8-700-220	
04-09322-038	10-8-700-220	
04-09550-056	10-8-701-222	
RKR SP0 508 60PL	10-8-701-222	
E04-12921-049	10-8-702-222	
RKR-AA500-48PL	10-8-702-222	
F6HT5263ADA	10-8-703-222	
E04-12921-052	10-8-703-222	
ABP-N49-50CS260C	10-8-703-222	
F8HS-5263-DA	10-8-703-220	
E04-12921-032	10-8-704-222	
RKR-AA500-36PL	10-8-704-222	
F6HT-5C229 HA	10-8-850-226	
F6HZ-5C229 HA	10-8-850-226	
F7HZ-5290-AA	10-8-851-296	
F7HT-5290-DA	10-8-851-296	

General Terms and Conditions

Effective July 1, 2008

Through continual development Dynaflex Products has an on going development program where twelve to fifteen parts are being developed weekly, to this effect some parts shown are not always currently available as they may be under development due to the fact that the catalog is printed with a future vision in mind.

Minimum Order

A \$100.00 minimum order is required to process any order. Any order placed not at the minimum will automatically be billed at the minimum order requirement.

Quantity

Sold in Standard Cartons only (a 10% surcharge will be added for broken case quantities).

Terms

1% - 10, Net 30 days with approved credit (All export shipments to be paid in U.S. dollars).

Credit

All orders will be shipped COD, or cash in advance, unless an open account has been established.

Freight – USA only

Please refer to our website for the latest and most current policies with regards to freight and distribution cost.

Freight – Export only

Freight Collect

(All shipping costs, including, duties, brokerage fees, drayage, etc. will be at purchaser's cost).

Shipping Locations

Main Warehouse – Los Angeles, CA

Regional Warehouse – Dallas, TX

Additional Regional Warehouses are under development please refer to our website for further information.

Shipping Errors

Only merchandise shipped in error will be exchanged or qualify for a credit. Goods must be returned prepaid within 30 days of receipt with a Return Goods Authorization (RGA). Dynaflex Products has the right to inspect goods prior to shipment for issuance of credit. Upon acceptance for responsibility by Dynaflex Products, all shipping charges will be credited. The merchandise must be carefully wrapped and boxed to prevent damage. Ship freight prepaid to Dynaflex Products (location of shipping destination to be determined by a Dynaflex Products factory representative only).

Returns and Adjustments

Dynaflex Products will allow up to one stock return per year, not to exceed 5% of the previous years purchases. Each approved return will require a 15% restocking charge and a two for one offsetting order. Only current catalog items in resalable condition, and boxed will be allowed credit. All returns must have prior written approval. Obsolete parts will be accepted up to 12 months following the date discontinued in the current price list. Non-cataloged or custom ordered items are not returnable. Returns will be credited at the lower of the current or January 1, 2008 price list. Annual returns will only be accepted within the appointed quarter in which your company name begins with.

Price

Prices may change without notice.

Customers:

A – F: First Quarter

G – K: Second Quarter

L – Q: Third Quarter

R – Z: Fourth Quarter

A written copy from Dynaflex of the Return Goods Authorization (RGA) is required prior to returning merchandise. All returns must be shipped prepaid to Dynaflex, Commerce, CA and have the RGA number clearly and boldly marked on the outside of the shipping box (s) or the shipment may be rejected. An RGA is only valid for 30 days after being issued if received after this time frame the shipment will be rejected.

All shipping costs, including duties, brokerage fees, drayage, etc., will be at purchaser's cost.

Special Order Products

Returns on special order products will only be allowed for defects in material or workmanship as covered under the Limited Warranty section of these terms and conditions.

Claims

Only Prepaid Freight Claims will be considered. Damaged or short package claims must be reported in writing within 15 Days of receipt of order to claims@dynaflexproducts.com or our customer service department at 800-334-3363. Freight Collect claims must be reported directly to freight carrier and are the responsibility of the customer.

Warranty Claims

Dynaflex Products warrants the products or components parts sold conform to the specifications and physical descriptions contained in any or all Dynaflex Product literature, including but not limited to product catalogs, flyers or individual sale sheets. The Limited Warranty appearing on any or all Dynaflex Product literature is exclusive and is in lieu of all warranties whether written, oral or implied, including any warranty on fit or purpose.

Limited Warranty

This warranty applies to and is for the benefit of the **original purchaser only**.

Dynaflex Products are warranted for one year from date of purchase with proof of purchase only. If proof of purchase cannot be supplied, then the warranty will be from date of shipment, against defect in material and workmanship. This warranty does not apply if the defects are due to accident, neglect, corrosive environments or other abnormal service conditions.

This warranty is limited to the provisions shown and Dynaflex Products does not assume responsibility for the cost of removal or installation of the product or any consequential expense.

Should the product appear to be defective within the warranty period, it should be returned to any participating dealer selling Dynaflex Products. If their inspection confirms that the product failed as result of material or workmanship, and Dynaflex Products accepts responsibility the product will be replaced at no charge.

****These Terms and Conditions can change at any time without prior notice.**



Dynaflex Products

6466 Gayhart Street,
Commerce, CA 90040

Tel: 800.334.3363

Fax: 323.838.1332

www.dynaflexproducts.com

Factory Distribution Center

Southwest Regional Warehouse

15015 Beltwood Parkway Warehouse

Addison, TX 7500-3716

1800-334-3363 Option#9

